

INSET BATH/SPA BATH WITH TILE BEAD - Premium Sanitary Grade Acrylic, High Gloss White

The Como's elegant, simple lines create the perfect balance of form & function. Additionally this bath base has been reinforced with a resin & fiberglass coating for superior sturdiness & durability. End waste position.

- Molded arm rests
- Lumbar support
- Suitable for dual bathing
- Slip resistant pattern



COMO BATH

SIZE (l) x (w) x (d) mm	CAPACITY*	NET WEIGHT	CODE
1520 x 760 x 440	124L	19kg	PPC1520M2W
1650 x 760 x 440	139L	21kg	PPC1650M2W
1800 x 760 x 440	156L	25.5kg	PPC1800M2W

- 15 YR WARRANTY*
- AS/NZ Standard 2023/1995
- Steel rod reinforced rim
- Double reinforced bath base



COMO SANTAI SPA BATH ● 10 JETS

SIZE (l) x (w) x (d) mm	CAPACITY*	NET WEIGHT	CODE
1520 x 755 x 445	124L	34kg	PPC1520M2SAN10J
1665 x 755 x 445	139L	36kg	PPC1650M2SAN10J
1790 x 755 x 485	156L	39kg	PPC1800M2SAN10J

- 10 YR WARRANTY* - SPA SHELL
- 5 YR WARRANTY* - PUMP, JETS & FITTINGS
- AS/NZ Standard AS3861/1991
- Steel rod reinforced rim
- Double reinforced bath base
- 6 x low profile Mod centro jets
- 4 x low profile Mod mini jets
- 1 x low profile Mod suction
- 1 x Mod power button (rim mounted)
- 2 x Mod air controls (rim mounted)
- 750 watt auto heat boost pump



COMO CONTOUR SPA BATH ●● 12 JETS

SIZE (l) x (w) x (d) mm	CAPACITY*	NET WEIGHT	CODE
1520 x 755 x 445	124L	34kg	PPC1520M2CNPAW
1665 x 755 x 445	139L	36kg	PPC1650M2CNPAW
1790 x 755 x 485	156L	39kg	PPC1800M2CNPAW

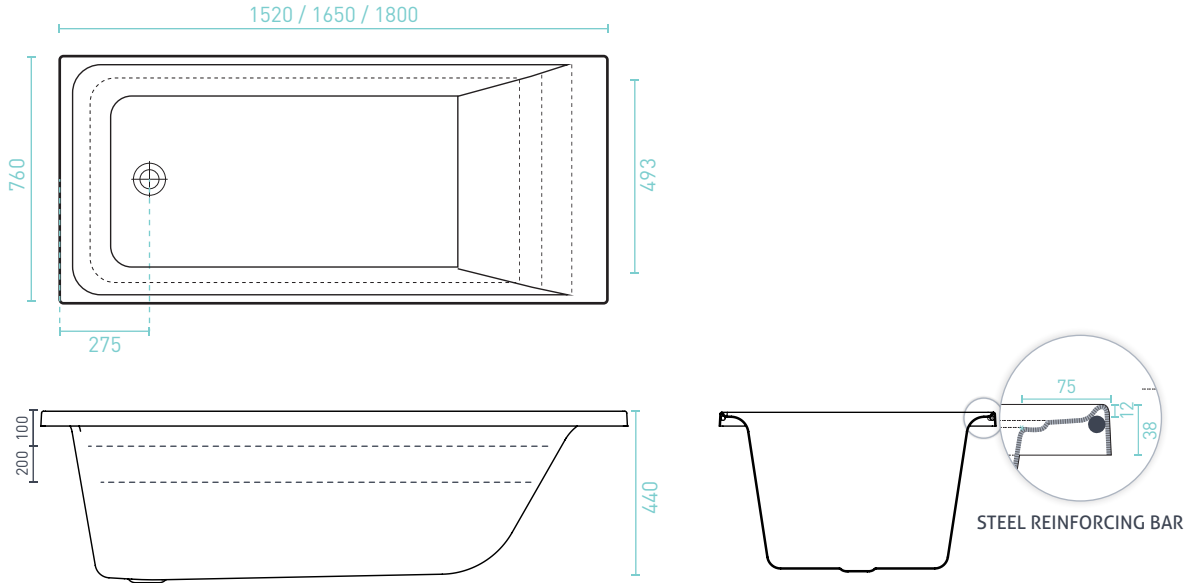
- 10 YR WARRANTY* - SPA SHELL
- 5 YR WARRANTY* - PUMP, JETS & FITTINGS
- AS/NZ Standard AS3861/1991
- Steel rod reinforced rim
- Double reinforced bath base
- 6 x flush C-Lenda™ centro jets
- 6 x flush C-Lenda™ mini jets
- 2 x flush C-Lenda™ air controls
- 1 x flush C-Lenda™ suction
- 1 x Sensa-Touch pad control (rim mounted)
- 750 watt 3-stage heat boost pump

COMO ACCESSORIES	BATH	SANTAI SPA BATH	CONTOUR SPA BATH
EZI Frame/Base Support Frame	Optional	Optional	Optional
FIORE Headrest (Black/White)	Optional	Optional	✓ x 1
Overflow	Optional	Optional	Optional
Plug & Waste	Optional	Optional	Optional

*Capacity 200mm below the bath rim

COMO

INSET BATH/SPA BATH WITH TILE BEAD - Premium Sanitary Grade Acrylic, High Gloss White



SPA BATH ORDER FORM

Spa baths are made to order on receipt of the order form & are non-refundable. Please allow 15 working days for completion & dispatch. We recommend filling out your SPA BATH ORDER FORM with your qualified spa bath installer.

COMPANY & BRANCH: _____ PHONE NO: _____

CONTACT: _____ ORDER NO: _____ DATE: _____

MODEL: _____ SIZE: _____ QTY: _____ RANGE SANTAI CONTOUR

SANTAI SPA BATH OPTIONS

- PUMP UPGRADE Manual Xtra-Heat Boost Pump (RRP \$215)
- PUMP UPGRADE Sensa-Touch Pad Control 3-Stage Heat (RRP \$425)
- EZI FRAME (RRP from \$115) Supplied Factory Fitted (Additional cost)
- BASE SUPPORT FRAME Factory Fitted (RRP \$325)
- HEADRESTS (RRP \$99 each) White QTY: _____ Black QTY: _____
- OVERFLOW (RRP from \$120)

CONTOUR SPA BATH OPTIONS

- EZI FRAME (RRP from \$115) Supplied Factory Fitted (Additional cost)
- BASE SUPPORT FRAME Factory Fitted (RRP \$325)
- HEADREST COLOUR (NO additional cost) White Black
- OVERFLOW (RRP from \$120)

SPA PUMP NOTES

- The spa pump does not fit directly in the baths perimeter (allow 100mm)
- The spa pump must be easily accessible for maintenance
- Waste positions can not be changed
- The spa pump controls will always be at the front, unless indicated below
- We recommend spa pumps installed outside are fitted with a Spa Pump Cover (RRP \$199)

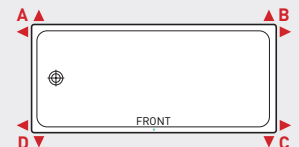
----- Please refer to the technical drawings before choosing your spa pump position, as spa bath waste & pump positions CAN NOT be customised -----

1. CIRCLE YOUR PUMP POSITION A / B / C / D ON THE DIAGRAM

300mm of pipework & 2 elbows are supplied to install the pump in the correct orientation. If extra pipework is required, how much? _____mm (max. recommended distance between the spa bath & pump is 1.2m)

2. CROSS (X) YOUR SHOWER HEAD POSITION ON THE DIAGRAM (if applicable)

Spa pump controls can not be on the same end as the shower.



CUSTOMER NAME: _____ CUSTOMER SIGNATURE: _____

CUSTOMER EMAIL: _____ CUSTOMER PHONE NO: _____

*Whilst every effort is made to adhere to published jet & fittings positions, variation to specifications may occur without notice.