

Gill Basin Mixer

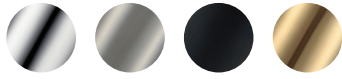
ZGL707

WELS: 5 stars

Litres/minute: 5.0L

WELS License/Reg. No: 0023 / T42204

Finishes available:

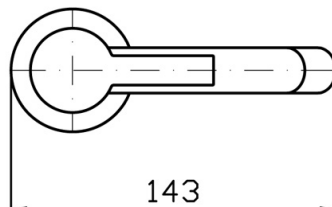
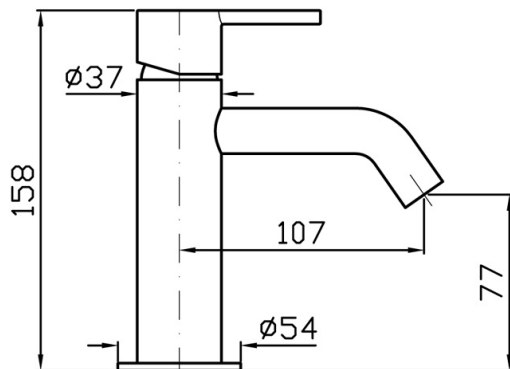


Chrome Brushed Nickel (C3) Matte Black (N6) Brushed Brass (C41)



CARE AND MAINTENANCE

- All surfaces should be frequently cleaned with a mixture of mild, pH neutral soap and warm water with a soft cloth
- Do not use abrasive clothes, scouring pads on surfaces
- Do not use harsh cleaning agents i.e. cream cleaners or citrus based cleaners (*see cleaning leaflet for comprehensive list*)



WARRANTY
15 years

*Conditions apply.

stream|line

www.streamlineproducts.com.au | Ph: 1300 735 352

Dimensions are in millimeters and are subject to manufacturing variations. Streamline Products reserves the right to vary specifications at any time without notice. Information provided within this specification sheet is correct at the date of printing. Please confirm all particulars with your sales consultant prior to purchase. Version: 1.0 - September 2023