

# URBAN

UBG620-86



UBG620-86 MB



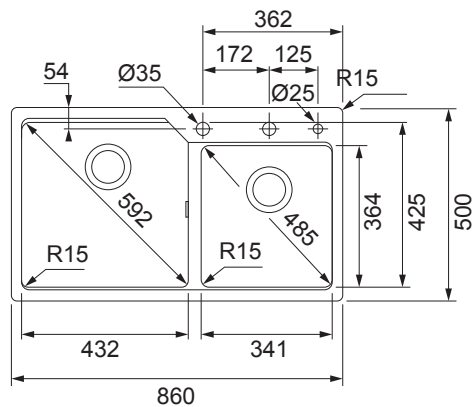
UBG620-86 ON



UBG620-86 PW



UBG620-86 SG



## PRODUCT INFORMATION

<b>Installation</b>	Topmount
<b>Dimensions</b>	860 x 500mm
<b>Cabinet Base</b>	900mm
<b>Bowl Size</b>	432 x 425 x 230mm / 42L 341 x 364 x 220mm / 27L
<b>Bowl Radius</b>	15mm
<b>Cut-Out Size</b>	824 x 464mm, cr=15
<b>Cut-Out Template</b>	No
<b>Waste Outlet</b>	Semi Integrated Waste
<b>Overflow</b>	Yes
<b>Tap Holes</b>	ø35mm
<b>Remote Waste</b>	No
<b>Finish</b>	Fragranite
<b>Warranty</b>	50 Years

**NOTE:** Cut-out dimensions are a guide only, please use the actual sink as your template.

## FEATURES & BENEFITS



Food Preparation Centre



Fragranite



Fast Fix Installation



Franke Overflow



Sanitized® Surface

## ALL-IN ACCESSORIES (AVAILABLE)

<b>PACK 1</b>					
	Telescopic Bridge	Chopping Board	Small Strainer Bowl	Small Storage Box	Bamboo Lid
<b>PACK 2</b>	All Accessories Included In Pack 1				
			Silicon Drainer Mat		
<b>PACK 3</b>	All Accessories Included In Pack 2				
			Large Strainer Bowl	Storage Container	

**ADDITIONAL ACCESSORIES** — Included Accessory - - - - Available Accessory



**DT360**  
Extension Drainer



**RM44**  
Rollamat

BARE SINK OPTION AND SOME SINK & TAP PACKAGES DO NOT INCLUDE ACCESSORIES. PLEASE CHAT TO YOUR SALES CONSULTANT FOR FURTHER INFORMATION.

LAST UPDATED: 15 MAY 2023

