

stylus CORNER BATH

CARE & INSTALLATION GUIDE



In Australia
For more information call **13 14 16**
or go to **www.stylus.com.au**

* For full warranty terms and conditions,
please visit www.stylus.com.au

In New Zealand
For more information call **0800 804 222**
or go to **www.stylus.co.nz**

* For full warranty terms and conditions,
please visit www.stylus.co.nz



**PLEASE LEAVE THIS GUIDE
WITH THE END USER**

WARNING:

Before commencing installation, please read these instructions carefully. Installation must comply with all State By-Laws and any requirements imposed by local authorities.

Congratulations on the purchase of your new Stylus bath. We are sure you will have many years of relaxation, turning your bathroom into a stylish retreat.

STYLUS ACRYLIC CORNER BATHS

All our products are made from sanitaryware grade acrylic. It resists chipping, will not rust and has excellent heat retention properties. Its high gloss finish has natural slip resistance.

All dimensions are in millimeters and are subject to normal manufacturing variations. Therefore, Stylus reserves the right to vary specifications without notice.

CLEANING YOUR BATH

- To preserve the polished surface, after using your bath, clean with soft cloth and warm soapy water to wash away any body oils or soap residue that forms a ring tide mark.
- As a weekly cleaner we recommend warm, soapy water. Do not use powders, pastes, cream cleaners, thinners, window cleaning sprays or dry cleaning liquid, etc.
- Stubborn marks or fine scratches may be polished out with Brasso.
- When coloured essentials oils are used, first test that the colour won't stain your bath. Always add oils into a bath full of water. Never pour them into an empty bath.

WARNING

BEFORE COMMENCING INSTALLATION, PLEASE READ THESE INSTRUCTIONS CAREFULLY. INSTALLATION MUST COMPLY WITH ALL STATE BY-LAWS AND ANY REQUIREMENTS IMPOSED BY THE LOCAL AUTHORITIES

WARNING

NO PUTTIES OR SILICONES CONTAINING LINSEED OIL ARE TO BE USED AS SEALANTS ON THE WASTE. WE RECOMMEND SANITARY GRADE SILICONE.

RECEIVING YOUR BATH

- Unpack and check for damage.
After receiving your bath, please unpack and remove all plastic covering, checking carefully for any damages. Repack the bath if it is not being immediately installed. Caroma reserves the right to reject any claim for damage if not notified in a timely manner.
- Protect your bath.
Before commencing installation, ensure the bath is completely protected, leave protection film in place until the bathroom is complete. Scratches and cracks incurred during installation are not covered by the warranty.

All materials to comply with appropriate Australian & NZ Standards.

STEP 1

Adjust the bath feet until the bath tub base is 3mm above the floor when the floor is finished. This can be done by turning the feet bolts accordingly.

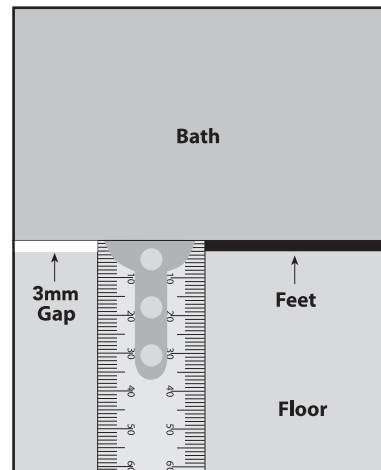


Figure 1

Feet set at 3mm above the floor

STEP 2

Ensure the bath is level. Re-adjust feet at the bottom if necessary. Refer to Figure 2 and Figure 3.

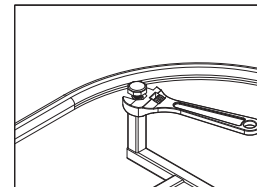


Figure 2

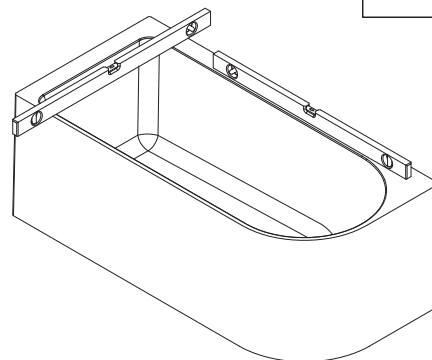


Figure 3

STEP 3

Carefully tilt bath on its side and use Flexi-Dinger to connect the waste outlet to the drain, as illustrated in Figure 4. Make sure to cut the Flexi-Dinger to correct length for ease of installation and to prevent it from bowing upward, as this will result in drainage issue.

Be sure to protect the bath surface. Damage during installation is not covered by warranty.

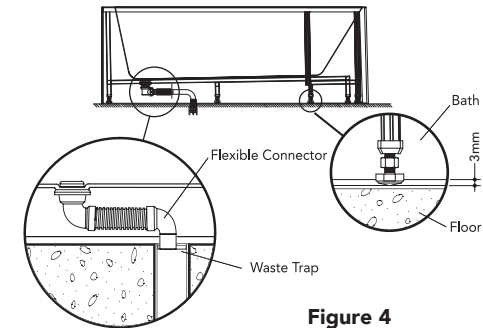


Figure 4

Flexi-Dinger installation

STEP 4

When the bath is in position and the installation is complete, apply a bead of silicone sealant around the bottom of the bath to secure it to the floor. When applying silicone around the base surrounding, leave a 20mm gap in an inconspicuous position. Refer to Figure 5. Bath should be secured to the wall by applying silicone sealant around the edge. Refer to Figure 6 and Figure 7.

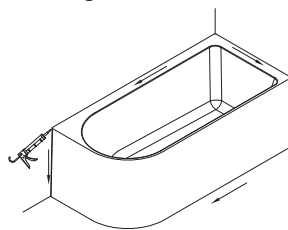


Figure 6

Left hand shelf

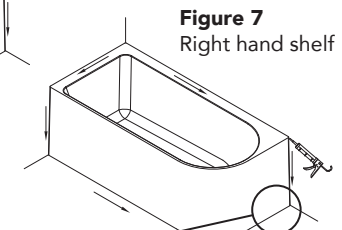


Figure 7

Right hand shelf

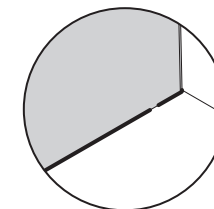


Figure 5

Silicone applied around base surrounding of bath.

STEP 5

Rest the bath for a minimum 24 hours to allow the silicone to fully cure.