

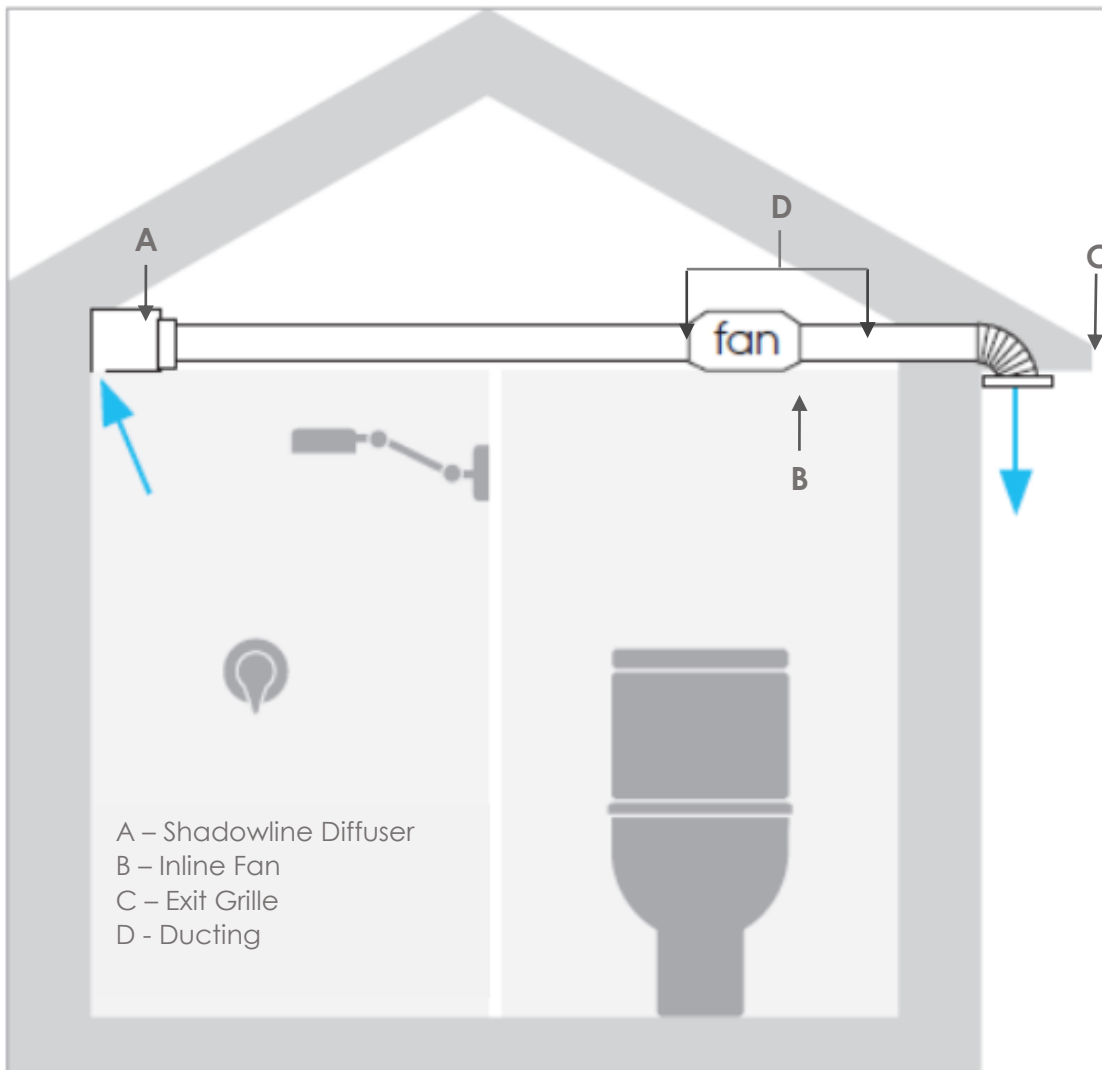


**PRODUCT** 1SLD1000W    **DESCRIPTION:** Shadowline Diffuser - Wall  
**CODE:**



## PRODUCT OVERVIEW

The Shadowline Diffuser is an internal ceiling grille that allows air to be channelled through the ventilation system. This product is designed to be discreet – almost invisible, sitting at the wall/ceiling junction with a narrow slot set into the ceiling allowing air extraction from a domestic wet room.



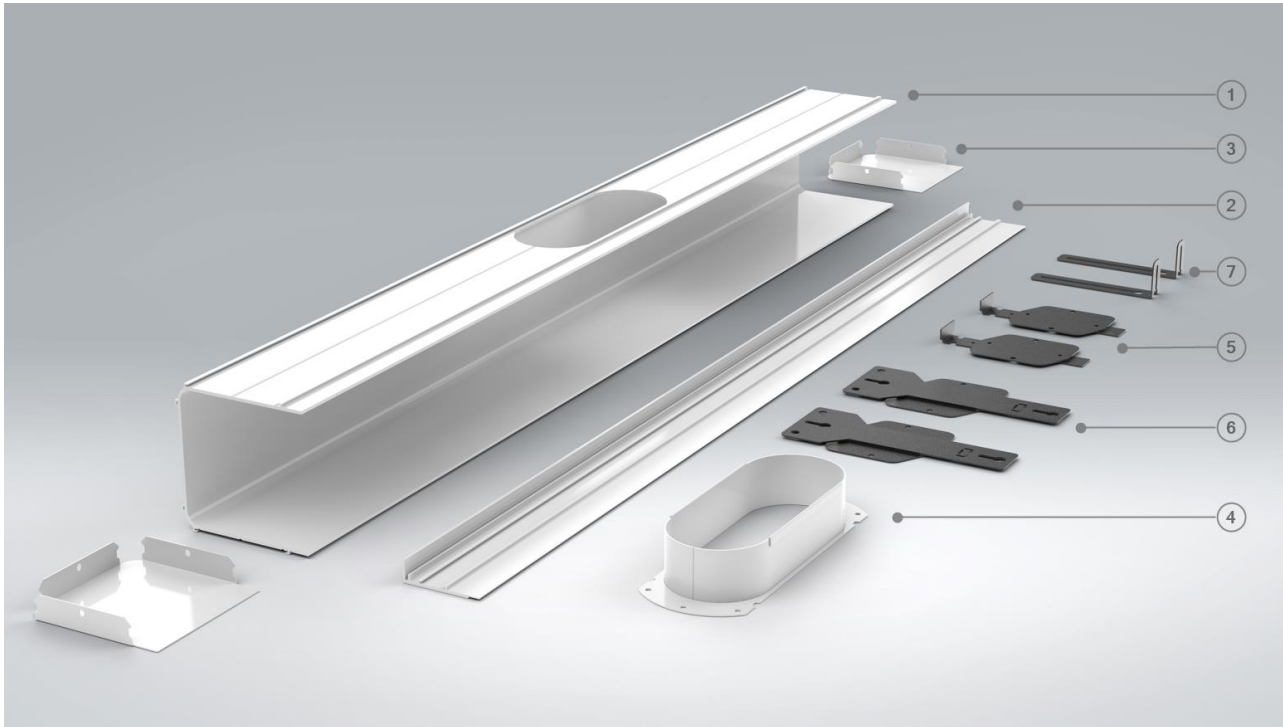
\*Product includes grille only. Fan and duct sold separately. Contact Expella for details.

## FEATURES

- Creates unique detail between wall and ceiling whilst providing an invisible exhaust system.
- Cut to length to suit any wall size.
- Shadowline Diffuser creates a rigid structure that secures the ceiling sheet
- Versatile mounting bracket
  - Compatible with Rondo suspended ceilings
  - Pin to above structure via adjustable brackets
  - Screw to timber structure
- Can be fitted with a typical LED strip light\*

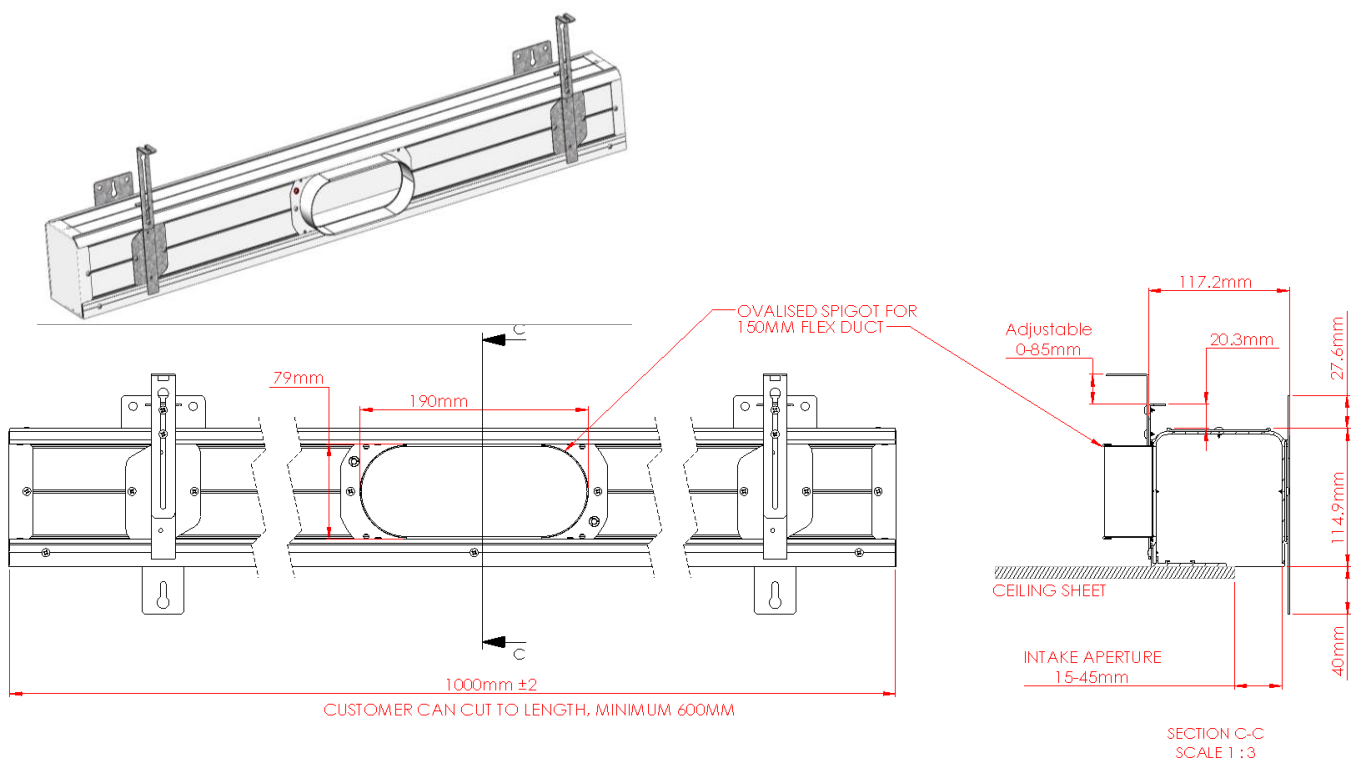
\*Not supplied by or instructed by Expella. Performance of light is not the responsibility of Expella. Consult your electrician prior to installation for advice.

## PACKAGE CONTENTS

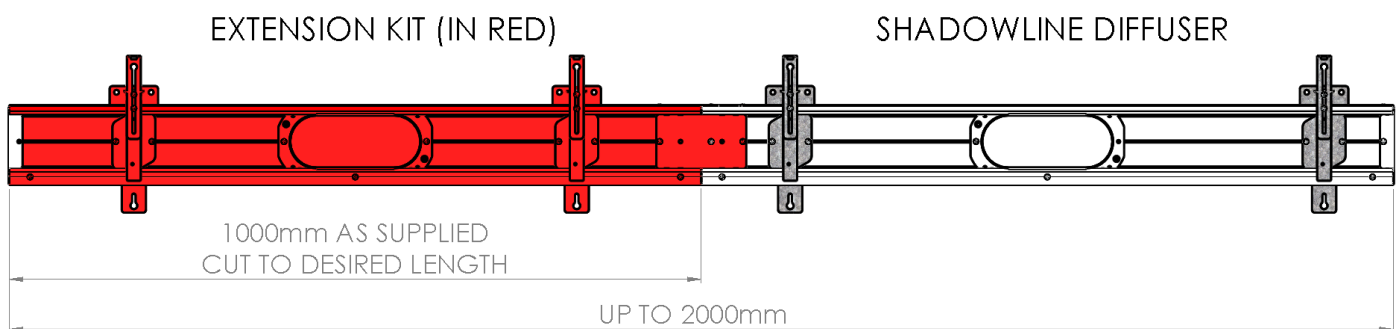
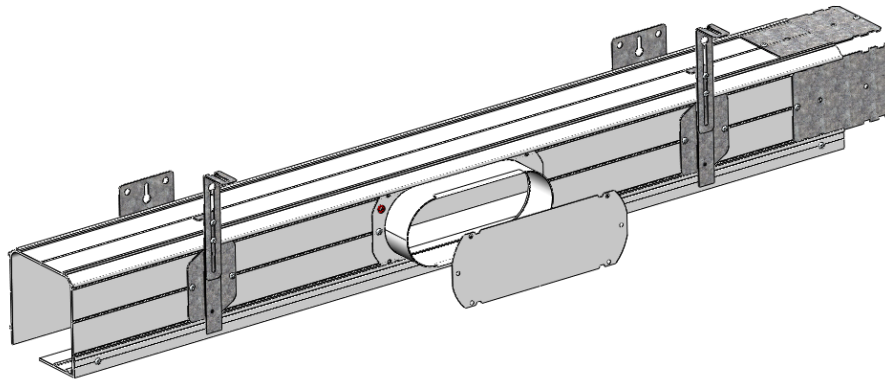


ITEM	PART #	DESCRIPTION	QTY
1	06-0003	Extrusion 17-0001, Cut, Machined and powder coated, Shadowline	1
2	06-0004	Extrusion 17-0003, Cut to length and powder coated, Shadowline	1
3	05-0021	End Cap, Extrusion, Shadowline	2
4	05-0019	Spigot, Oval (150mm Flex)	1
5	05-0025	Front Bracket, 110x110 Extrusion	2
6	05-0024	Rear Bracket, 110x110 Extrusion	2
7	05-0012	Bracket, Adjustable, Shadowline	2
8	15-0011	Screw, Self-tapping, Pan Head Phillips, 6G x 1/4", Zinc	20
9	15-0013	Screw, Self-tapping, Pan Head Phillips, 8G x 3/8", Zinc	4

## DIMENSIONS



FOR LENGTHS GREATER THAN 1 METRE, BUY EXTENSION KIT (PART NUMBER: 1SLD1000WE)

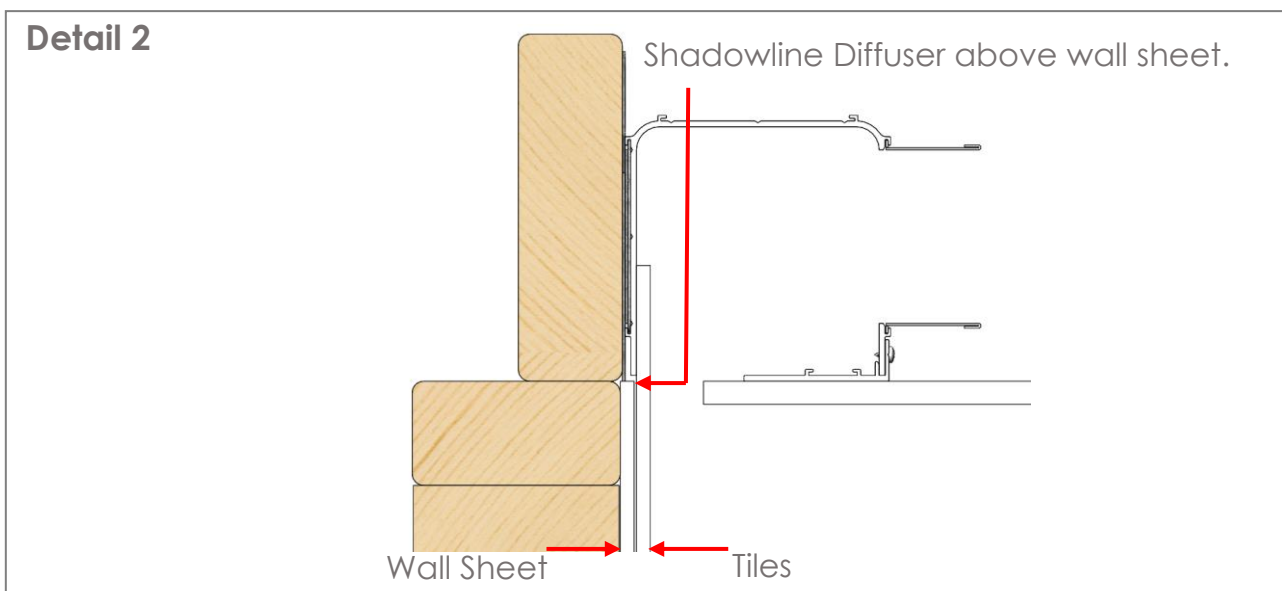
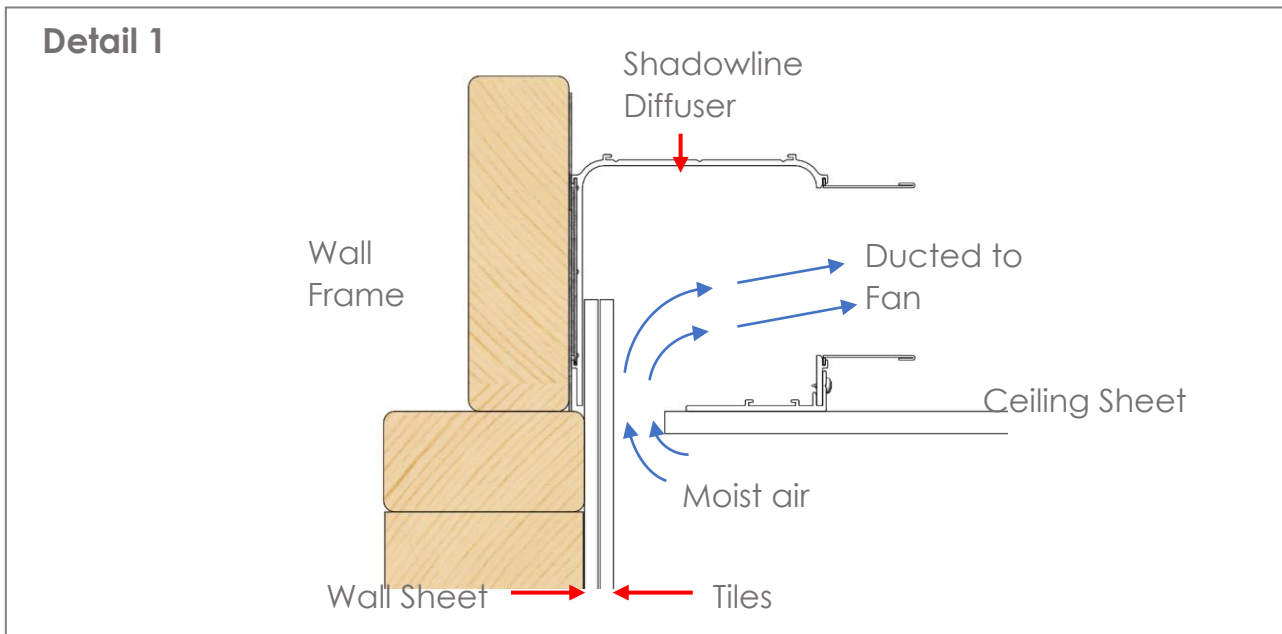


- Spigots are designed for use with 150mm flexible duct.
- Extension kits available to increase length as required (e.g. use 1 Shadowline diffuser and 3 extension kits for a 4m wall).
- Each Shadowline Diffuser comes with one spigot.
- Each extension kit comes with one spigot and one blanking plate.
- For optimal exhaust distribution, use multiple spigots/duct runs.
- Multiple ducts require Y-junctions to join to the inline exhaust fan.
- The spigot position can be changed to any of the 3 faces on the large U-shape extrusion. If so, the supplied spigot hole will need blanking using the spigot blanking plate.

## INSTALLATION

**Important:** Installation should only be carried out by a qualified trades person. It requires the use of power tools which can cause harm if used incorrectly. Expella takes no responsibility for damage caused to the dwelling caused by the installation.

**Recommended:** For best results, the wall with Shadowline diffuser should be constructed such that the wall sheet fits inside the diffuser as indicated below. This hides the interface between these components inside the diffuser body.

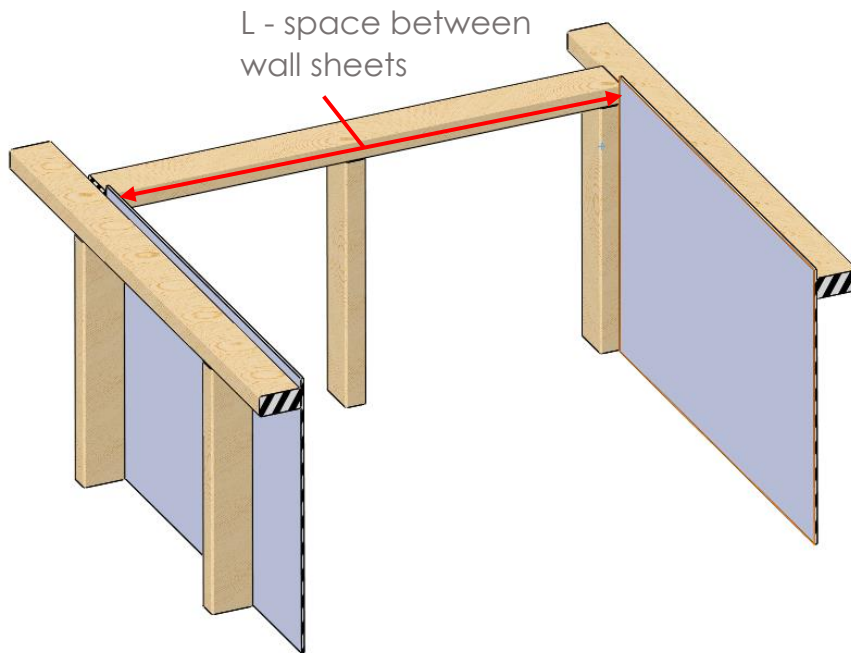


### Tools/fasteners requires

- Safety mask and ear protection
- Drop saw/circular saw with blade suitable for aluminium
- Drill and drill bit (3.2 mm / 1/8")
- Pencil
- Level and tape measure
- Impact driver with Phillips bit
- File
- 8-gauge screws - timber or Tek depending on framing material
- If changing spigot location
  - 75mm bi-metal hole saw

- Jig saw (cutting aluminium)

## Rough In - Walls



When following **Detail 1**, sheet bathroom walls except for wall with Shadowline Diffuser. For **Detail 2**, sheet all walls. Measure the space between the walls where the Shadowline is to be installed. The total Shadowline Diffuser length must be 2 - 5mm less than this to provide some tolerance for fitting.

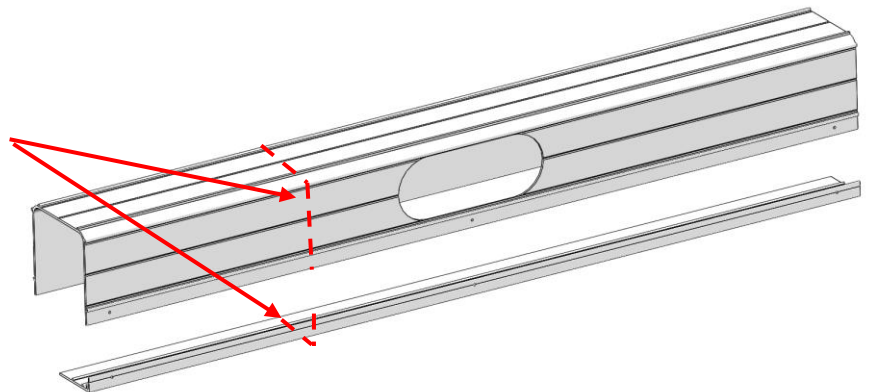
### **WARNING:**

**CUTTING ALUMINIUM WITH POWER TOOLS CAN BE DANGEROUS AND SHOULD ONLY BE CARRIED OUT BY QUALIFIED TRADES PERSONS.**

Note: Assembled Diffuser length equals 2 -5mm less than wall spacing.

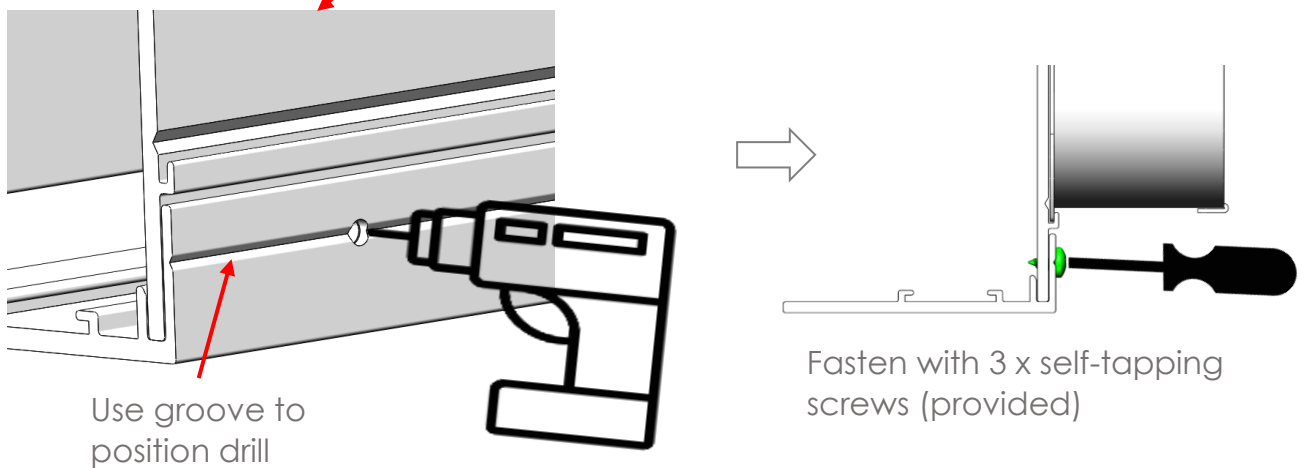
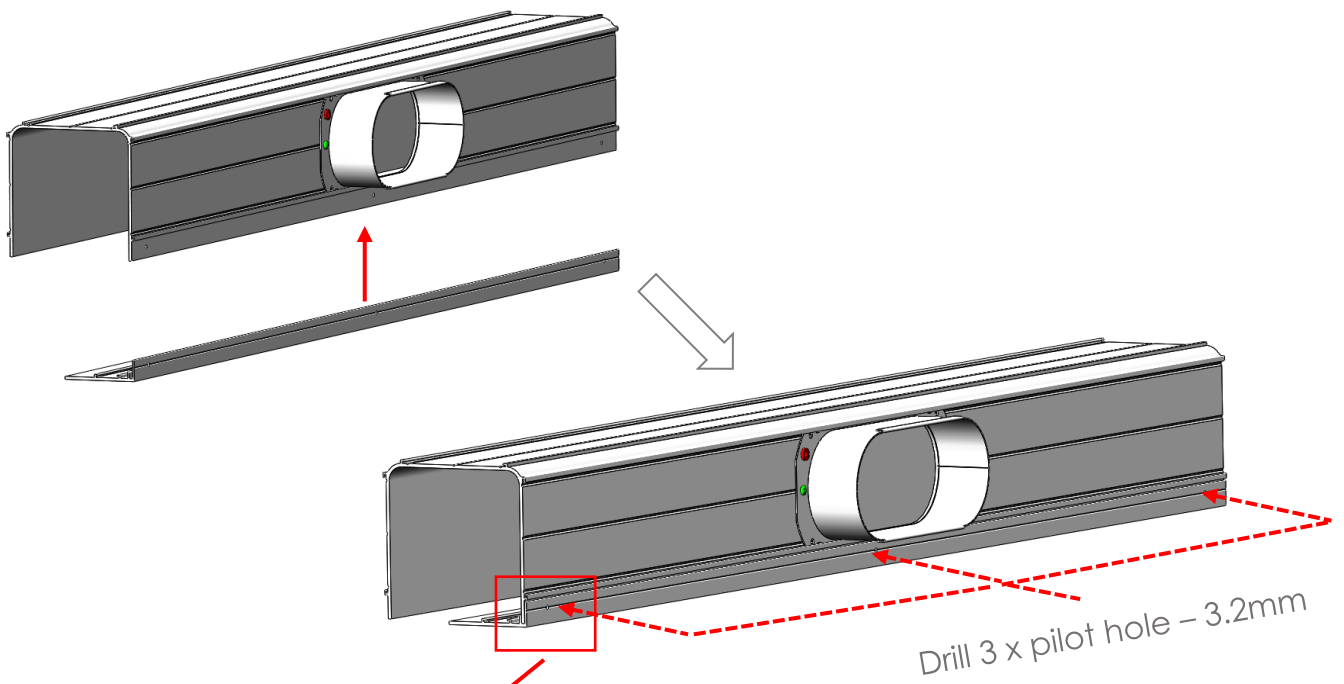
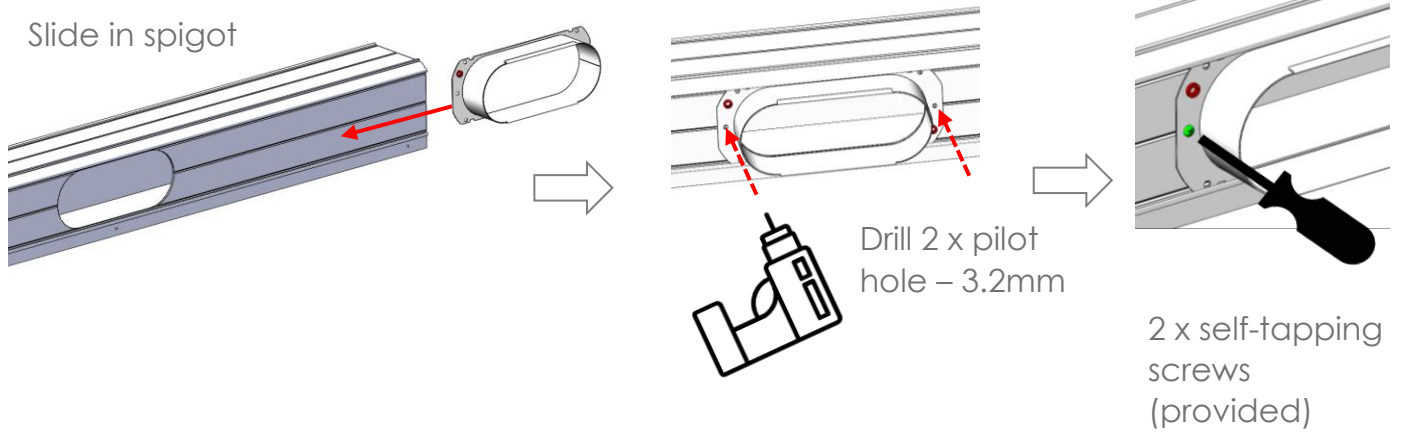
### **Cut both extrusions to Length**

Expella recommend cutting extrusions with drop, table or circular saw fitted with a suitable aluminium blade. Use lubricating wax on the blade. Clean up metal burs with a file.

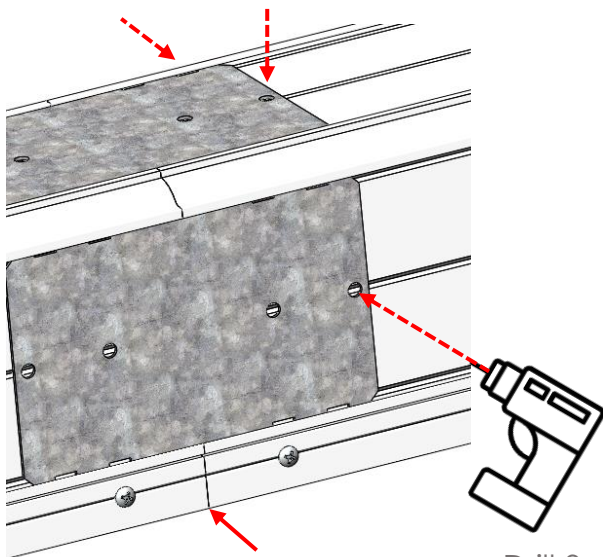
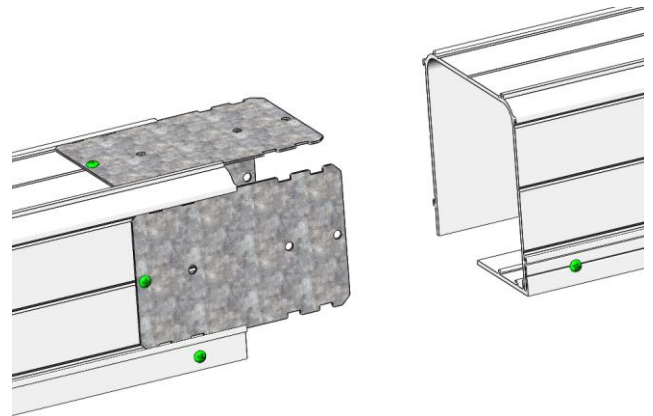
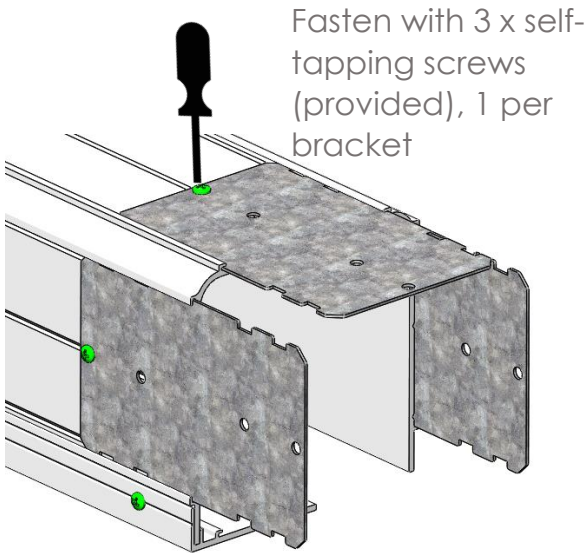
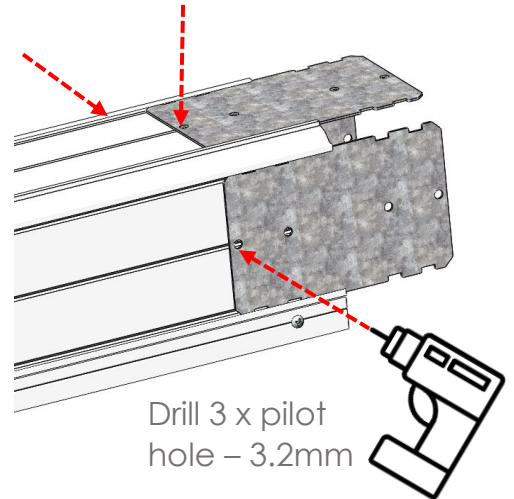
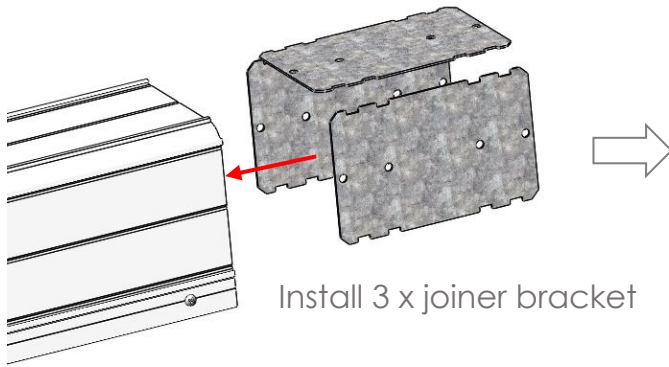


## Assemble Shadowline

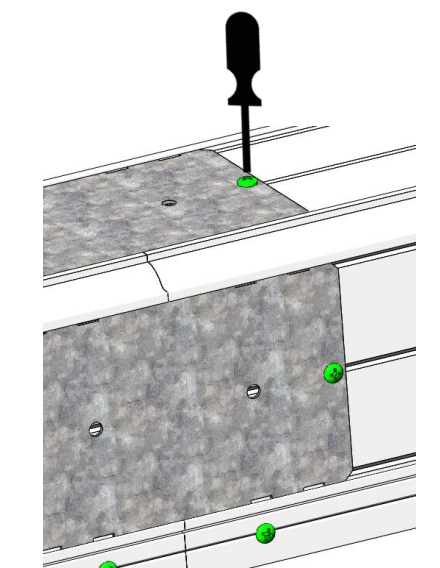
Slide in spigot



To join extrusions:

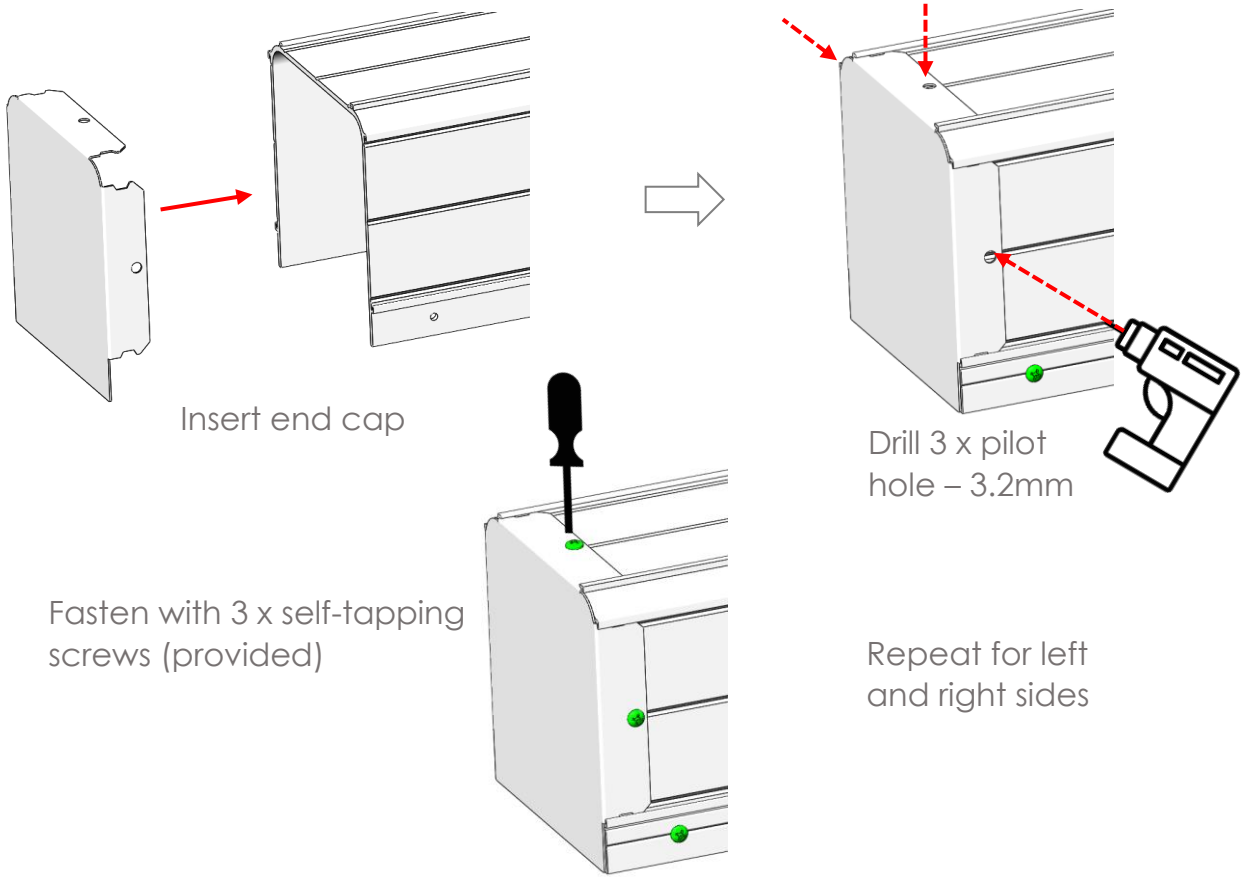


Drill 3 x pilot hole – 3.2mm

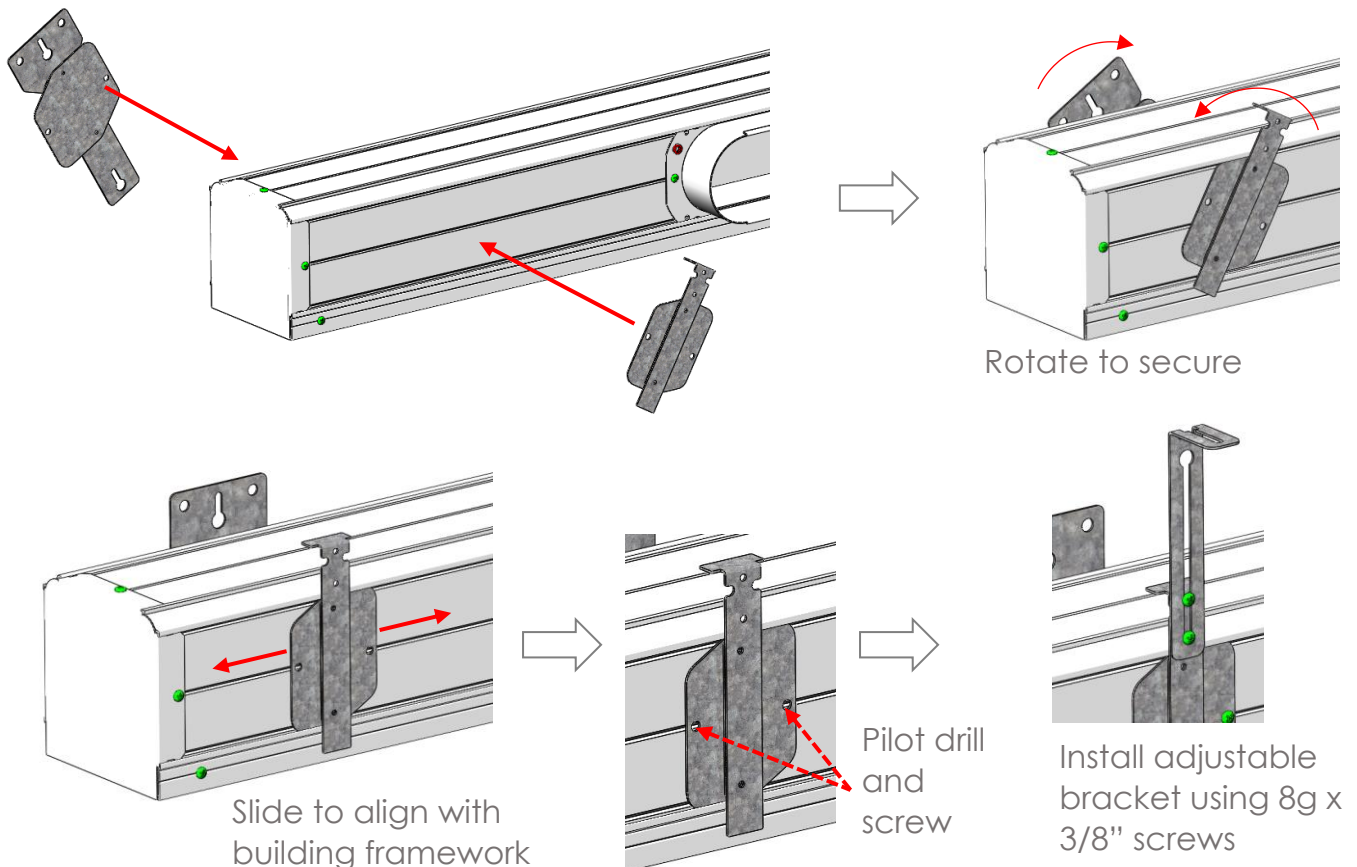




**Install end caps:**

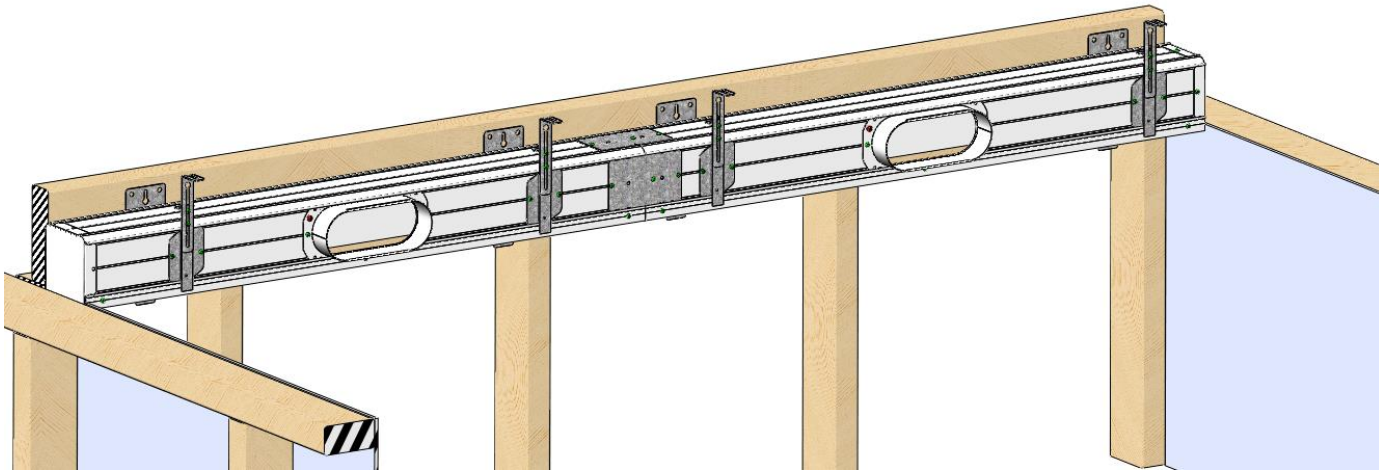


**Install mounting brackets:**



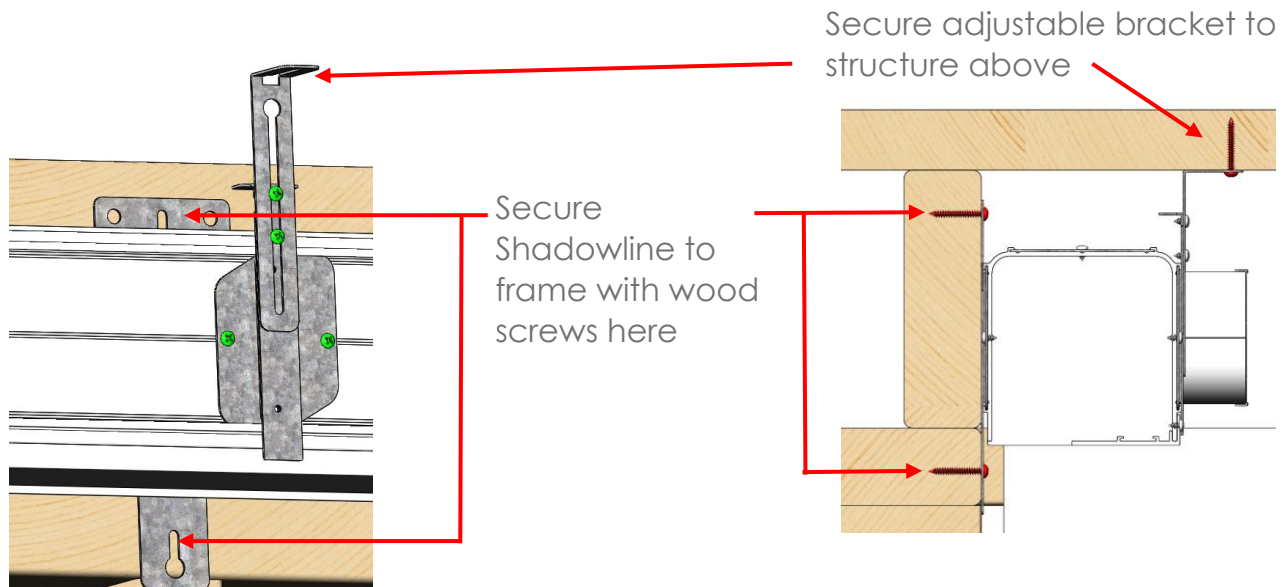
## Install Shadowline Diffuser

Fix to wall frame/ceiling joist/slab.

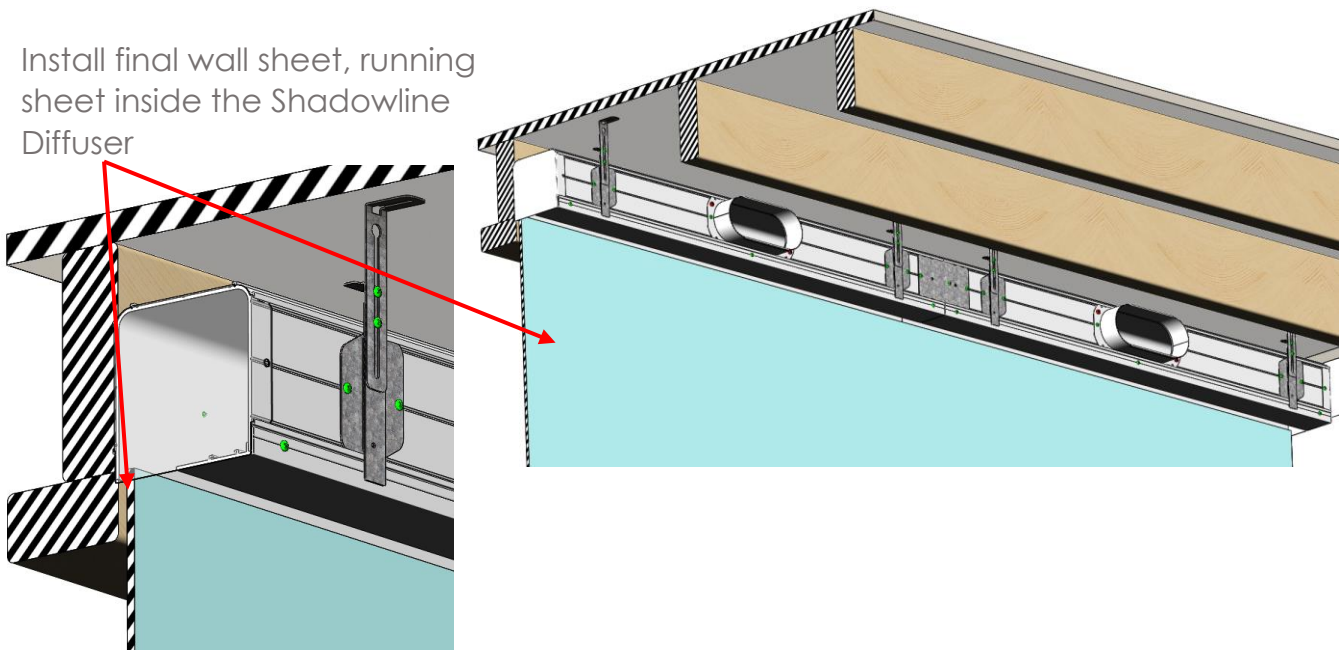


### IMPORTANT:

Rigid installation of the Shadowline Diffuser is important to ensure the ceiling sheet is properly supported.



Install final wall sheet, running sheet inside the Shadowline Diffuser



## Install Fan

Install ducted inline fan (as instructed in fan manual) and connect the Shadowline Diffuser spigot to the fan using flexible duct (150mm). Use a cable tie to deform the duct to the spigot shape. Seal the duct to the spigot with suitable duct tape (we recommend silver tape).

## Sheet Ceiling

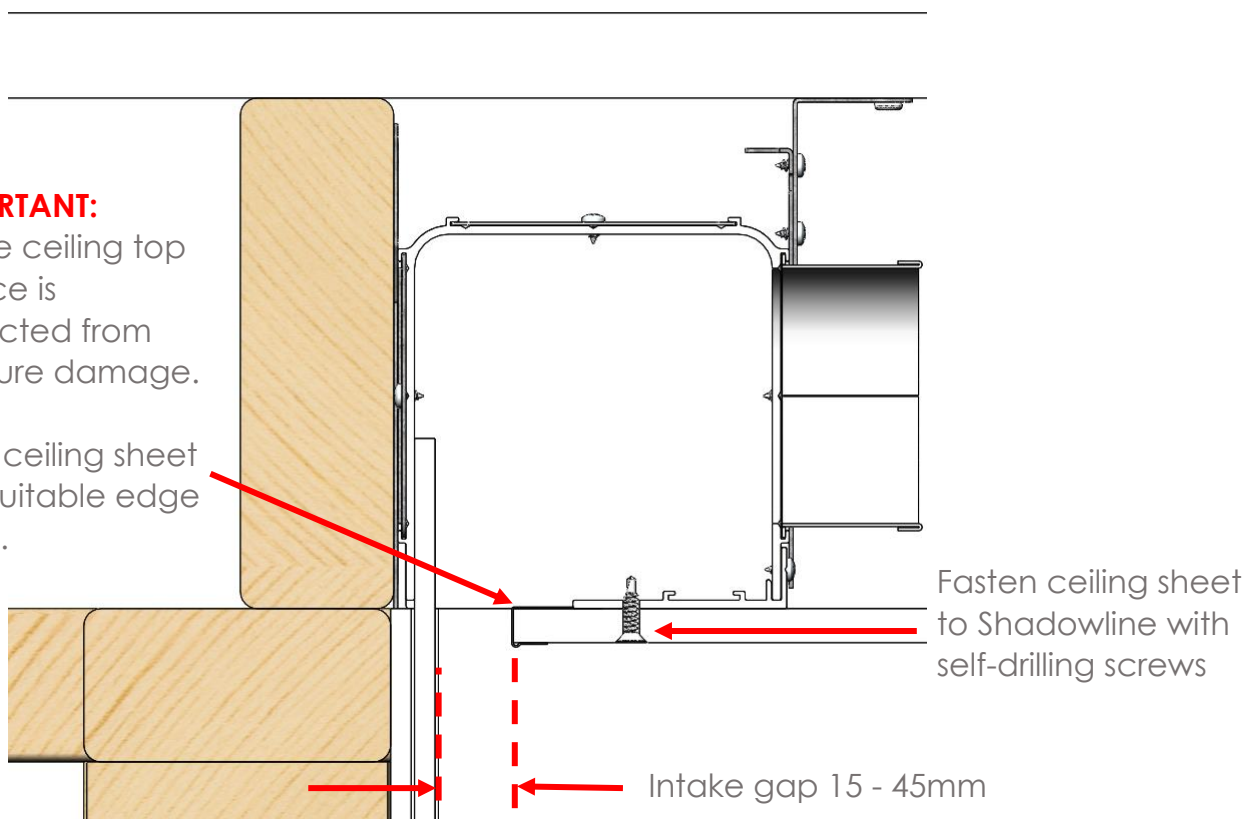
When tiling above the ceiling sheet, tile all walls prior to installing ceiling sheet. On side walls, notch tile around Shadowline. Gap between tile and Shadowline should not exceed 5mm.

**IMPORTANT:** Leave a gap between ceiling sheet and wall for Shadowline detail. This is required for the air intake. See below for detail. Use countersunk self-drilling screws to secure ceiling sheet to Shadowline. Finish ceiling sheet edge with L-bead edging and plaster.

### **IMPORTANT:**

Ensure ceiling top surface is protected from moisture damage.

Finish ceiling sheet with suitable edge bead.



## WARRANTY

2 year warranty from date of purchase

## CONTACT US:

16 Middleton Rd  
Cromer NSW 2099  
Ph: 02 99811622  
Email: [info@expella.com.au](mailto:info@expella.com.au)  
Website: [www.expella.com.au](http://www.expella.com.au)