



REBEL - Single Lever Care Sink Mixer

REB3500D

Bench Mounted Low Line Sink Mixer with Care Yellow & Blue Printed Handle

4-star 7 lpm
(Nominal Flow : 6.55 lpm)

Product Features



- Soft close operation
- Printed indicators eliminate crevices for bacteria build up
- Cost effective
- Supplied with PEX inlet hoses
- Care handle
- Recommended for self care, aged care and commercial projects
- Product customisation available

Technical Information



Materials	Body: DZR Brass Handle: Zinc Alloy
Cartridge	Ceramic Disk
Cartridge Size	35 mm
Inlet	15 mm Female Flexible Connections (G1/2" BSP)
Outlet	Aerated Flow
Working Pressures	150kPa-500kPa
Recommended Working Pressures	350kPa
Working Temperatures	5°C - 65°C
Finish / Colour	Chrome Plated
Warranty	5 years*

Product Certifications



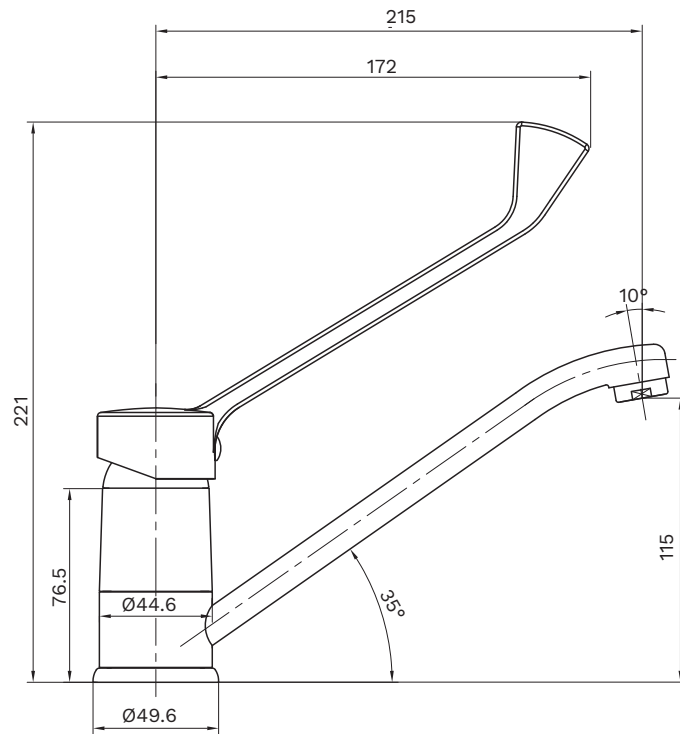
WELS: T38384



Unit 6, 20 - 28 Ricketty St, Mascot, NSW 2020 P: +612 9319 4422 F: +612 8088 7635 E: info@gentecaustralia.com.au

Note: The information provided is only a guide, actual product may differ. The information here should not be relied on without clarification with Gentec. Gentec reserves the right to make design changes at any time without notification.

*Subject to terms and conditions, available at www.gentecaustralia.com.au/page/warranty



Unit 6, 20 - 28 Ricketty St, Mascot, NSW 2020 P: +612 9319 4422 F: +612 8088 7635 E: info@gentecaustralia.com.au

Note: The information provided is only a guide, actual product may differ. The information here should not be relied on without clarification with Gentec. Gentec reserves the right to make design changes at any time without notification.

*Subject to terms and conditions, available at www.gentecaustralia.com.au/page/warranty