

## REBEL - Single Lever Basin Mixer

# REB1000

## Bench Mounted Basin Mixer with Yellow & Blue Printed Handle



5-star 6.0 lpm  
(Nominal Flow : 5.53 lpm)

### Product Features



- Soft close operation
- Printed indicators eliminate crevices for bacteria build up
- Cost effective
- Supplied with PEX inlet hoses
- Care handle option available
- Recommended for self care, aged care and commercial projects
- Product customisation available

### Technical Information



Materials	Body: DZR Brass Handle: Zinc Alloy
Cartridge	Ceramic Disk
Cartridge Size	35 mm
Inlet	15 mm Female Flexible Connections (G1/2" BSP)
Outlet	Aerated Flow
Working Pressures	150kPa-500kPa
Recommended Working Pressures	350kPa
Working Temperatures	5°C - 65°C
Finish / Colour	Chrome Plated
Warranty	5 years*

### Product Certifications



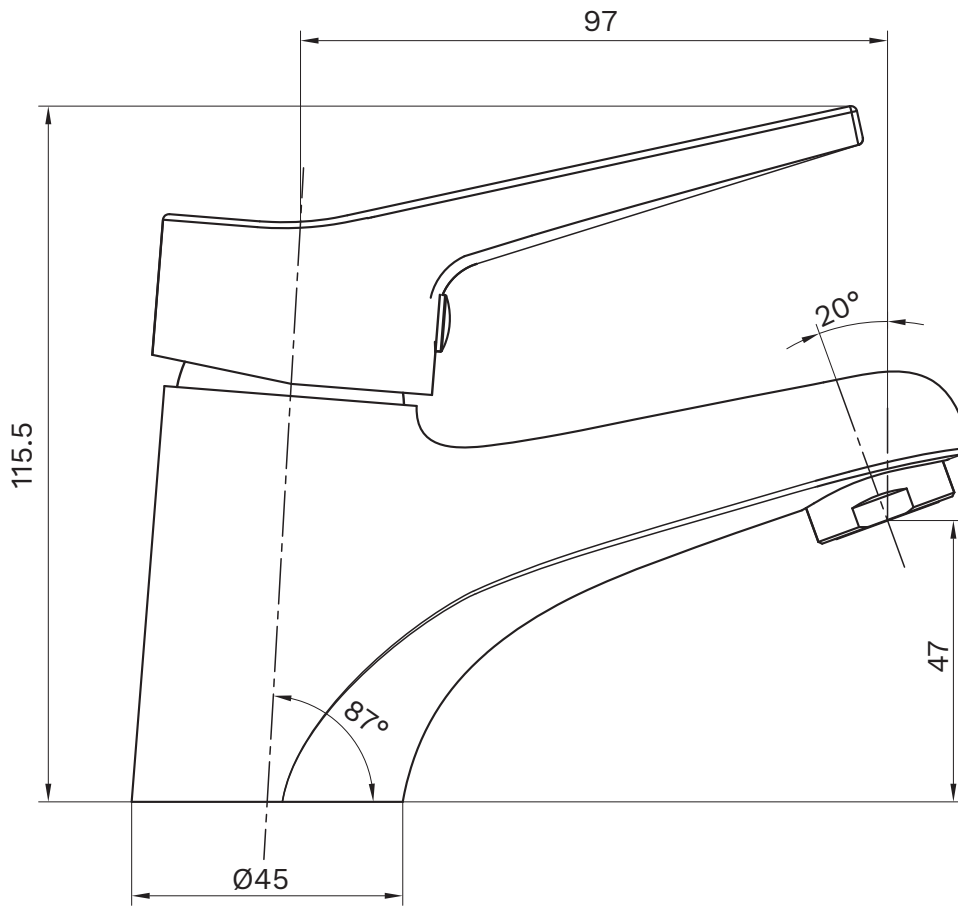
WELS: T38383



Unit 6, 20 - 28 Ricketty St, Mascot, NSW 2020 P: +612 9319 4422 F: +612 8088 7635 E: info@gentecaustralia.com.au

Note: The information provided is only a guide, actual product may differ. The information here should not be relied on without clarification with Gentec. Gentec reserves the right to make design changes at any time without notification.

\*Subject to terms and conditions, available at [www.gentecaustralia.com.au/page/warranty](http://www.gentecaustralia.com.au/page/warranty)



All measurements are in millimetres and should be used as a guide only



Unit 6, 20 - 28 Ricketty St, Mascot, NSW 2020 P: +612 9319 4422 F: +612 8088 7635 E: info@gentecaustralia.com.au

Note: The information provided is only a guide, actual product may differ. The information here should not be relied on without clarification with Gentec. Gentec reserves the right to make design changes at any time without notification.

\*Subject to terms and conditions, available at [www.gentecaustralia.com.au/page/warranty](http://www.gentecaustralia.com.au/page/warranty)