



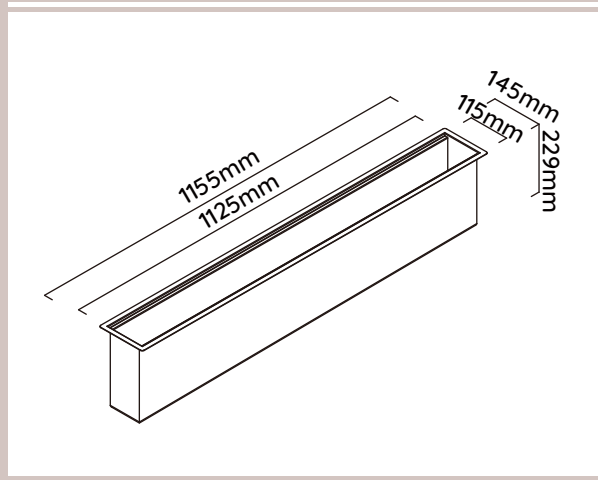
Model Code:PSQ1200

Included Accessories

 PSQ001-2-3	 PSQ002-2-3	 PSQ003	 PSQ004-2-3
 PSQ011	 WK-50/40-PA	 ICM6 x 2	

Optional Accessories

Dimensions



Specifications

Description	Boutique Slim 1155 x 145
Overall Sink Size	1155mm x 145mm x 229mm deep
Bowl Dimensions	1125mm x 115mm x 229mm deep
Drainer Length	N/A
Technic	Fabrication
Material	1mm Stainless Steel SUS304

Installation

Fixings	Inset clips supplied
Template	Supplied
Min Cabinet Size	1200mm
Waste Holes	1 x 90mm round Compatible with waste disposal
Sealing Strip	N/A

Plumbing

Waste Fittings	1 x (90mm x 2") basket wastes included
Overflow	Supplied

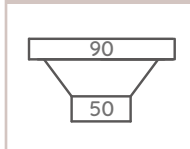
Packaging

Carton Type	Eco packaging & Individual carton
Gross Weight	18.3Kg
Carton Size	1240mm x 230mm x 350mm
Pack QTY	1

SURFACE FINISH



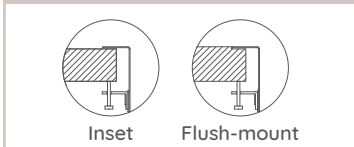
WASTE KIT



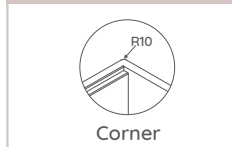
MATERIAL



INSTALLATION OPTIONS



PROFILE



Abey are Australia's leaders in sinkware, designing and manufacturing to the world's highest quality specifications as well as sourcing and bringing you Europe's very best, leading edge designs – practical, affordable, inspirational, stylish, timeless or cutting edge. When you buy an Abey stainless steel sink you receive the highest quality and a 25 year warranty. Abey and the manufacturer are continually seeking ways to improve the design specifications, aesthetic and production techniques of the products. As a result, alterations to the specifications and dimensions of the products and designs occur continually.