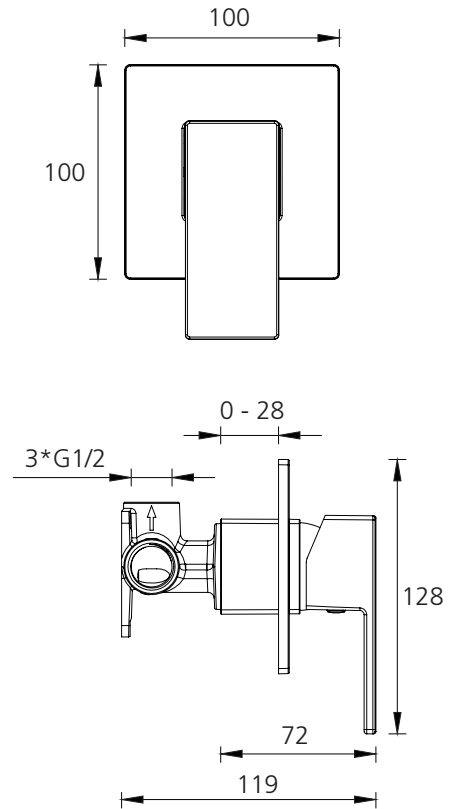


Prague

PR115500CR
Chrome Wall Mixer

All dimensions in mm



Specifications /

WELS Rating	NA
Temperature rating (min / max)	1°C - 65°C
Pressure rating (min / max)	Min 150 kPa - Max 500 kPa
Finish	Chrome (electroplating)
Materials	Brass body and zinc handle
Cartridge size	35mm
Cartridge type	Ceramic Disc Cartridge
Product weight	0.93kg
Water supply	Mains
Warranty	15 years cartridge, body and finish; 5 years seals, fittings; 1 year labour (refer to oliveri.com.au)
Maintenance and care instructions	All surfaces should be cleaned with mild liquid detergent or soap and water. Do not use cream cleaners or citrus based cleaning products, as they are abrasive. Use of unsuitable cleaning agents may damage the surface. Any damage caused in this way will not be covered by warranty.

