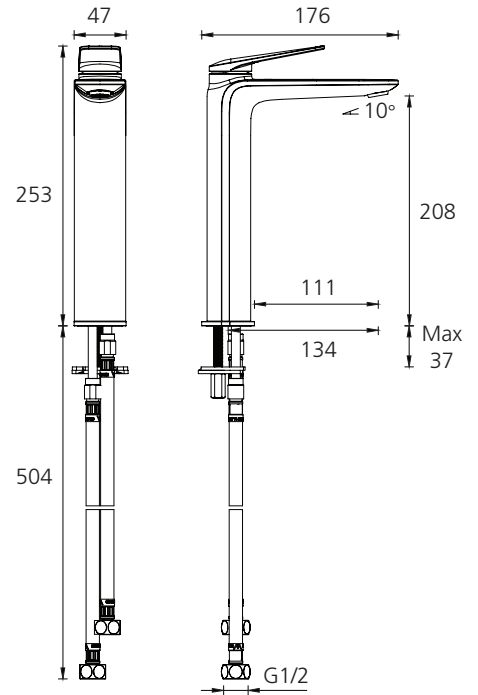


Paris

PA070520CR

Chrome Tower Basin Mixer

All dimensions in mm



Specifications /

WELs rating	5 Stars, 6L per minute
Temperature rating (min / max)	1°C - 65°C
Pressure rating (min / max)	150 kPa - 500 kPa
Finish	Chrome (electroplated)
Materials	Brass body and zinc handle
Cartridge size	25mm
Cartridge type	Ceramic disc cartridge
Product weight	1.69kg
Mixer height	253mm
Water supply	Mains
Warranty	15 years cartridge, body and finish; 5 years seals, tails, fittings, aerators; 1 year labour (refer to oliveri.com.au)
Maintenance and care instructions	All surfaces should be cleaned with mild liquid detergent or soap and water. Do not use cream cleaners or citrus based cleaning products, as they are abrasive. Use of unsuitable cleaning agents may damage the surface. Any damage caused in this way will not be covered by warranty.