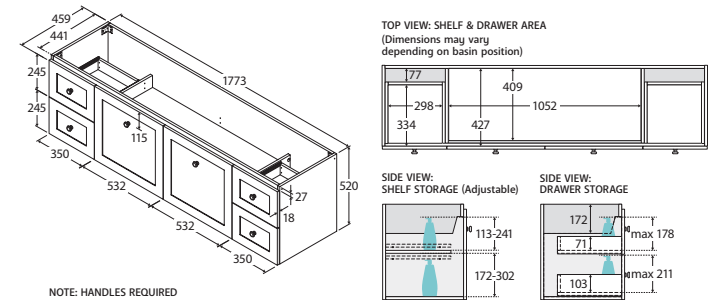


# Newport

1800MM DOUBLE BOWL  
WALL-HUNG DOOR &  
DRAWER CABINET  
WITH HANDLES

- Select from three thermolaminated finishes
- 'Confident close' drawer damping system combines smooth, fast closing with late deceleration to provide a quiet landing on close
- Full extension runners allow easy access to the full depth of the drawer
- Fresh white interior
- Full depth (suits 465 mm tops)
- Two doors and four drawers
- Requires handles (included in price)
- Made in Australia with FSC certified, E0 board



## Available in

3 finishes  
**N180WD**



Classic White Matt



Stone Grey Matt



Black Matt



## Cleaning & Care

- Regularly clean with mild soapy water using a clean, soft cloth.
- Do not use harsh detergents, bleach, abrasive cleaners or cream/wax cleaners. These substances can result in scratches and/or deposit build-ups that will affect the appearance.
- Avoid placing hot objects, such as hair straighteners, on any surface as these will cause discoloration and marking.
- Spills of hair dye, after-shave lotion, nail polish and remover, aerosol spray and other harsh chemicals should be removed immediately to prevent damage and discoloration. Clean immediately with mild soapy water using a clean, soft cloth.

While we aim to ensure specifications are correct at the time of publication, Fienza reserves the right to make modifications without prior notice. Physical colour may vary from image shown. All measurements are shown in millimetres. Always use physical product measurements for mark-ups and roughing-in as the technical drawing may differ from actual product received.