



## NUGEN - Single Lever Care Sink Mixer

# NGM3500D

## Bench Mounted Low Line Sink Mixer with Care Handle and Cold Start Cartridge

4 star 6.5 lpm  
(Nominal Flow : 6.43 lpm)

### Product Features



- Soft close operation
- Red, yellow & blue indicators provided
- Supplied with a cold start cartridge which saves energy by preventing warm water being drawn while the handle is in the neutral position
- Supplied with PEX inlet hoses
- Handles with printed colour indicators available on request
- Care handle
- Laminar flow options available
- Additional flow rates available
- Recommended for commercial, health and hospitality projects
- Product customisation available

### Product Certifications



WELS: T22100



**WaterMark**  
AS/NZS 3718: 2005  
Licence No. WMKA25617  
SAI GLOBAL

### Technical Information



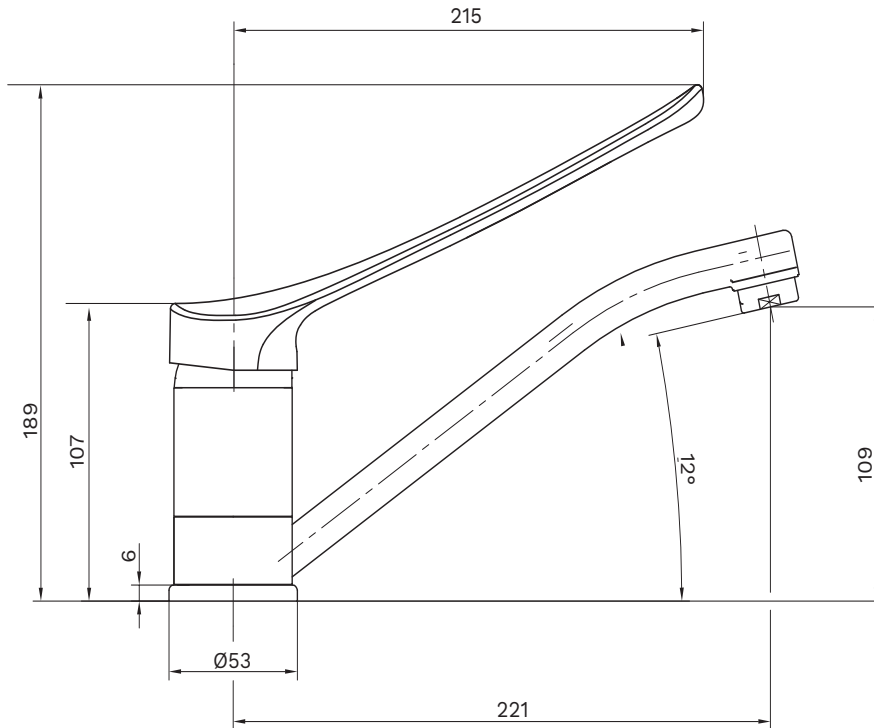
Materials	Body: DZR Brass Handle: Zinc Alloy
Cartridge	Ceramic Disk (Kerox) - Cold Start
Cartridge Size	40 mm
Inlet	15 mm Female Flexible Connections (G1/2" BSP)
Outlet	Aerated Flow
Working Pressures	150kPa-500kPa
Recommended Working Pressures	350kPa
Working Temperatures	5°C - 80°C
Finish / Colour	Chrome Plated
Warranty	10 years*



Unit 6, 20 - 28 Ricketty St, Mascot, NSW 2020    P: +612 9319 4422    F: +612 8088 7635    E: info@gentecaustralia.com.au

Note: The information provided is only a guide, actual product may differ. The information here should not be relied on without clarification with Gentec. Gentec reserves the right to make design changes at any time without notification.

\*Subject to terms and conditions, available at [www.gentecaustralia.com.au/page/warranty](http://www.gentecaustralia.com.au/page/warranty)



All measurements are in millimetres and should be used as a guide only



Unit 6, 20 - 28 Ricketty St, Mascot, NSW 2020    P: +612 9319 4422    F: +612 8088 7635    E: info@gentecaustralia.com.au

Note: The information provided is only a guide, actual product may differ. The information here should not be relied on without clarification with Gentec. Gentec reserves the right to make design changes at any time without notification.

\*Subject to terms and conditions, available at [www.gentecaustralia.com.au/page/warranty](http://www.gentecaustralia.com.au/page/warranty)