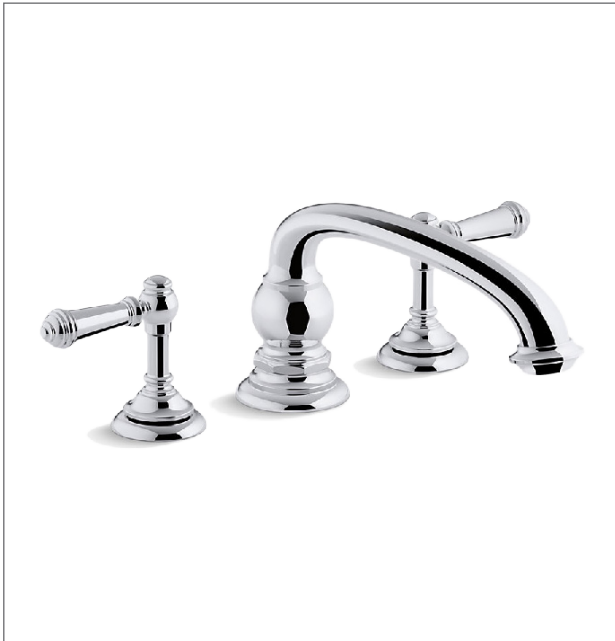


Product

- Artifacts hob mount bath mixer set

Kohler Code

21509A-*



Included Components

- Concealed valve body
- Trim kit
- Spout

Features

- Polished chrome
- Metal construction
- Ceramic disc valves
- Suitable for mains pressure
- KOHLER finishes resist tarnishing and corrosion

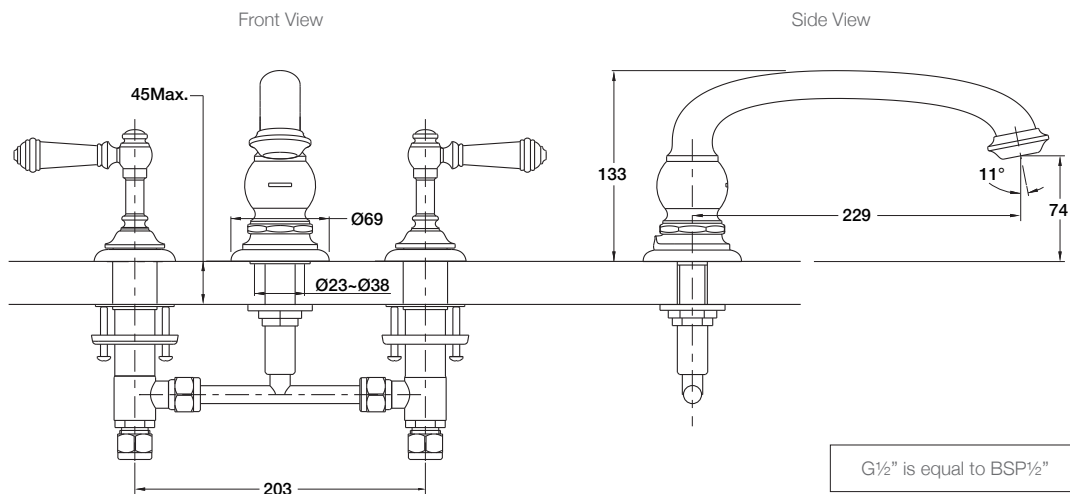
PVD Colour Options (*Colour swatches indicative only)

-  21509A-CP - Polished Chrome
-  21509A-2BZ - Oil-Rubbed Bronze
-  21509-BV - Vibrant Brushed Bronze

Related Products

- Artifacts tapware
- Artifacts accessories

Technical Details



G1/2" is equal to BSP1/2"

Installation Notes:

- G1/2" male inlets.
- Optimum working pressure 300-500 kPa.
- Maximum hydrostatic pressure 800 kPa (This pressure may be exceeded only under test conditions).
- Where normal working pressure exceeds the maximum, pressure limiting valves should be installed.
- Maximum working temperature 60°C.
- Maximum bench thickness is 45mm.
- Inline filters should be used to protect tapware from debris that may be present within the plumbing.