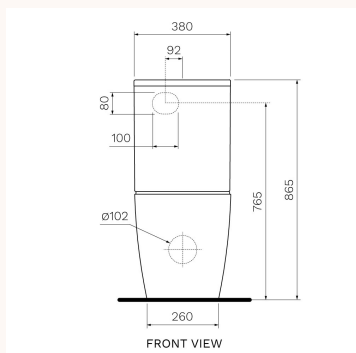
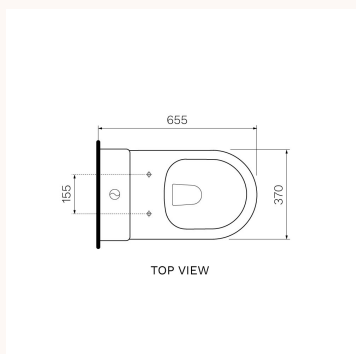
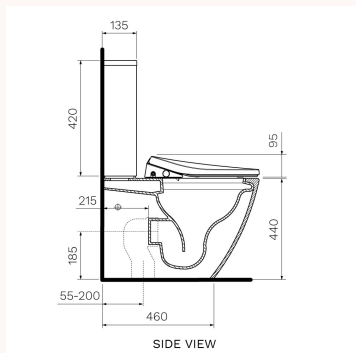




## Ellisse II Ambulant Suite Rimless with Serena Bidet Seat (Side Inlet)

PN825

The Ellisse II Ambulant Suite is designed to meet the compliance requirements of AS1428.1-2009. The elevated height of the pan assists persons whose mobility is impaired. PARISI have combined this toilet with the Serena intelligent bidet seat which offers instant seat and water warming, a luxurious and adjustable cleansing shower spray, and a soft closing seat all in a low-profile and minimalistic style.



<b>Product type</b>	Toilets
<b>Brand</b>	PARISI
<b>Collection</b>	Ellisse II
<b>Range</b>	Design
<b>Designers</b>	PARISI Design Team
<b>WxDxH</b>	370mm x 655mm x 865mm
<b>Colour / Finish</b>	 Gloss White
<b>Material</b>	Ceramic
<b>WELS</b>	4 Star 4.5/3L
<b>Trap options</b>	Universal Trap (P or S Trap)
<b>S Trap set out (mm)</b>	55 - 200mm using PN0030 connector (included)
<b>P Trap set out (mm)</b>	185mm height FFL
<b>Inlet Options</b>	Back Inlet 765mm height FFL Bottom Inlet L&R
<b>Seat</b>	Electronic Bidet Seat
<b>Average water flush (L/f)</b>	3.2 Litres
<b>Rimless</b>	Yes

<b>Warranty</b>	10 Year Warranty
<b>Availability</b>	Stocked Item
<b>Fixing Types</b>	Floor
<b>Features:</b>	Electronic Bidet Seat - includes Front Wash, Rear Wash, Adjustable Water Temp, Adjustable Seat Heating Temp, Night Light, Soft Close Seat and Lid. Side Water Inlet. Easyclean Antibacterial protection.
<b>Installation Instructions:</b>	Side water inlet

PARISI



RIMLESS



## Serena Electronic Bidet Seat (Side Inlet)

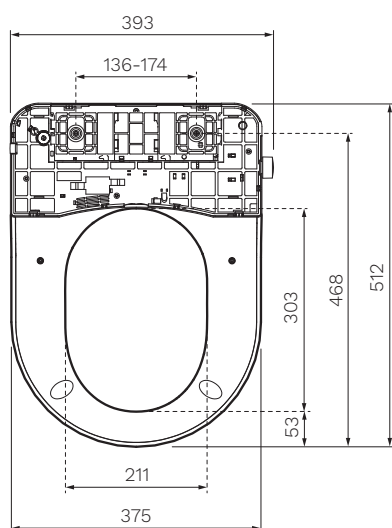


**Product Code: EC110**

All of the cleansing benefits of a bidet in a convenient and compact electronic seat design. The Serena electronic bidet seat offers instant seat and water warming, a luxurious and adjustable cleansing shower spray, and a soft closing seat all in a low-profile and minimalistic style. The gentle showering function can be customized with the turn of a conveniently located dial.



Gloss  
White



<b>Colour &amp; Finish</b>	— Gloss White
<b>Material</b>	— Urea
<b>W x D x H</b>	— 393 x 512 x 95mm
<b>Water Inlet</b>	— G1/2 Side Inlet
<b>Water Pressure</b>	— 150 - 500Kpa
<b>Voltage</b>	— 120V
<b>Power</b>	— 960W
<b>Functions</b>	— Front Wash, Rear Wash, Adjustable Water Temp., Adjustable Seat Heating Temp., Night Light, Soft Close Seat and Lid
<b>Warranty</b>	— 2 Years (Conditions Apply)

### Care and Maintenance:

Use a mild soap solution to clean the seat. Please take care that the seat and hinges are not left damp. Dry off any residual water or cleaning agent with a soft cloth. Avoid contact of the seat and hinges with abrasive, corrosive or chlorine-based cleaners, as these may cause damage or lead to flash rust.

### Compatible Toilets:

L'Hotel and Ellisse Suites/Pans

PARISI



Note: Dimensions are in millimetres and nominal. They can vary according to material and manufacturing tolerances. Exact dimensions should be determined by measuring actual product. PARISI reserves the right to vary specifications without notice.

Jul 2023\_v2