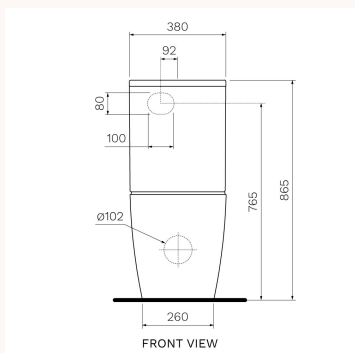
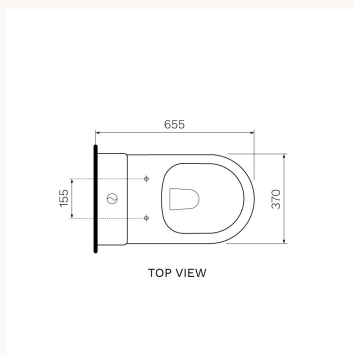
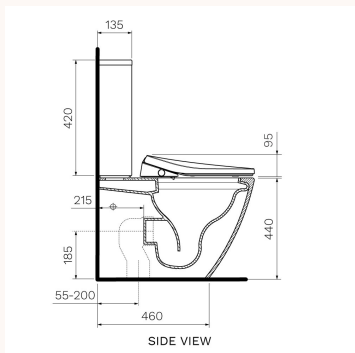




## Ellisse II Ambulant Suite Rimless with Serena Bidet Seat (Bottom Inlet)

PN828

The Ellisse II Ambulant Suite is designed to meet the compliance requirements of AS1428.1-2009. The elevated height of the pan assists persons whose mobility is impaired. PARISI have combined this toilet with the Serena intelligent bidet seat which offers instant seat and water warming, a luxurious and adjustable cleansing shower spray, and a soft closing seat all in a low-profile and minimalistic style.



<b>Product type</b>	Toilets
<b>Brand</b>	PARISI
<b>Collection</b>	Ellisse II
<b>Range</b>	Design
<b>Designers</b>	PARISI Design Team
<b>WxDxH</b>	370mm x 655mm x 865mm
<b>Colour / Finish</b>	 Gloss White
<b>Material</b>	Ceramic
<b>WELS</b>	4 Star 4.5/3L
<b>Trap options</b>	Universal Trap (P or S Trap)
<b>S Trap set out (mm)</b>	55 - 200mm using PN0030 connector (included)
<b>P Trap set out (mm)</b>	185mm height FFL
<b>Inlet Options</b>	Back Inlet 765mm height FFL Bottom Inlet L&R
<b>Seat</b>	Electronic Bidet Seat
<b>Average water flush (L/f)</b>	3.2 Litres
<b>Rimless</b>	Yes

<b>Warranty</b>	10 Year Warranty
<b>Availability</b>	Stocked Item
<b>Fixing Types</b>	Floor
<b>Features:</b>	Electronic Bidet Seat - includes Front Wash, Rear Wash, Adjustable Water Temp, Adjustable Seat Heating Temp, Night Light, Soft Close Seat and Lid. Bottom Water Inlet. Easyclean Antibacterial protection.
<b>Installation Instructions:</b>	Bottom water inlet

PARISI



RIMLESS



## Serena Electronic Bidet Seat (Bottom Inlet)

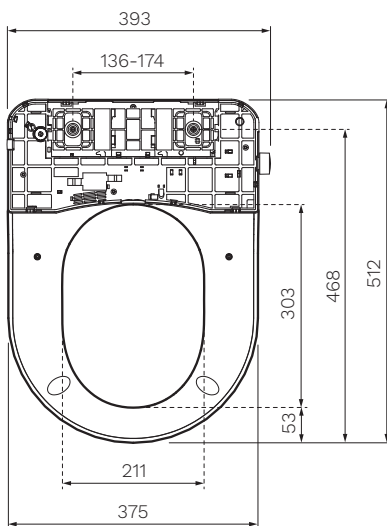


**Product Code: EC105**

All of the cleansing benefits of a bidet in a convenient and compact electronic seat design. The Serena electronic bidet seat offers instant seat and water warming, a luxurious and adjustable cleansing shower spray, and a soft closing seat all in a low-profile and minimalistic style. The gentle showering function can be customized with the turn of a conveniently located dial.



Gloss  
White



<b>Colour &amp; Finish</b>	— Gloss White
<b>Material</b>	— Urea
<b>W x D x H</b>	— 393 x 512 x 95mm
<b>Water Inlet</b>	— G1/2 Bottom Inlet
<b>Water Pressure</b>	— 150 - 500Kpa
<b>Voltage</b>	— 120V
<b>Power</b>	— 960W
<b>Functions</b>	— Front Wash, Rear Wash, Adjustable Water Temp., Adjustable Seat Heating Temp., Night Light, Soft Close Seat and Lid
<b>Warranty</b>	— 2 Years (Conditions Apply)

### Care and Maintenance:

Use a mild soap solution to clean the seat. Please take care that the seat and hinges are not left damp. Dry off any residual water or cleaning agent with a soft cloth. Avoid contact of the seat and hinges with abrasive, corrosive or chlorine-based cleaners, as these may cause damage or lead to flash rust.

### Compatible Toilets:

L'Hotel and Ellisse Suites/Pans

PARISI

