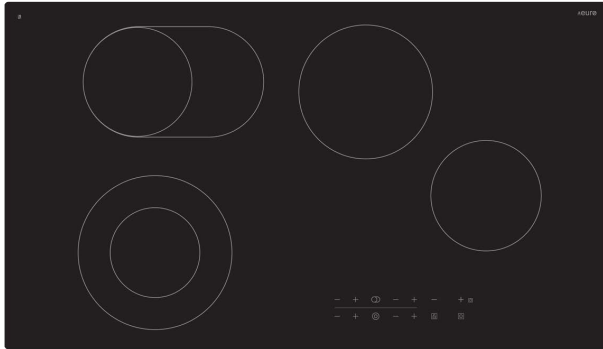


90cm Ceran Touch Electric COOKTOP

PRODUCT CODE: **ECT900C6**




eurocooking

3
YEARS
Warranty

INSTALLATION DIAGRAM

FEATURES:

- + Smooth Ceran glass electric cooktop
- + 6 hi-lite elements
- + Front sensor touch control operation
- + Residual heat indicator
- + 99 minute timer function
- + 9 power stage settings
- + Auto switch off safety
- + Child lock
- + Square edge design

RESIDUAL HEAT INDICATOR

To ensure that you know which electric hotplate is in use, this cooktop is equipped with a heating level indicator. After cooking, there will be some residual heat remaining & the letter "H" will appear to warn you to keep away from burner until it cools down.

CHILD SAFETY LOCK

The child safety lock acts as protection to ensure that your desired temperature cannot be altered without unlocking the cooktop.

SENSOR TOUCH CONTROL

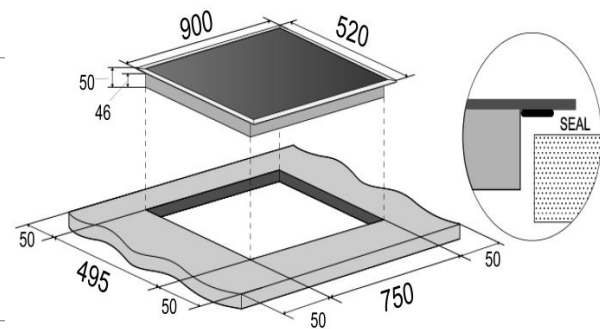
The ECT900C6 cooktop is equipped with a stylish touch sensor control panel, adding a touch of style and elegance to your kitchen.

6 HILITE ELEMENTS

This cooktop is fitted with 6 hi-lite elements to ensure rapid heat up.

SMOOTH CERAN GLASS COOKTOP

A high-grade Ceran glass is used for this cooktop to ensure easy cleaning of the smooth Ceran surface.



SPECIFICATIONS:

Electrical Requirements	40 amp dedicated circuit from cooktop to main switchboard
Voltage	220V-240V
Frequency	50Hz
Total Rated Load:	6500W - 7800W
Cooking Zones:	
- Front Left Element	1000W/2200W
- Rear Left Element	1100W/ 2600W
- Rear Right Element	1800W
- Front Right Element	1200W
Weight	15.5kg (Gross)/ 13.5kg (Net)
Product Dimensions	W900mm x D520mm
Barcode	9347726013527

CLEANING AND MAINTENANCE

- Cleaning operations must only be carried out when the appliance is completely cool.
- Clean the appliance regularly, preferably after each use
- Abrasive cleaners or sharp objects will damage the appliance surface; you should clean it using water and a little washing up liquid

TIPS FOR BETTER USE

- Always use pans with a flat base to ensure even contact with the hotplate
- The correct size of pan should be used so that the whole of the element is covered