

# 30cm 2 Burner S.S Gas Hob

## COOKTOP

PRODUCT CODE: **ECT30GX**



### FEATURES:

- + Stainless steel cooktop
- + 2 gas burners + front knob controls
- + One piece hob for ideal cleaning
- + 1 touch electric ignition
- + Non-slip trivets
- + Flame failure safety device
- + Natural gas or LPG (jets included)

### IDEAL CLEANING

Cook top surface all in a "one piece hob setting" which makes cleaning the cooktop a simple, non-time consuming activity.

### ONE TOUCH ELECTRONIC IGNITION

This gas cooktop uses a one touch electronic ignition system. Simply push down the knob and turn and the flame will ignite automatically.

### CAST IRON TRIVETS

Non-slip, cast iron trivets are standard with this cooktop and removable for easy cleaning.

### FLAME FAILURE SAFETY DEVICE

The flame failure device is a safety mechanism which ensures the gas is automatically turned off in the case of the flame extinguishing.

### SPECIFICATIONS:

<b>Electrical Requirements</b>	Cooktop is supplied with 10 amp plug & cord.
<b>Gas Rated Pressure:</b>	
- LPG	2.75 kPa
- Natural	1.00 kPa
<b>Gas Burners:</b>	
- Rapid Gas Burner (Rear)	10.8 MJ/h
- Auxiliary Burner (Front)	4.30 MJ/h
<b>Weight</b>	8.5 kg net / 10.5 kg gross
<b>Product Dimensions</b>	300mm x 520mm x 100mm
<b>Barcode</b>	9347726024820

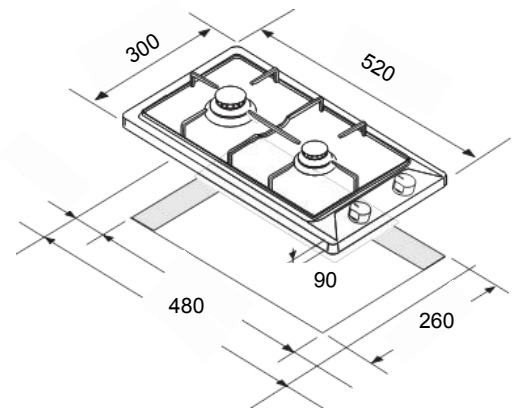


eurocooking

**3**  
YEARS

Warranty

### INSTALLATION DIAGRAM



### CLEANING AND MAINTENANCE

- + Cleaning operations must only be carried out when the appliance is completely cool.
- + Clean the appliance regularly, preferably after each use
- + Abrasive cleaners or sharp objects will damage the appliance surface; you should clean it using water and a little washing up liquid

### SAFETY INFORMATION

- + Do not use this appliance if it comes in contact with water. Do not operate this appliance with wet hands
- + The heating and cooking surfaces of the appliances become hot when in use, take all due precautions.
- + Unstable pans should not be used on the appliances as they can cause an accident by tipping or spillage.
- + Never leave the appliance unattended when cooking.
- + Please refer to the manual for more information

**euroappliances**

EMBRACE QUALITY + PASSION

**CUSTOMER SUPPORT TOLL-FREE 1800 440 335**

**DISCLAIMER:** Please note that the measurements and model appearances may change at any time. Euro Appliances reserves the right to change the specifications without notice.

[www.euroappliances.com.au](http://www.euroappliances.com.au)

cooking | laundry | refrigeration | alfresco