

Angelique Inset SpaBath

 MADE IN AUSTRALIA



SPA BATH SHELL



PUMP, JETS
& FITTINGS

The Angelique's timeless design features generous depth & additional features such as arm rests & ergonomic lumbar support that set the benchmark in corner bath design.

- AS/NZ Standard AS3861/1991
- Steel rod reinforced rim
- Double reinforced bath base
- Suitable for dual bathing
- Moulded armrests
- Lumbar support

PRODUCT SPECIFICATIONS

Colour:	High Gloss White
Material:	Premium Sanitary grade acrylic
Length:	1295mm / 1465mm
Width:	1295mm / 1465mm
Height:	480mm
Capacity:	179L / 259L [200mm below the bath rim]
Bath Type:	Inset
Waste Position:	Centre
Warranty:	*10 years spa shell, *5 years pump, jets, fittings (*refer to decina.com.au)

ANGELIQUE SANTAI SPA BATH ●● 12 JETS

SIZE (l) x (w) x (d) mm	CAPACITY*	NET WEIGHT	CODE
1295 x 1295 x 480	179L	25.3kg	AN1295SAN12JW
1465 x 1465 x 480	259L	45kg	AN1465SAN12JW

- 6 x low profile Mod centro jets
- 6 x low profile Mod mini jets
- 1 x low profile Mod suction
- 1 x Mod power button (rim mounted)
- 2 x Mod air controls (rim mounted)
- 750 watt auto heat boost pump



ANGELIQUE CONTOUR SPA BATH ●●● 14 JETS

SIZE (l) x (w) x (d) mm	CAPACITY*	NET WEIGHT	CODE
1295 x 1295 x 480	179L	35.3kg	AN1295CNSPAWC
1465 x 1465 x 480	259L	45kg	AN1465CNSPAWC

- 6 x flush C-Lenda™ centro jets
- 8 x flush C-Lenda™ mini jets
- 2 x flush C-Lenda™ air controls
- 1 x flush C-Lenda™ suction
- 1 x Sensa-Touch pad control (rim mounted)
- 750 watt 3-stage heat boost pump
- 2 x Sia black headrests



ANGELIQUE DOLCE VITA ●●●● 18 JETS

SIZE (l) x (w) x (d) mm	CAPACITY*	NET WEIGHT	CODE
1295 x 1295 x 480	179L	60.3kg	AN1295DVSPAWC
1465 x 1465 x 480	259L	75kg	AN1465DVSPAWC

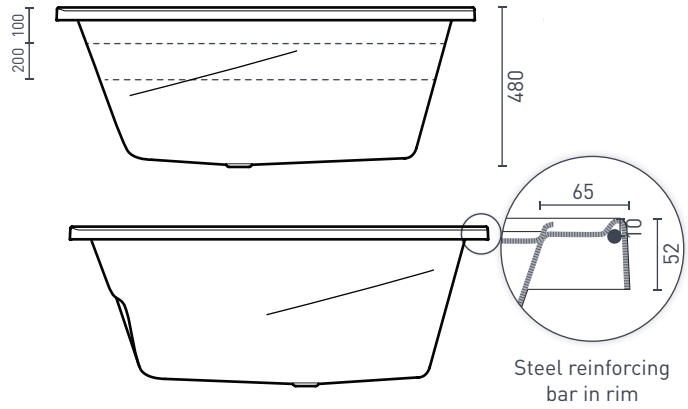
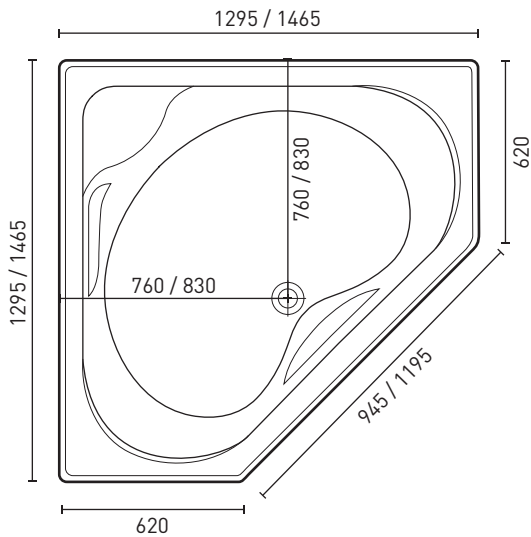
- 6 x adjustable flush C-Lenda™ centro jets
- 12 x adjustable flush C-Lenda™ mini jets
- 2 x flush C-Lenda™ air controls
- 1 x flush C-Lenda™ suction
- Spa Key remote control
- 1100 watt spa key heat boost pump
- 2 x Sia black headrests



Available with chrome, white or black jets with stainless steel trim.



TECHNICAL DRAWINGS



OPTIONAL ACCESSORIES

- 40mm Removable pop-up waste *Chrome* **WA001**
White Gloss **WA002**, *Black Matte* **WA003**
- Pop-up waste & overflow kit *Chrome* **OWA001**
- Pop-down waste & overflow kit *Chrome* **OWA002**
- Pop-down waste & overflow kit *Black* **OWA003**
- Sia headrest *Black Curved* **SY242-B**
[2 included with *Contour & Dolve Vita spa*]
- Corner base support **TAP004**

SPA BATH ORDER FORM

Spa baths are made to order on receipt of the order form & are non-refundable. Whilst we aim for 15-20 working days for completion & dispatch, please contact Decina for current lead times. We recommend filling out your spa bath order form with your qualified tradesperson.

COMPANY & BRANCH: _____ **PHONE NO:** _____

CONTACT: _____ **ORDER NO:** _____ **DATE:** _____

MODEL: _____ **SIZE:** _____ **QTY:** _____ **RANGE:** SANTAI CONTOUR DOLCE VITA

JET COLOUR (DOLCE VITA ONLY)

(NO additional cost) Chrome White Black

SPA PUMP NOTES

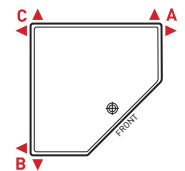
- The spa pump does not fit directly in the baths perimeter (allow 100mm)
- The spa pump must be easily accessible for maintenance
- Waste positions can not be changed
- The spa pump controls will always be at the front, unless indicated below
- We recommend spa pumps installed outside are fitted with a Spa Pump Cover EDG119
- We recommend spa pumps installed inside are fitted with a Drain Tray EDG140

Please refer to the technical drawings before choosing your spa pump position, as spa bath waste & pump positions CANNOT be customised

1. CIRCLE YOUR PUMP POSITION A / B / C ON THE DIAGRAM

2. CROSS (X) YOUR SHOWER HEAD POSITION ON THE DIAGRAM (if applicable)

Spa pump controls can not be on the same end as the shower.



CUSTOMER NAME: _____ **CUSTOMER SIGNATURE:** _____

CUSTOMER EMAIL: _____ **CUSTOMER PHONE NO:** _____

*Whilst every effort is made to adhere to published jet & fittings positions, variation to specifications may occur without notice.

DECINA
DISCOVER INDULGENCE

DECINA.COM.AU 1300 DECINA

*Warranty T&Cs apply, visit decina.com.au Decina reserves the right to change specifications without notice. Due to manufacturing tolerances dimensions may vary +/- 5mm. We recommend installation does not start until after delivery. Please confirm all particulars prior to purchase, call 1300 DECINA or visit decina.com.au