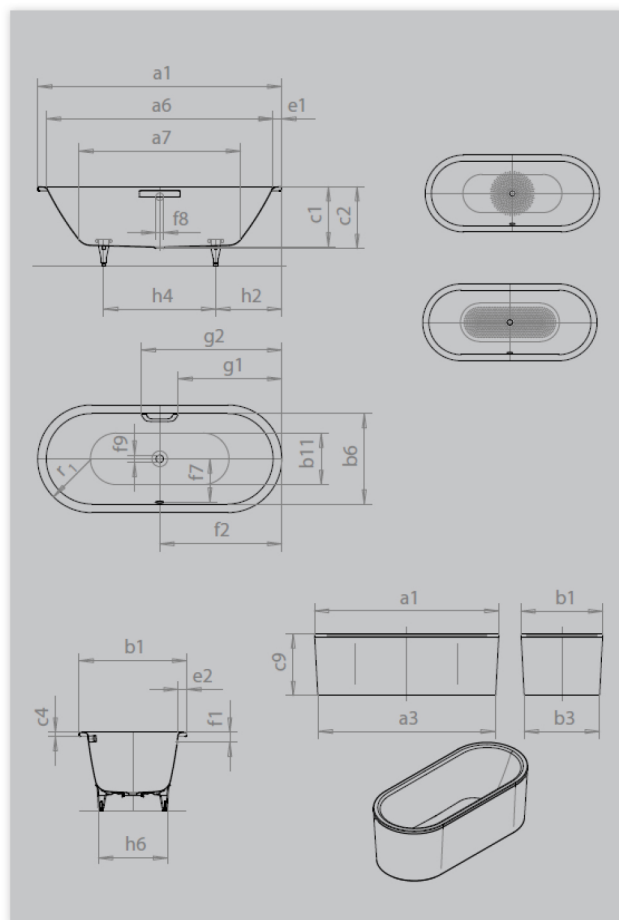


# CLASSIC DUO OVAL FREESTANDING

- pure simplicity and unpretentious elegance are what distinguish these baths
- bathing with a friend: two identical back rests and centrally positioned waste
- the moulded panel emphasises the high design standard
- made of KALDEWEI steel enamel
- **30 YEAR WARRANTY**



GRIP DISCREET OPULENCE



Model No.		112-FS	113-FS	111-FS
External length	a <sub>1</sub>	1600	1700	1800 mm
External length (bottom)	a <sub>3</sub>	1481	1635	1735 mm
Internal length (top)	a <sub>6</sub>	1480	1580	1680 mm
Internal length (bottom)	a <sub>7</sub>	1030	1130	1230 mm
External width	b <sub>1</sub>	700	750	800 mm
External width (bottom)	b <sub>3</sub>	575	685	735 mm
Internal width (top)	b <sub>6</sub>	580	630	680 mm
Internal width (bottom)	b <sub>11</sub>	450	500	550 mm
Depth inside	c <sub>1</sub>	420	420	420 mm
Depth incl. waste hole	c <sub>2</sub>	430	430	430 mm
Height of rim	c <sub>4</sub>	32	32	32 mm
Overall height with panel	c <sub>9</sub>	602	602	602 mm
Width of rim (foot end; long side)	e <sub>1</sub> ; e <sub>2</sub>	60; 60	60; 60	60; 60 mm
Distance top edge to centre of overflow hole	f <sub>1</sub>	70	70	70 mm
Distance bath edge to centre of waste hole	f <sub>2</sub>	800	850	900 mm
Distance centre of waste hole to centre of overflow hole	f <sub>7</sub>	280	305	330 mm
Diameter of overflow hole	f <sub>8</sub>	∅ 52	∅ 52	∅ 52 mm
Diameter of waste hole	f <sub>9</sub>	∅ 52	∅ 52	∅ 52 mm
Distance bath edge (foot end) to start of grip	g <sub>1</sub>	672	722	772 mm
Distance bath edge (foot end) to end of grip	g <sub>2</sub>	928	978	1028 mm
Distance foot end of bath edge to centre of foot	h <sub>2</sub>	560	560	600 mm
Distance between the feet	h <sub>4</sub>	480	580	600 mm
Width of feet max.	h <sub>6</sub>	410	450	540 mm
External radius	r <sub>1</sub>	350	375	400 mm
Water volume		95	124	158 l
Net weight		74	78	88 kg
Diameter of Anti-slip		∅ 288	∅ 435	∅ 435 mm
Full anti-slip		850 x 240	900 x 300	900 x 300 mm

Subject to technical alterations, tolerances and errors. Similar illustrations.  
\*\* 70 litres displacement on average.

**KALDEWEI**