

Description

- R90 Curve Shaker Drawer Panel With Cicero Cabinetry
- 15mm Ultracompact Sintered Stone Top, High-Heat Structure, Fortified Frame.
- Overall Depth 460mm
- Basins are sold separately.
- Luxury Dark Grey Interior with Drawer Diverter
- Thermolaminated cabinet finish available in Natural Oak and Walnut
- Top Pull or Bottom Finger Pull Opening

Key Feature



R90 Curved Shaker



Sintered Stone Top



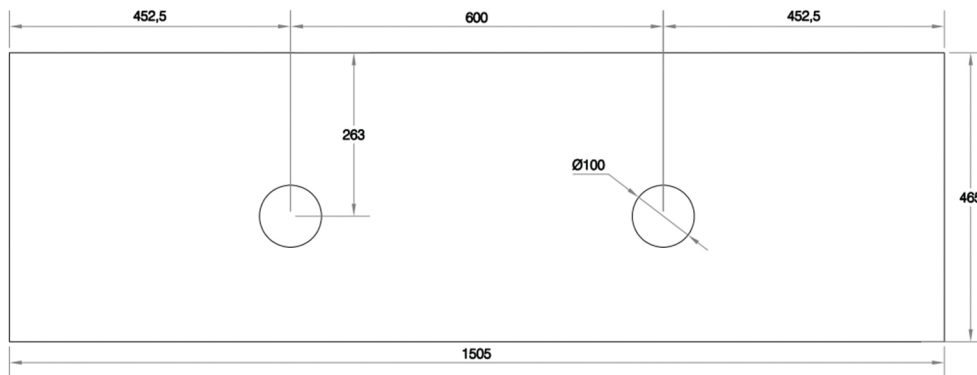
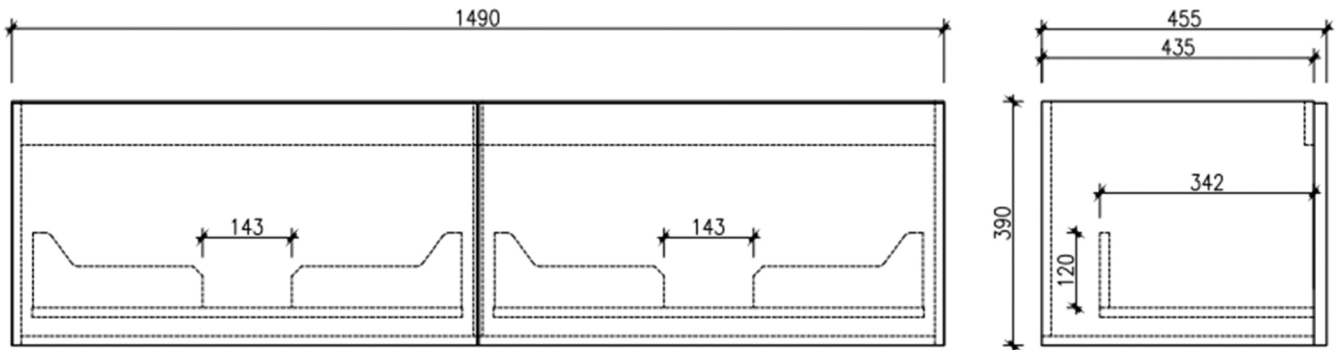
Drawer Diverter



Natural
Oak/Walnut



Top Pull Handle
Options



Prices include GST. All measurements are in millimeters and subject to change without notice. For products, please allow +/- 10mm tolerance for manufacturing variance.