

## LE MUSE WALL FACED TOILET



### Features

- Modern styling exclusively for Le Muse design suite
- Dual Flush System
- WATER SAVING

### Specifications

Flush system:	Wash Down
Water Use:	4.5L / 3L
Rough-in:	S-Trap / P-Trap (Selectable)
Bowl Shape:	Elongated
Water Pressure:	0.05MPa~0.75MPa
Size:	380W x 595D x 400H mm

### Parts description

Fittings and Seat & Cover are not included

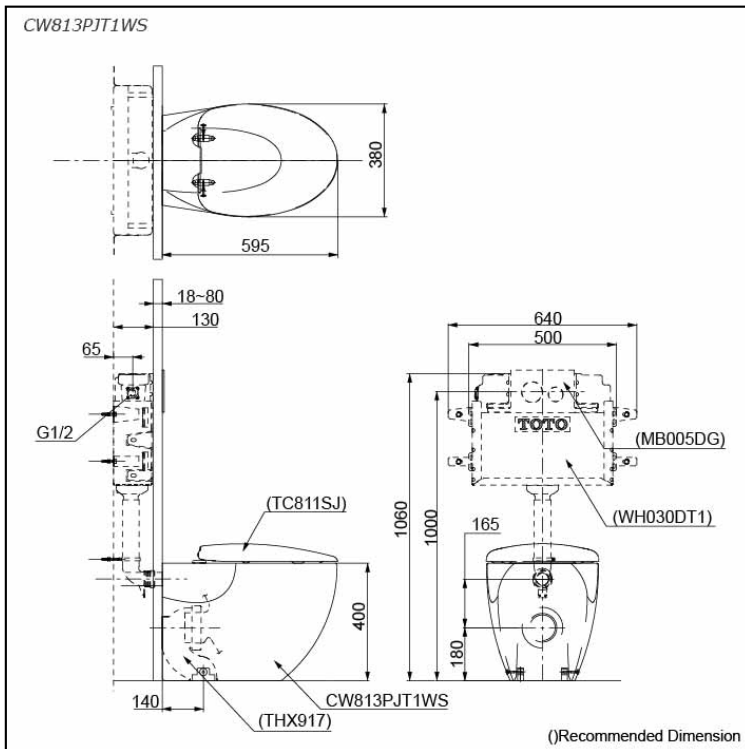
- **CW813PJT1WS**  
Elongated Wall Faced Toilet

#### Optional Parts

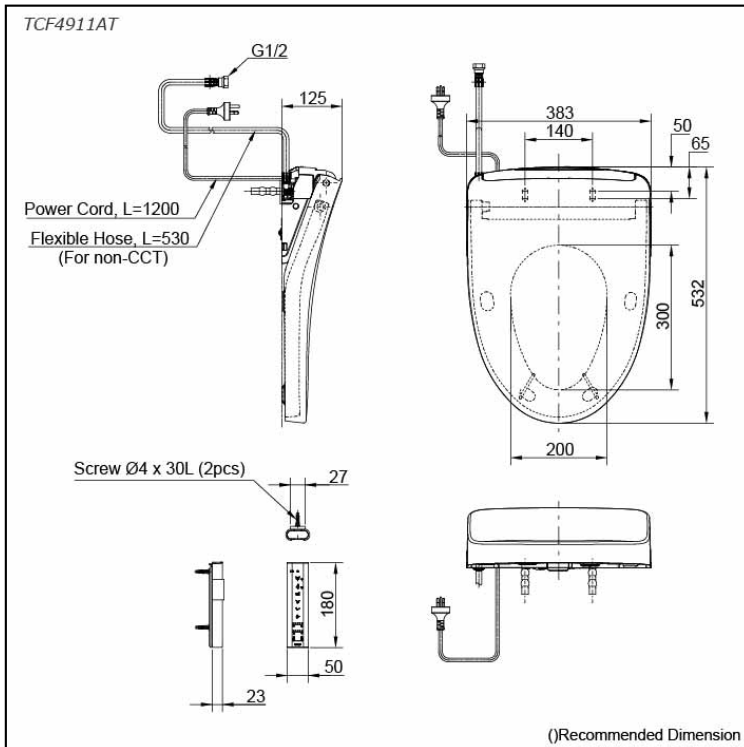
- TC811SJ  
Soft Close Seat & Cover (Urea Resin)
- WH030DT1  
Concealed Cistern w/Frame
- MB005DG  
Flush Panel
- THX917  
Socket (Only for S-Trap)

### Colors

White



## WASHLET



## Features

- EWATER+ spreads out and keeps clean toilet bowl and nozzle by preventing bacterial with sanitizing effect
- Auto lid opening and closing
- Maximized comfort function with new wide front and pulsating cleansing
- Fully equipped with comfortable rear, front and oscillating cleansing functions
- Build-in with Motion Sensor - Microwave technology
- Infrared Sensor for remote control capabilities
- Adjustable WARM AIR DRYING
- HEATED SEAT with temperature control
- Auto powerful DEODORIZER activates after every usage

EWATER+ is made from tap water by electrolyzed chloride ion without any chemicals. After use, it returns to normal water in the state of safe and environmental friendly

## Specifications

Bowl Shape:	Elongated
Water Pressure:	0.05Mpa~0.75Mpa
Power Rating:	220~240V , 50/60Hz, 830~839W
Length of Power Cord:	1.2 m
Material:	Plastic
Size:	383W x 532D x 125H mm

## Parts description

- TCF4911AT WASHLET Elongated

## Colors

White #NW1