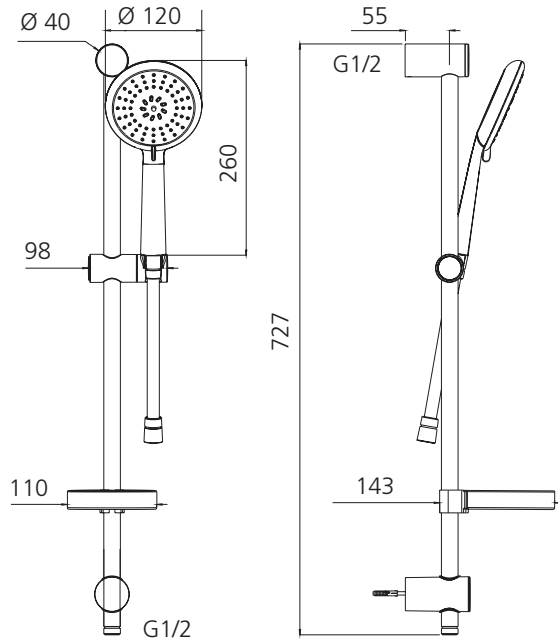


Copenhagen

CO51580MB

Matte Black Hand Shower With Rail

All dimensions in mm



Specifications /

WELs rating	3 Stars, 9L per minute
Temperature rating (min / max)	1°C - 65°C
Pressure rating (min / max)	150 kPa - 500 kPa
Finish	Matte black (powder coated)
Shower head functions	Three spray functions
Materials	Brass / ABS Plastic
Water supply	Mains
Connections	G1/2 Female
Mounting methods	Wall mounted
Product weight	1.54kg
Parts List	Hand shower x 1, hose x 1, slider rail x 1, soap dish x 1, wall bracket x 2
Warranty	15 years main body; 5 years finish; 5 years shower head, shower arm, plastic hand piece; 2 years hose, seals, o'rings; 1 year labour (refer to oliveri.com.au)
Maintenance and care instructions	All surfaces should be cleaned with mild liquid detergent or soap and water. Do not use cream cleaners or citrus based cleaning products, as they are abrasive. Use of unsuitable cleaning agents may damage the surface. Any damage caused in this way will not be covered by warranty.

