

HOME DATA SHEET

B3000 Sparkling Dual Levered

Billi™

Billi B3000 Sparkling with Dual Levered Slimline Dispenser

Refreshing chilled & sparkling filtered water conveniently at your fingertips. With ice bank technology providing superior capacity & recovery, the B3000 Sparkling is ideal for typical family use, glass after glass.

The stylish dual levered slimline dispenser is available in a range of finishes to complement any kitchen décor.

Supplied standard with 994052 sub-micron filtration from BWT to deliver the freshest tasting water and ensure the health of your family & guests.



Dual Slimline Dispenser

B3000 Sparkling Under-Bench Units



Features



* Italian designed Sparkling module

PRODUCT SPECIFICATIONS

Water type	Product code	Model name	Dispenser	Power supply (amps)	Suggested Usage
<p>CHILLED SPARKLING</p>	913100D	B3000 Sparkling	Dual Levered Slimline	10	<ul style="list-style-type: none"> • Drinking water filtration • Instant Chilled & Sparkling beverages • Cooking & Food preparation • Cocktails & Mocktails

Accessories

992810 - Slimline Font

990727 - Tubing Extension Kit for Slimline Sparkling 2mtrs



Finishes

Standard Finishes

CH - Chrome

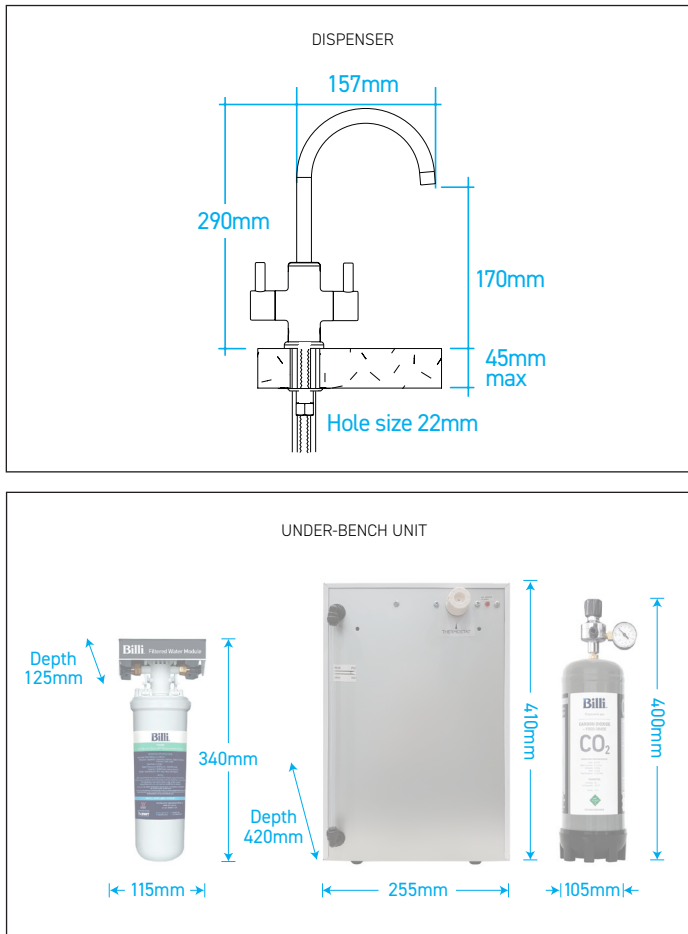
BR - Brushed

MB - Matte Black

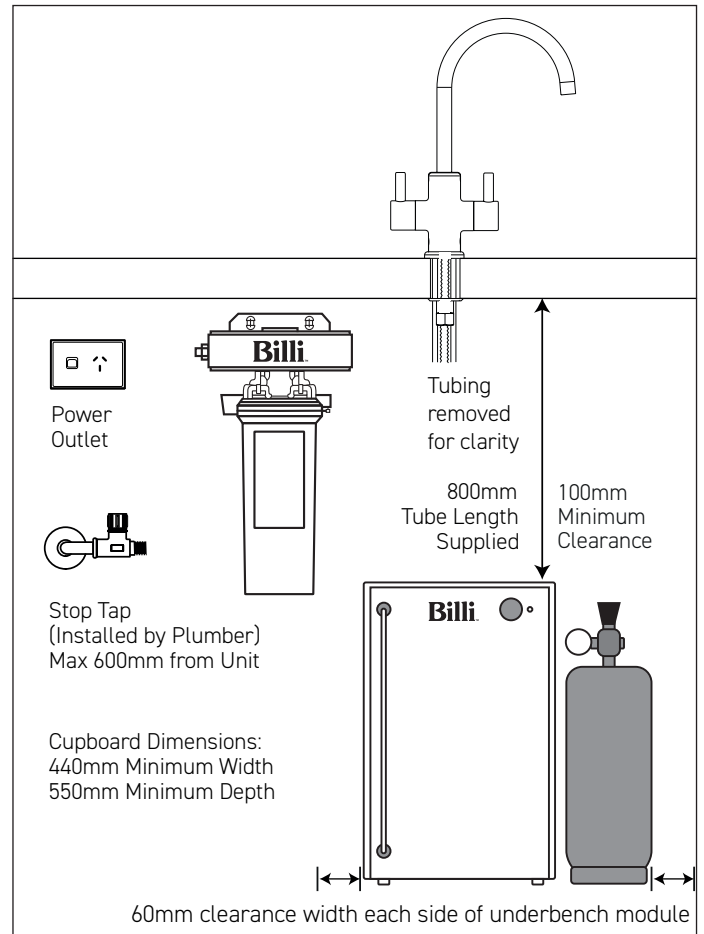
Add the Finish code to the Product Code to finalise your specification, eg. 913100DMB

TECHNICAL DRAWING & INSTALLATION REQUIREMENTS

PRODUCT DIMENSIONS



PREFERRED INSTALLATION LAYOUT



WATER SUPPLY

A single 1/2" BSP (15mm) stop-tap with a male thread should be installed in an easily accessible position. Water supply must be microbiologically safe to drink, with a minimum dynamic water pressure of 250kPa and a maximum of 1000kPa.

POWER SUPPLY

A standard 10 amp power outlet is required, no further than 1000mm from the underbench unit. The system is supplied with a 1 metre flex cord and plug.

FILTRATION

Billi's range of premium filters utilise BWT's unique Fibron X technology. Billi's filter range provides superior taste, water quality, consistent filter life and peace of mind when it comes to hygiene.

Filter supplied: 994052 (0.2 micron). Replacement filters available: 994051 (5 micron option), 994054 (HSD option), 994055 (XPHSD Fibron XP), 994056 (Sediment only) and 994060 (Micron HF Sediment Only).

CERTIFICATIONS

Every Billi drinking water appliance is manufactured under a certified quality control system. All Billi home range models have been tested and comply with all required standards including: Watermark: WM-022690; Tested to ATS5200.105 and AS/NZ 4020; ISO 9001:2015, QEC 11627; WELL Cornerstone Member.

CO₂ Cylinder

The CO₂ gas cylinder supplied must be secured in a suitable location. Each cylinder contains 1100g of CO₂ and should be installed in a well ventilated area. Each cylinder will provide between 200-350L of sparkling water depending on the unit settings. The MSDS is available on www.billi.com.au for a complete list of specifications and warnings. Replacement gas cylinders are available from Billi. CO₂ Cylinder - single 996911 or double 996912

WARRANTY

The Billi B3000 Sparkling Range is covered by a comprehensive 2 year warranty on all parts and labour.

Billi™

Billi Australia Pty Ltd
42 Lucknow Crescent,
Thomastown, Victoria
3074 Australia

P 1800 812 321
F +61 3 9469 0499
W www.billi.com.au

visit us at



Designed and manufactured in Australia to the highest quality standards