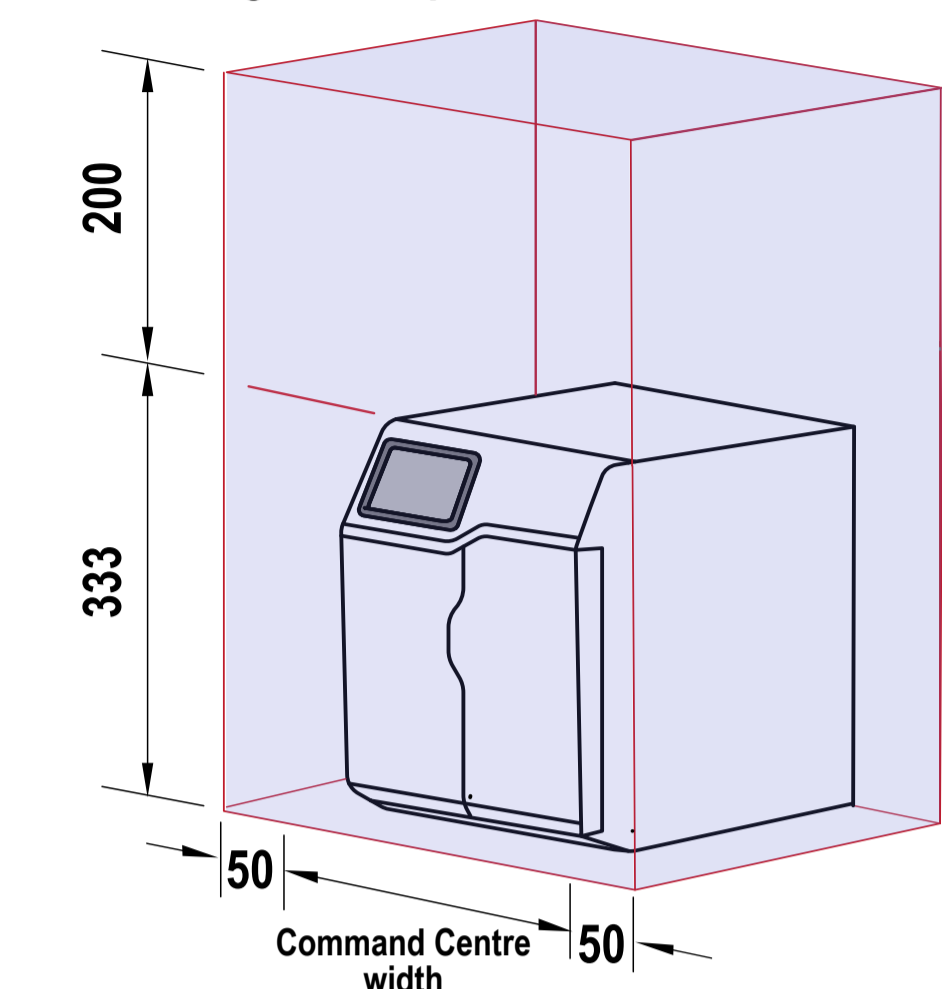


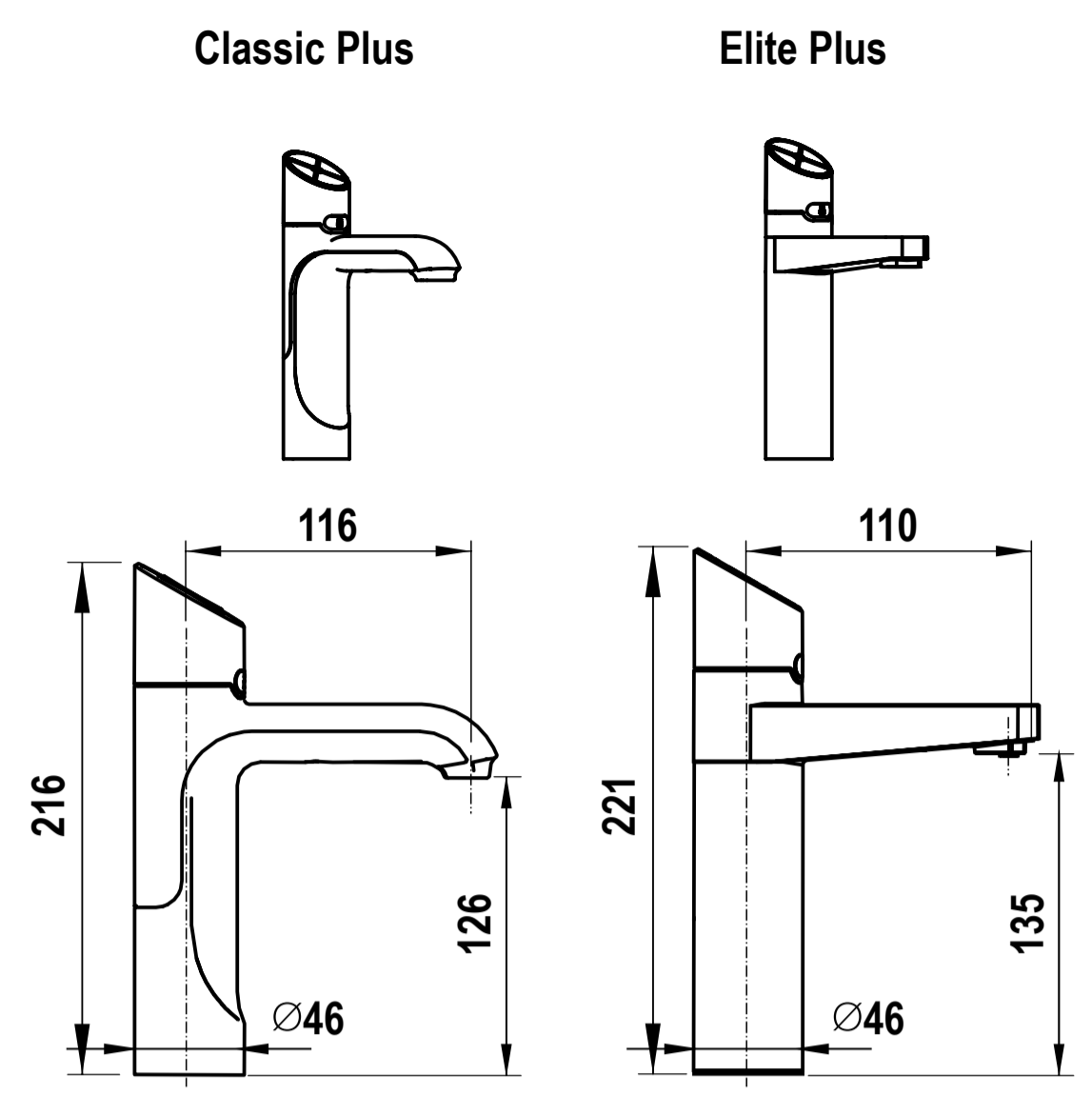
Ventilation requirements Contact your local service provider if ventilation is not suitable

Clearance envelope

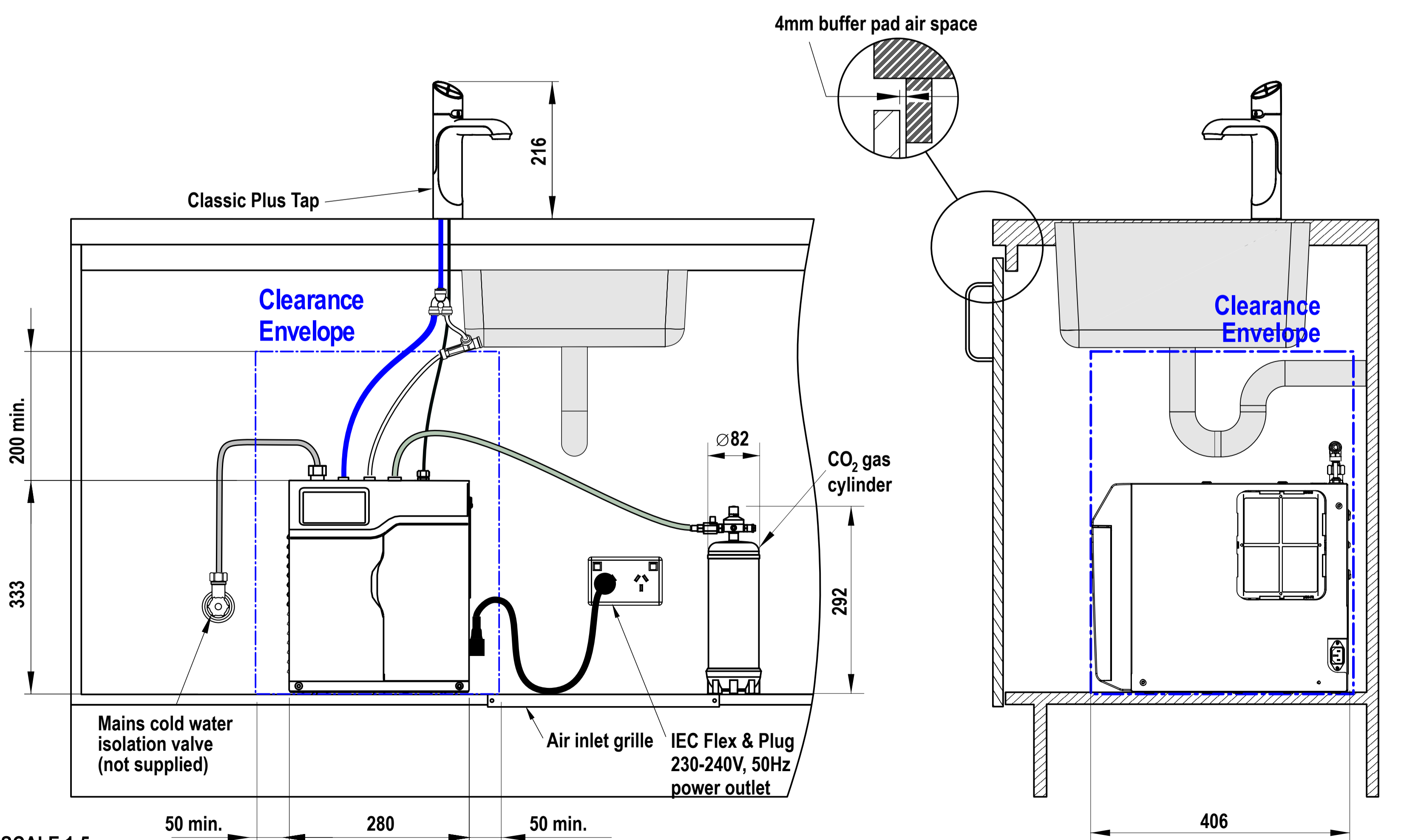
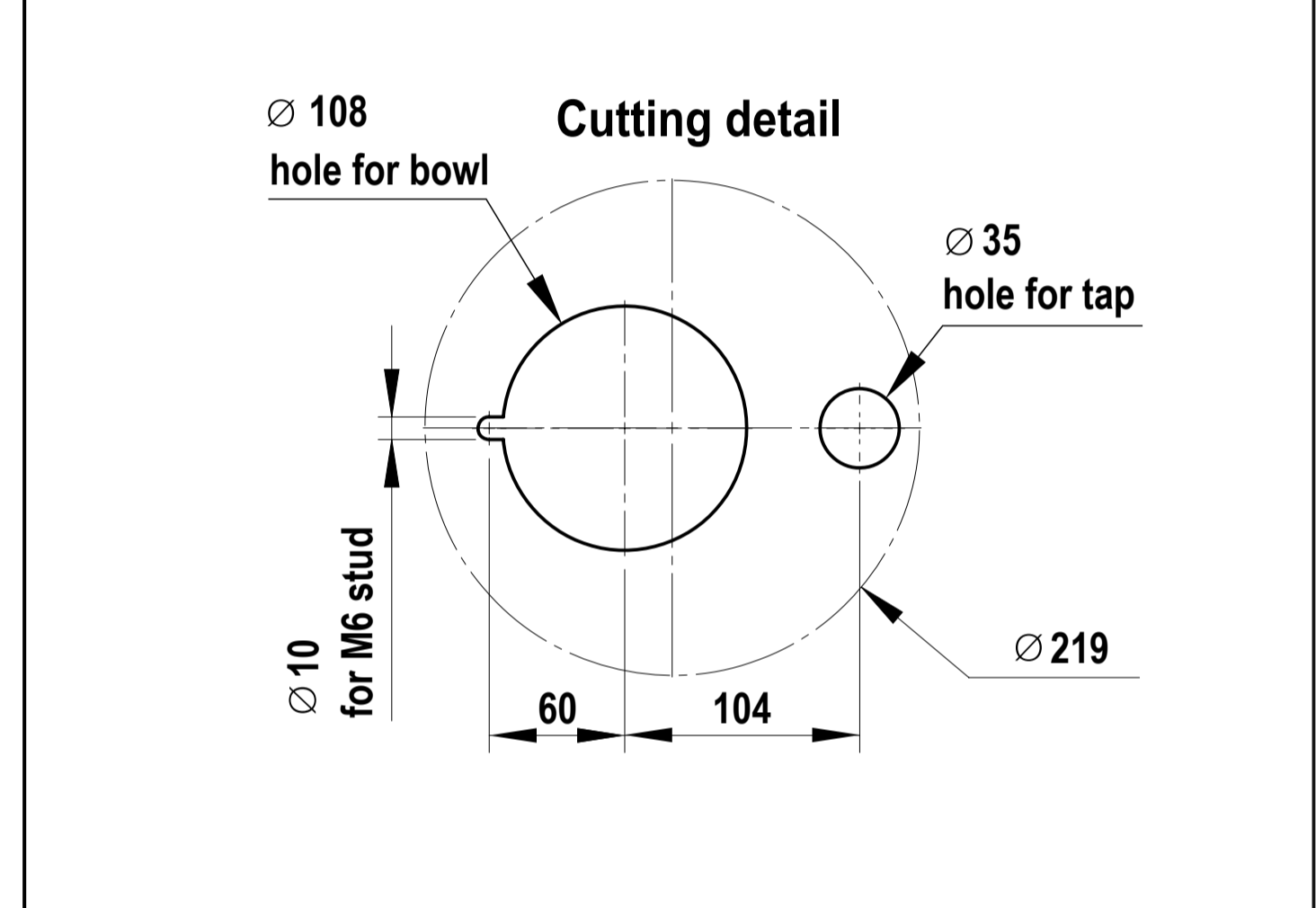
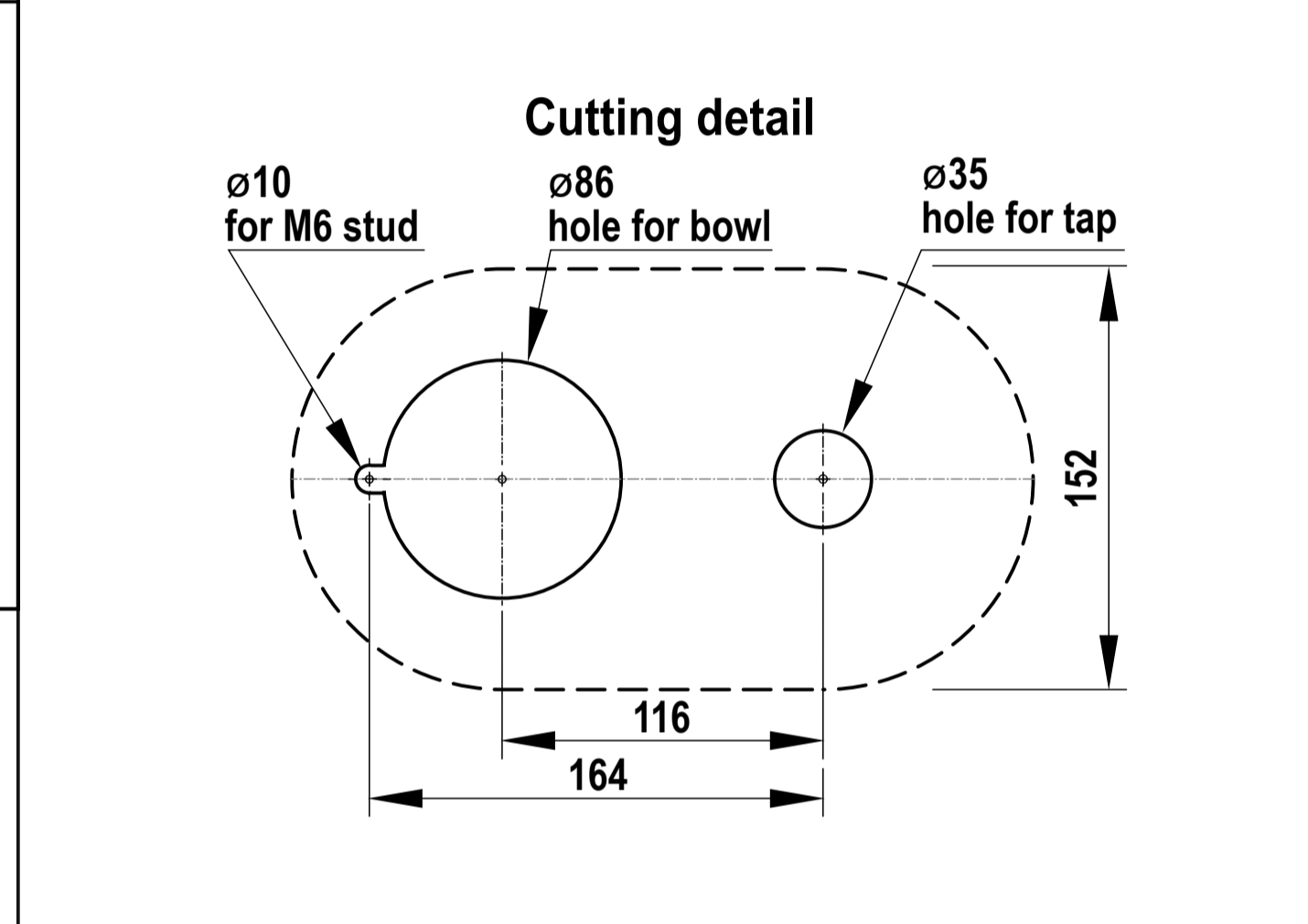
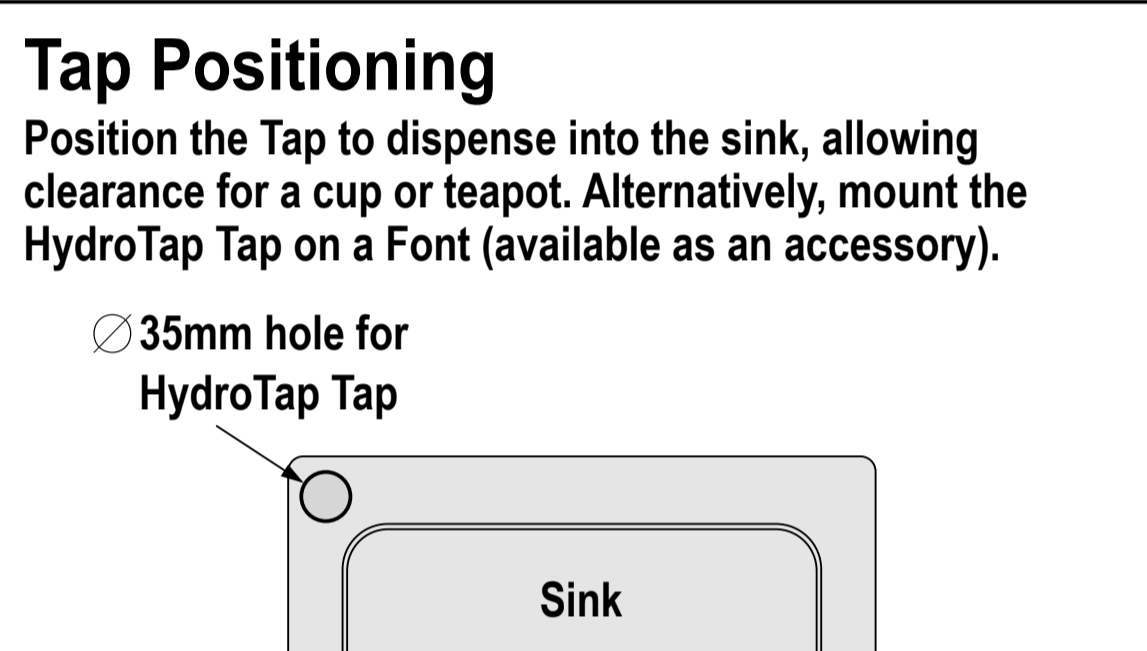
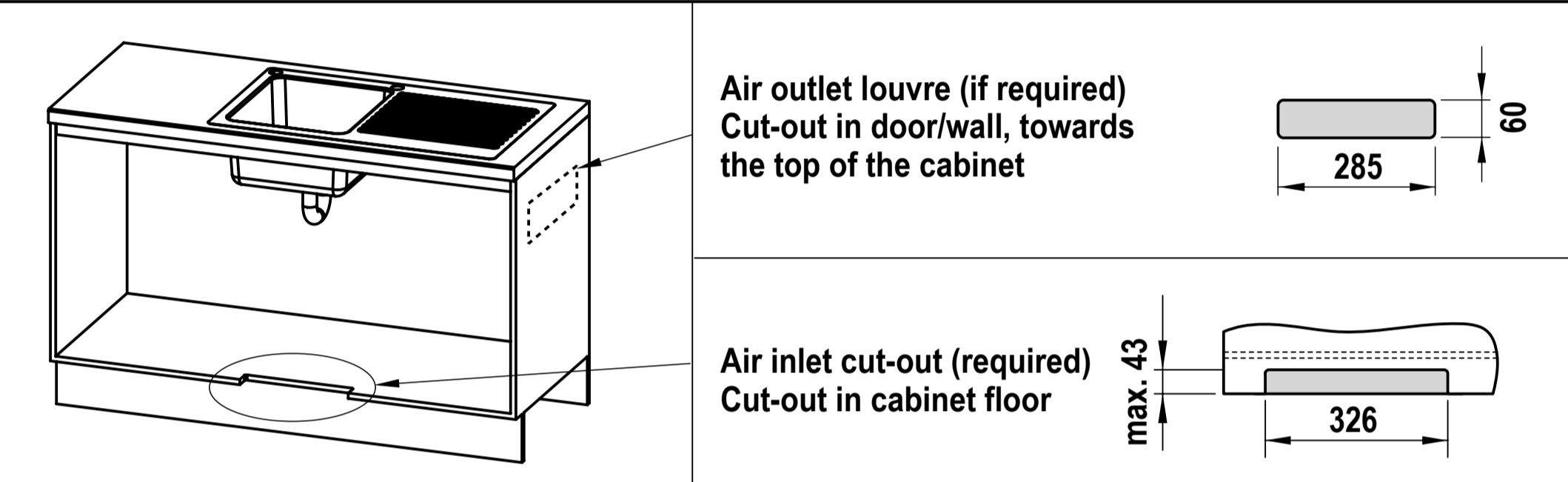
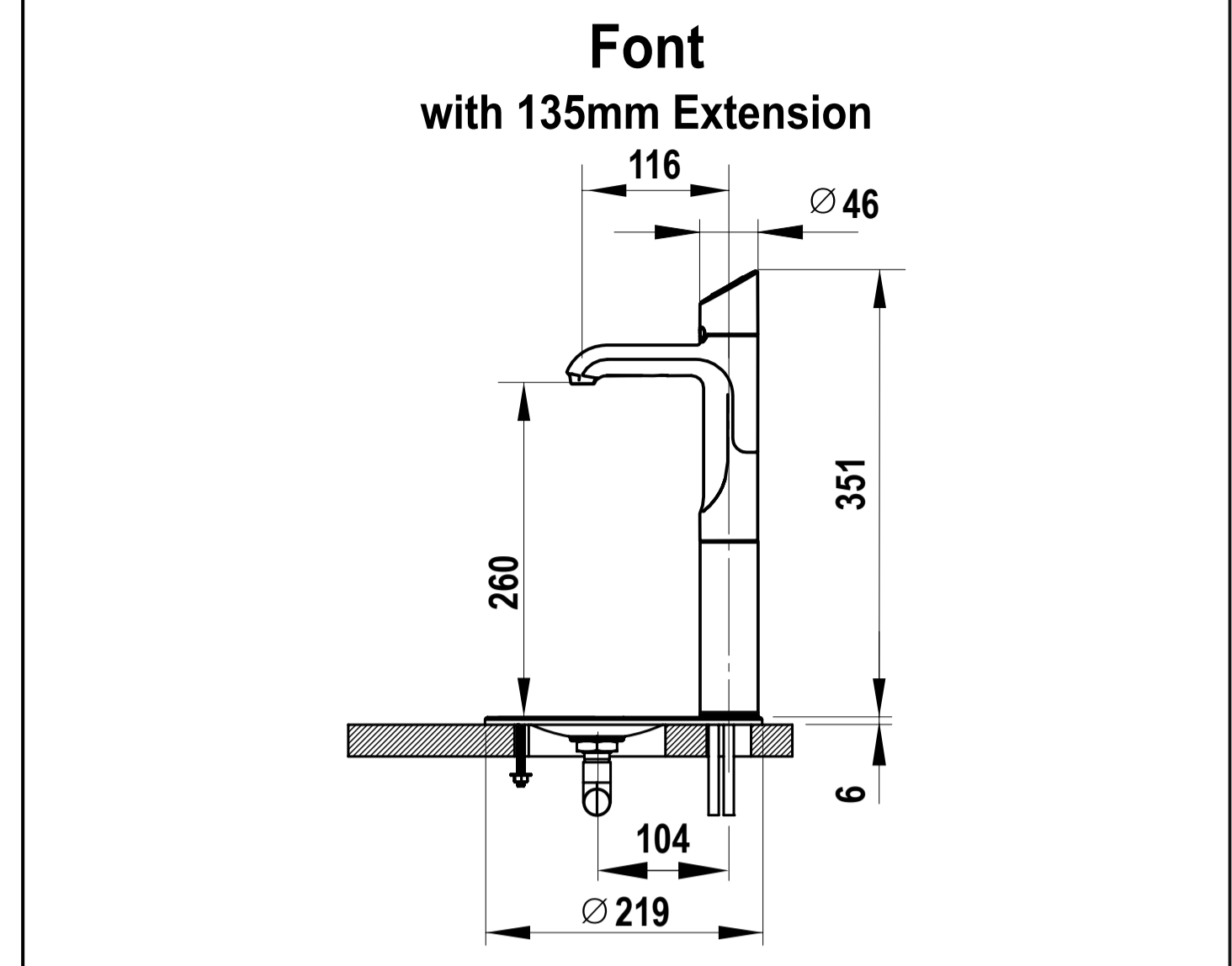
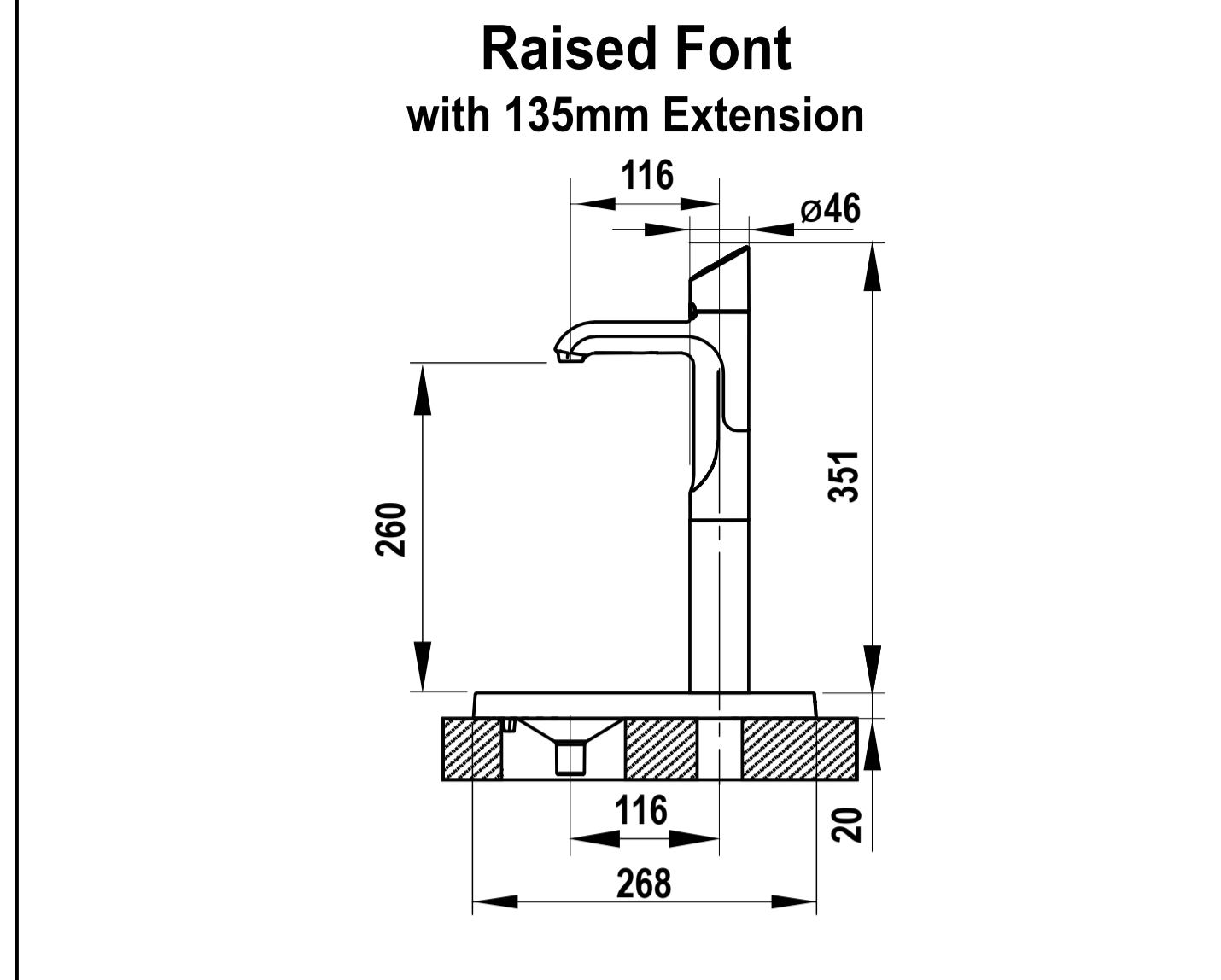
Position the Tap and the Command Centre as close together as possible.



HydroTap Tap options



Font options



**HydroTap G5
CS Home**

shown with "Classic Plus" Tap

SCALE 1:5
ALL DIMENSIONS IN MM UNLESS OTHERWISE SPECIFIED. INSTALLATION DIAGRAMS ARE FOR ILLUSTRATIVE PURPOSES ONLY. HOSES ARE NOT SHOWN TO SCALE AND CANNOT BE LENGTHENED.