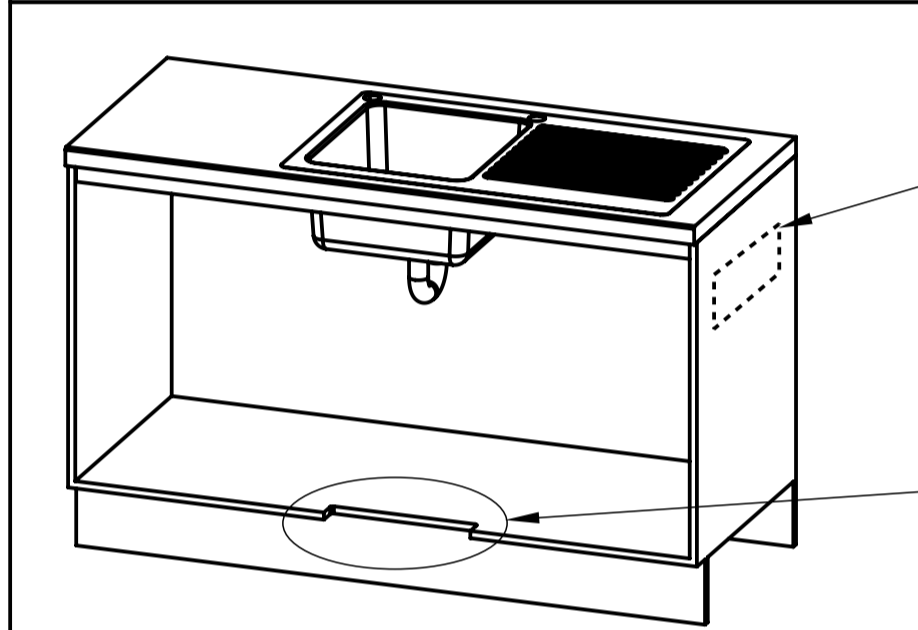
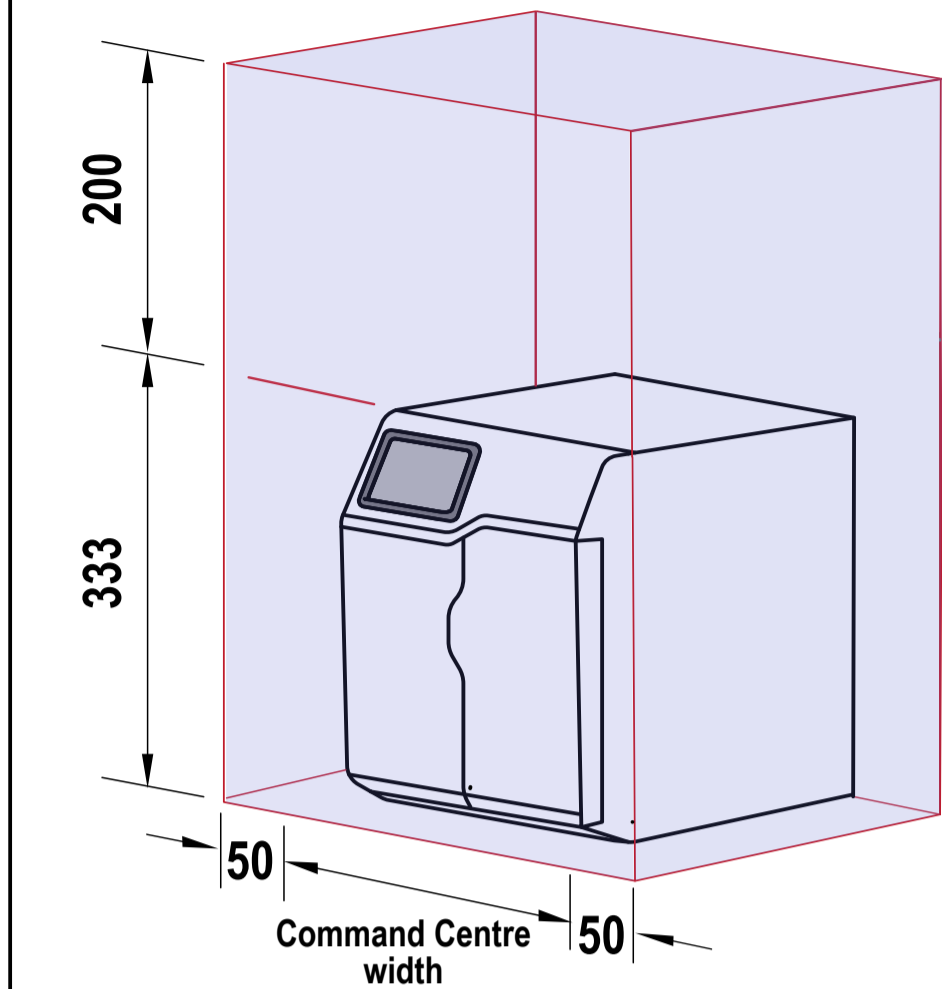


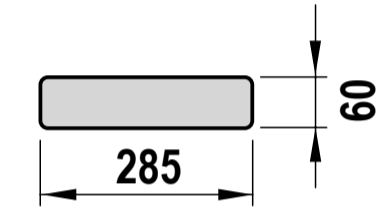
**Ventilation requirements** Contact your local service provider if ventilation is not suitable

**Clearance envelope**

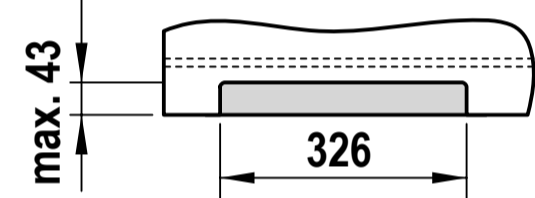
Position the Tap and the Command Centre as close together as possible.



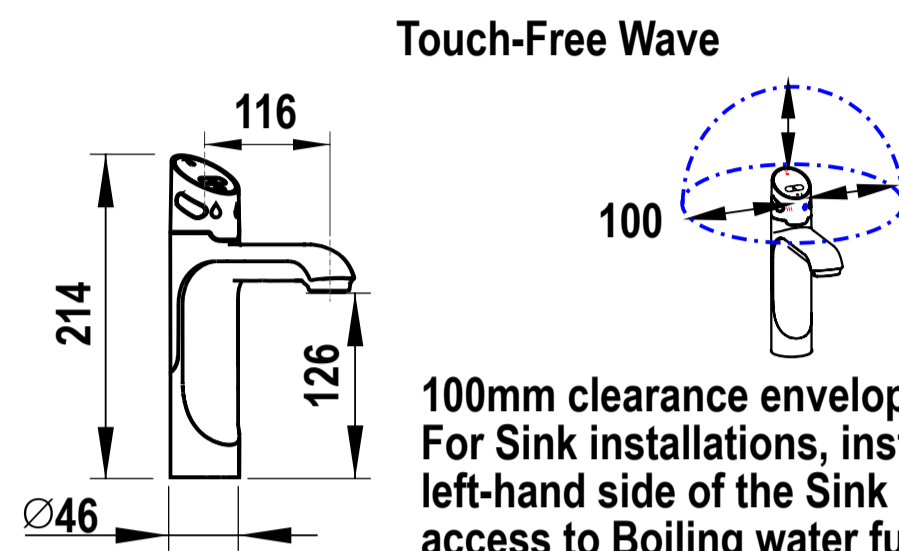
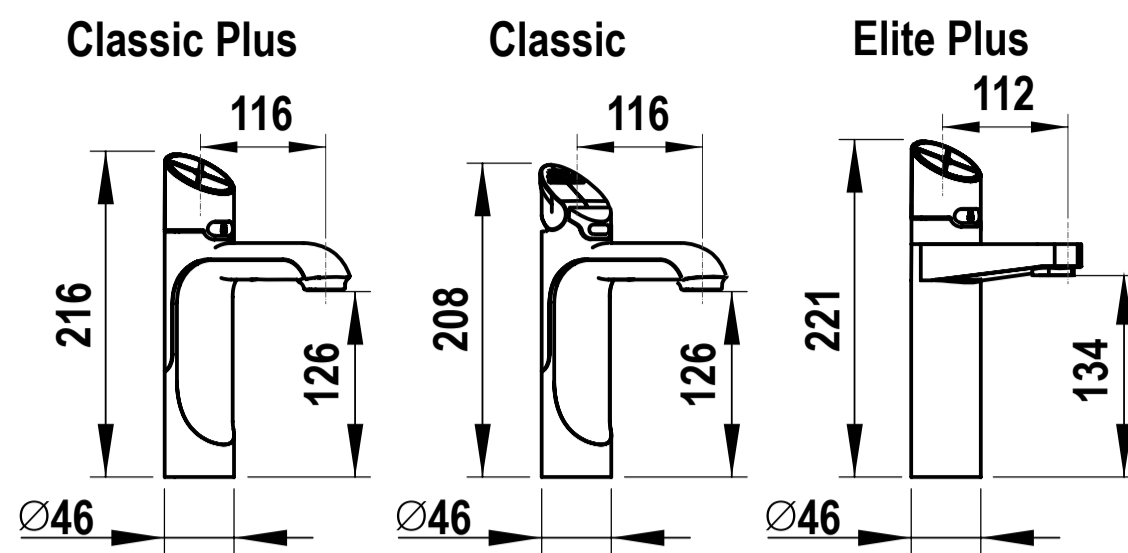
Air outlet louvre (if required)  
Cut-out in door/wall, towards the top of the cabinet



Air inlet cut-out (required)  
Cut-out in cabinet floor

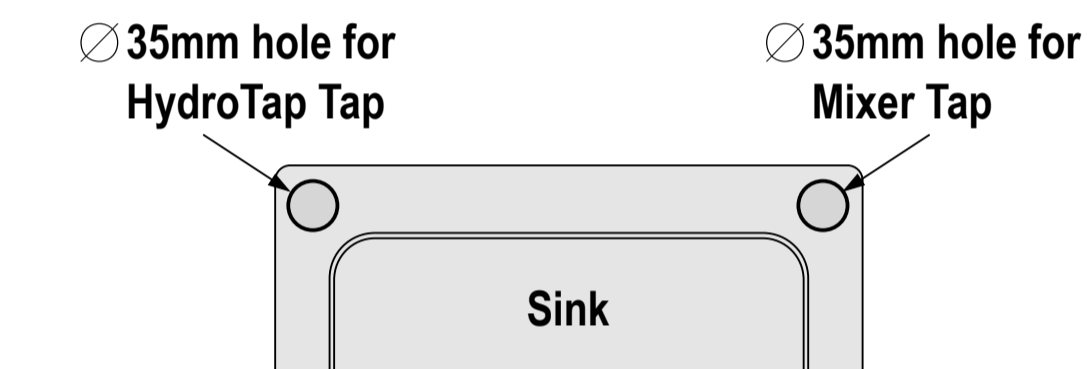


**HydroTap Tap options**



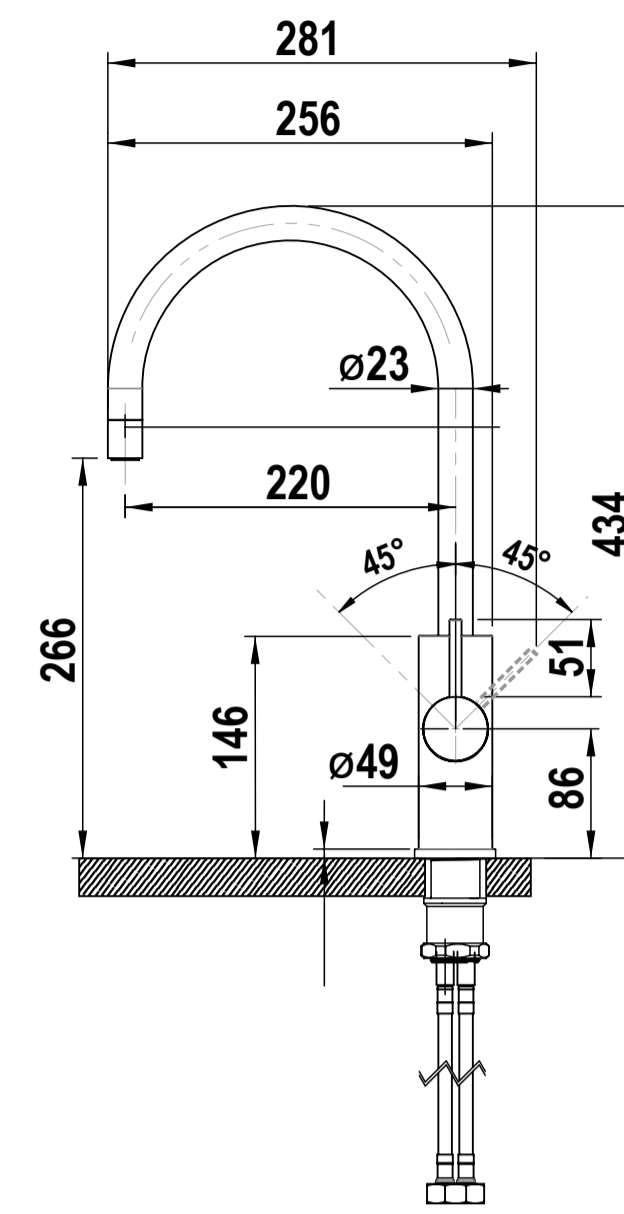
**Tap Positioning**

Position the Tap to dispense into the sink, allowing clearance for a cup or teapot. Alternatively, mount the HydroTap Tap on a Font (available as an accessory).

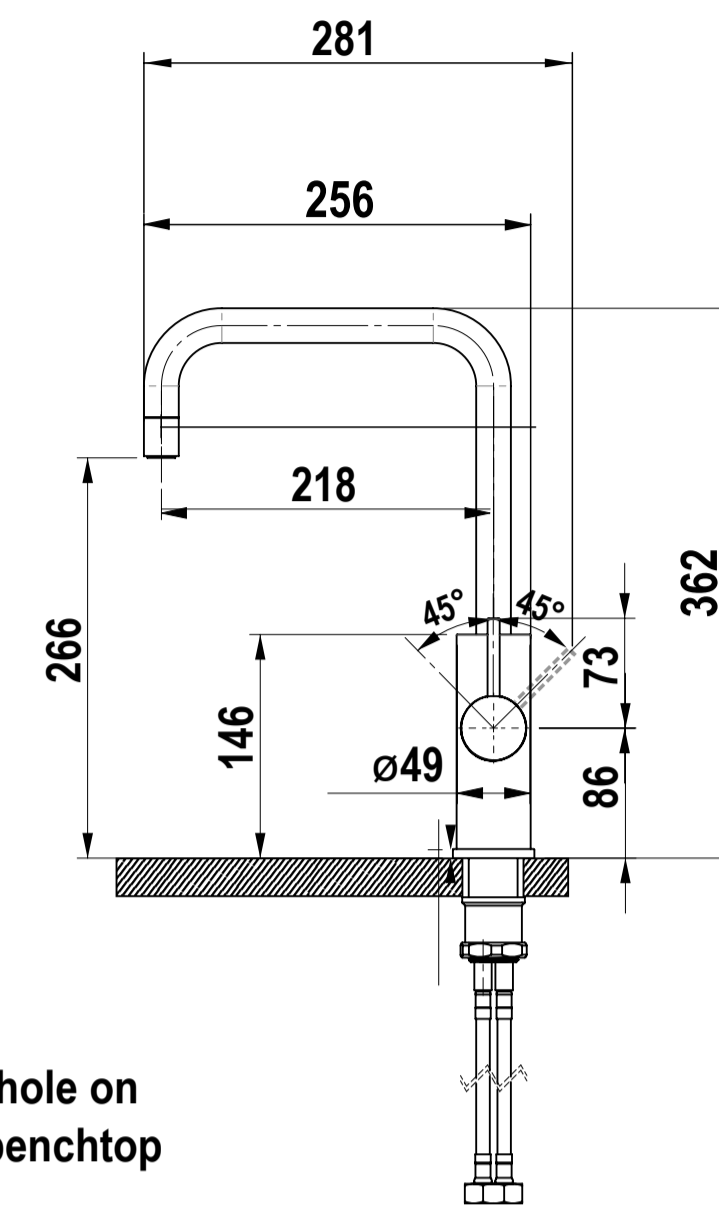


**Mixer Tap options**

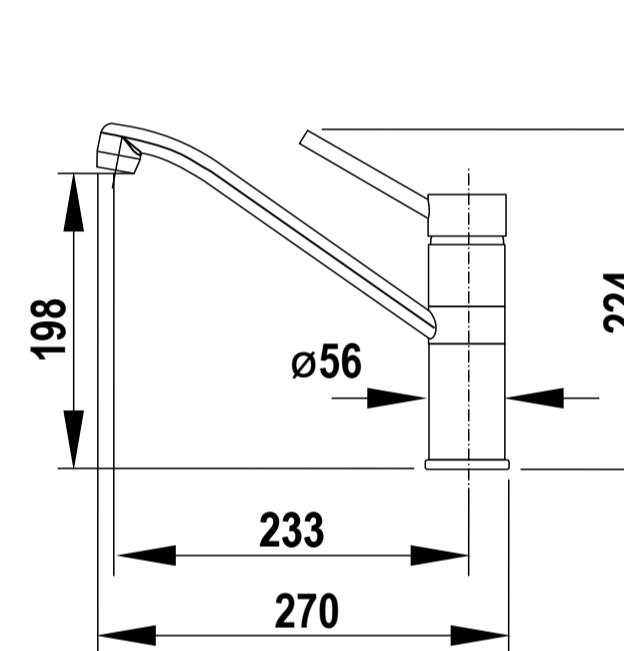
**Arc Mixer Tap**



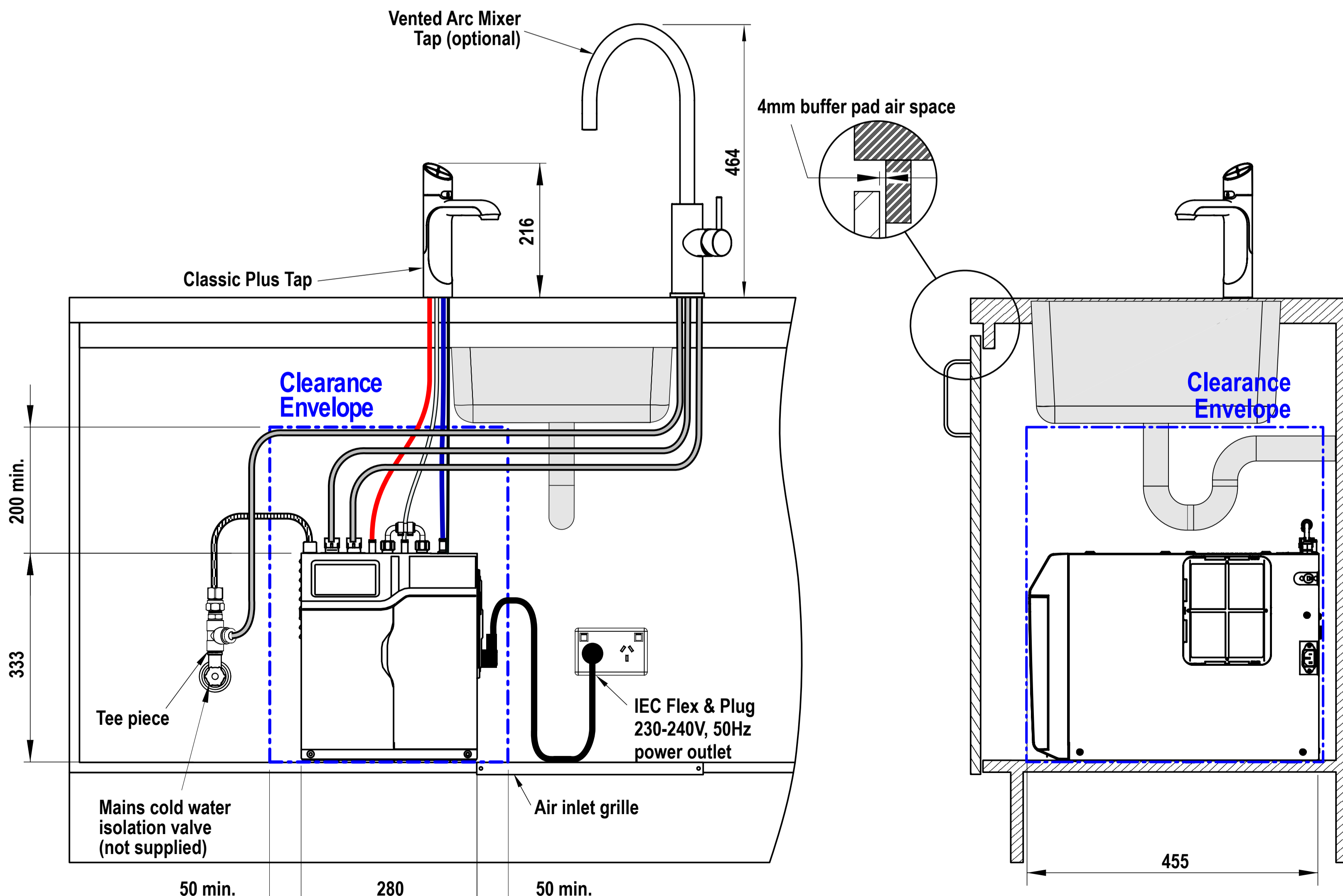
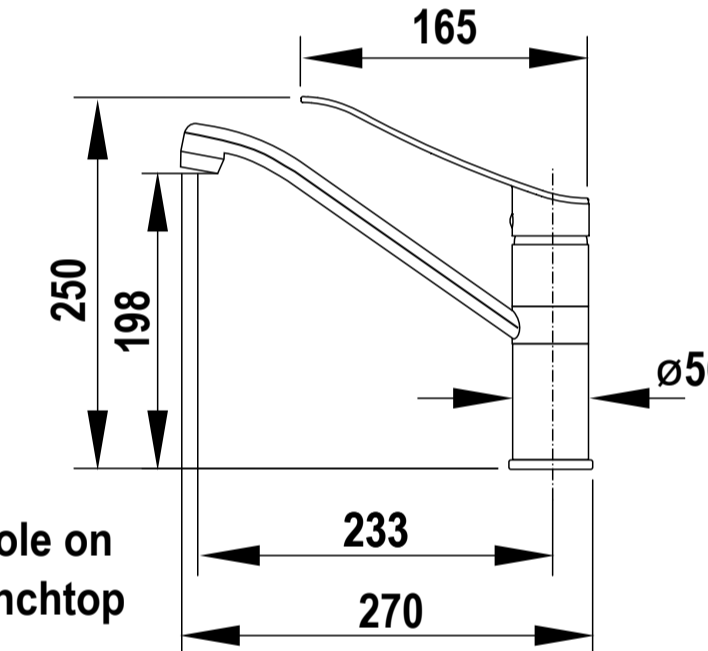
**Cube Mixer Tap**



**Classic Mixer Tap**

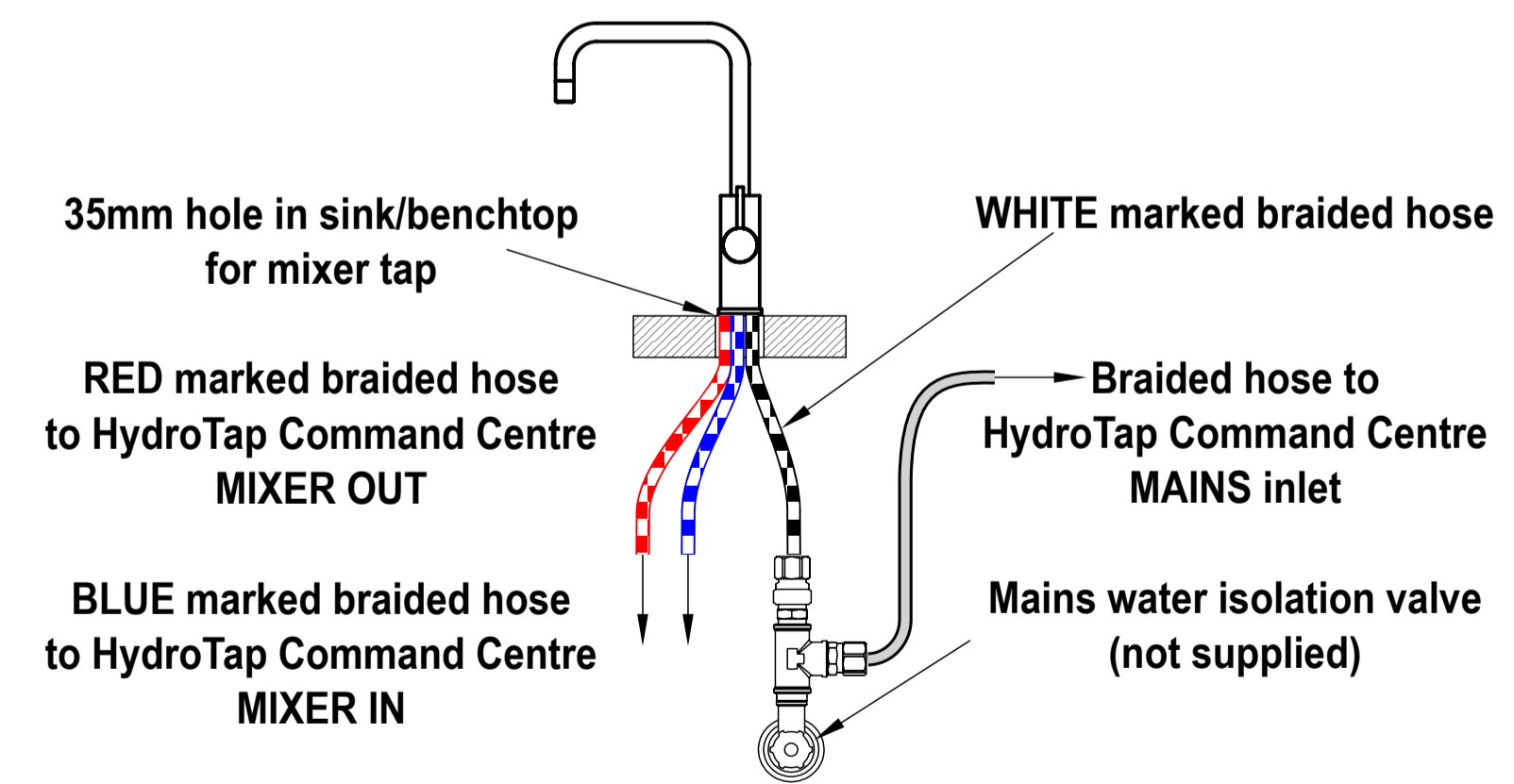


**Accessible Mixer Tap**



**Vented mixer tap installation**

Only cold water supply required



**HydroTap G5  
BC20 H**

shown with "Classic Plus" Tap and Arc Mixer Tap (V)