

# Grate Order Form

Editable PDF, please send to [orders@bespokebathware.com.au](mailto:orders@bespokebathware.com.au)

## Brass Patina Shade

Raw (#1)

Light (#2)

Medium (#3)

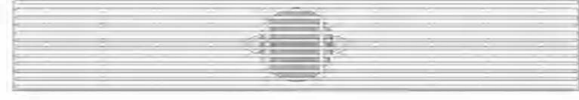
Dark (#4)

Ultra Dark (#5)

## Select Grate Style



Tile Insert



Heel Guard

## Tray Depths

Tile Insert

23/12mm

Other \_\_\_\_\_

Heel Guard

23mm

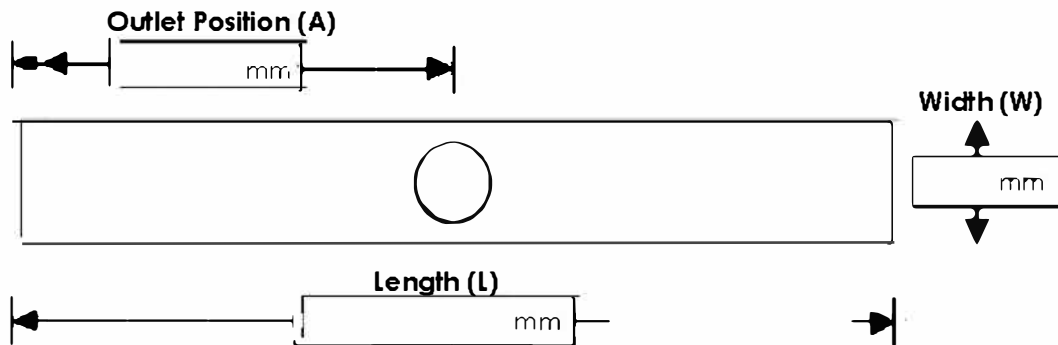
Other \_\_\_\_\_

32/12mm

32mm

32/20mm

## Please specify the following



## Offset Outlet

Please specify below if outlet is offset

## Outlet sizes

83mm

76mm

51mm

38mm