

# Axus Pin Wall Mount Basin/ Bath Mixer - 220mm spout

AX16225 - EXTERNAL PART ONLY

**WELS:** 6 star

**Litre/min:** 4.5L

**WELS License / Reg No:** 1483 / T34783

**Finishes available:**



^ PVD finish

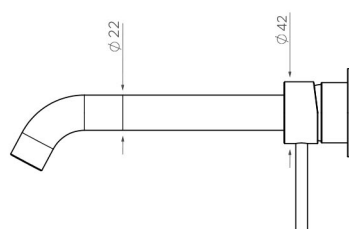
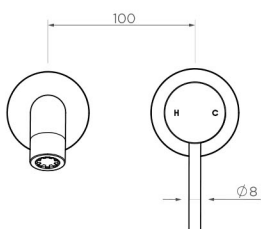
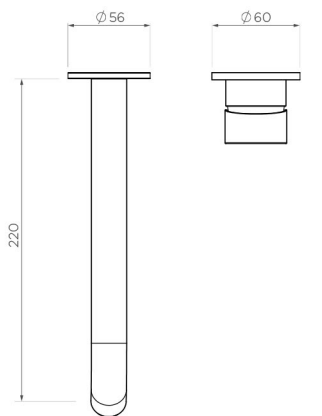


**INFORMATION**

Pressure Rating 150 - 500kPa Hot and cold water inlet pressures should be equal.

**CARE AND MAINTENANCE**

- All surfaces should be frequent cleaned with a mixture of mild, pH neutral soap and warm water with a soft cloth
- Do not use abrasive clothes, scouring pads on surfaces
- Do not use harsh cleaning agents i.e. cream cleaners or citrus based cleaners (see cleaning leaflet for comprehensive list)



**WARRANTY**  
15 years

\*Conditions apply.

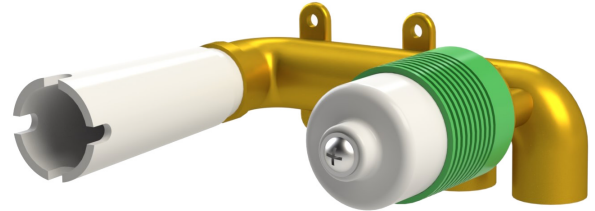
# Arcisan universal in-wall body for basin/ bath mixer

ARB0120

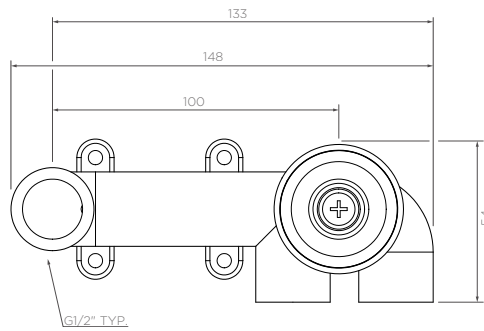
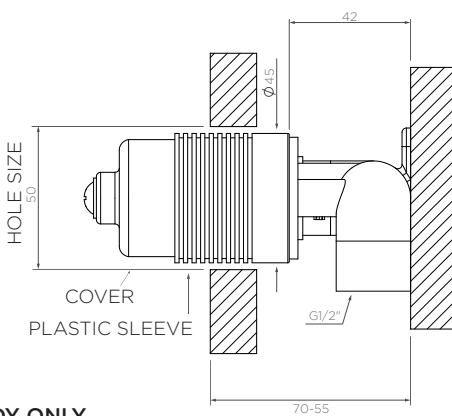
## INFORMATION

Pressure Rating  
150 - 500kPa

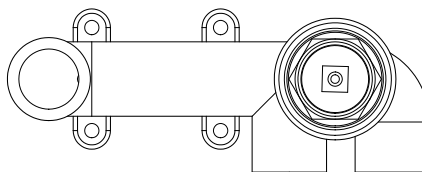
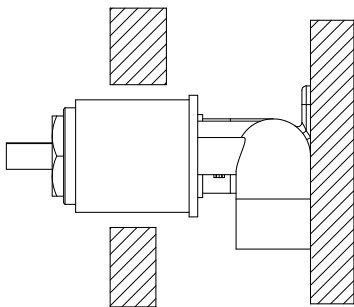
Hot and cold water inlet pressures  
should be equal.



### BODY WITH REMOVABLE COVER/PLASTIC SLEEVE



### BODY ONLY



**WARRANTY**  
15 years

\*Conditions apply.