

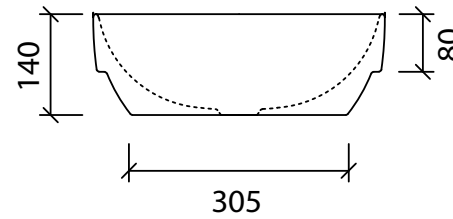
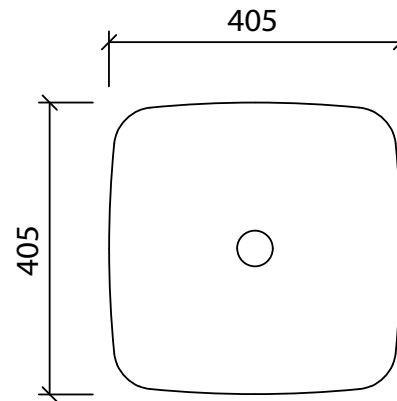
## Addison

**WG** White Gloss  
ADD-BS-400-WG-S

**WM** White Matt  
ADD-BS-400-WM-U



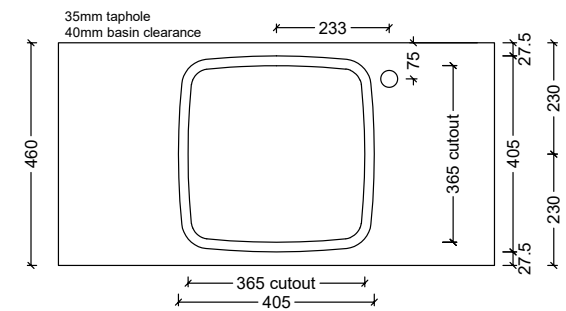
Inset



Drawings

### Taphole Offset

**Note:** Offset or wall mounted tapware required.



Cut Out Specifications

**Approx Capacity:** 9.5L

**Cut Out Size:** 365w x 365d

**Waste Size:** 32mm without overflow

**Note:** Due to the manufacturing process, ceramic basins will vary from their nominal stated sizes. Use the dimensions provided as a guide only. Waste not included. Refer to brochure for pricing.