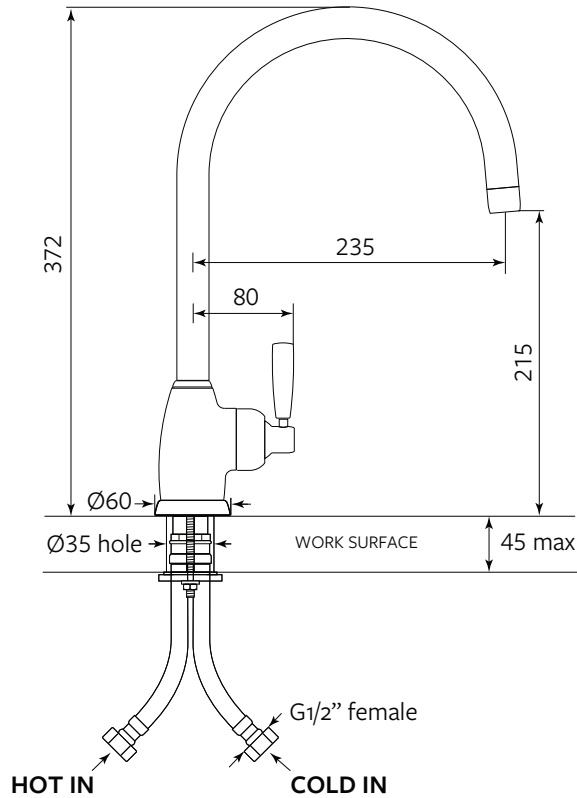


# Roeburn

AUSH.4841



MODEL	CODE
Roeburn - Chrome	AUSH.4841CP
Roeburn - Nickel	AUSH.4841NI
Roeburn - Pewter	AUSH.4841PF
Roeburn - English Bronze	AUSH.4841EB
Roeburn - Satin Brass	AUSH.4841SB
Roeburn - Polished Brass	AUSH.4841BR
Roeburn - Gold ( <i>special order</i> )	AUSH.4841IG

*Also Available: Roeburn with Spray Rinse (AUSH.4846) Please note, spray rinse cannot be added to the standard mixer later.*

**Features include:**

- Handcrafted in the United Kingdom using DZR brass
- Single metal lever handle with engraved temperature indicators
- 1/4 turn German ceramic disc flow control
- Vernier insert for accurate handle alignment
- 15 Year warranty. Please visit our website for individual finish warranties

Temperature range: Min 1°C. Max 70°C  
 Working Pressure: Min 1 Bar/15psi. Max 5 Bar/75psi  
 Packed Weight: 2.97kg  
 Flow Rates: 1 Bar: 5.9L/min  
 2 Bar: 9.7L/min  
 3 Bar: 12.5L/min

