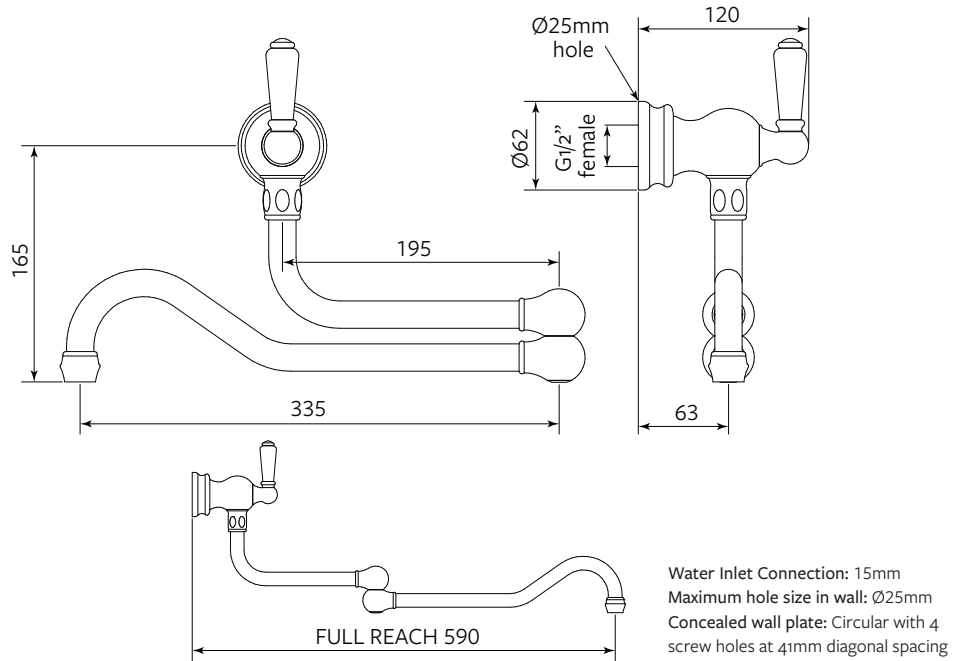


Pot Filler

AU.4417



Water Inlet Connection: 15mm
Maximum hole size in wall: Ø25mm
Concealed wall plate: Circular with 4 screw holes at 41mm diagonal spacing

MODEL	CODE
Pot Filler - Chrome	AUSH.4417CP
Pot Filler - Nickel	AUSH.4417NI
Pot Filler - Pewter	AUSH.4417PF
Pot Filler - English Bronze	AUSH.4417EB
Pot Filler - Satin Brass	AUSH.4417SB
Pot Filler - Polished Brass	AUSH.4417BR
Pot Filler - Gold (<i>special order</i>)	AUSH.4417IG



Features include:

- Extendable pot filler with articulating arm
- Fully extended reach of 590mm
- Ideally wall mounted above cooktop
- Supplied with concealed wall mounting plate, wall plugs and screws
- Single white porcelain lever handle
- Handcrafted in the United Kingdom using DZR brass
- 1/4 turn German ceramic disc flow control
- Flow regulated to 8.3L/min
- 15 Year warranty. Please visit our website for individual finish warranties

- Suitable for mains, low and unequal water pressure. Max. inlet pressure 500kPa, in accordance with the Plumbing Code of Australia
- To install, simply measure the desired height above the tallest pot on the stove top. Direct your Plumber to connect a cold water supply and use the supplied mounting kit to fix the pot filler to the wall

Temperature range: Min 1°C. Max 85°C
Working Pressure: Min 1 Bar/15psi. Max 5 Bar/75psi
Packed Weight: 3.15kg

