



FONT KIT STAND ALONE BRUSHED NICKEL

Order Code 93441Z11

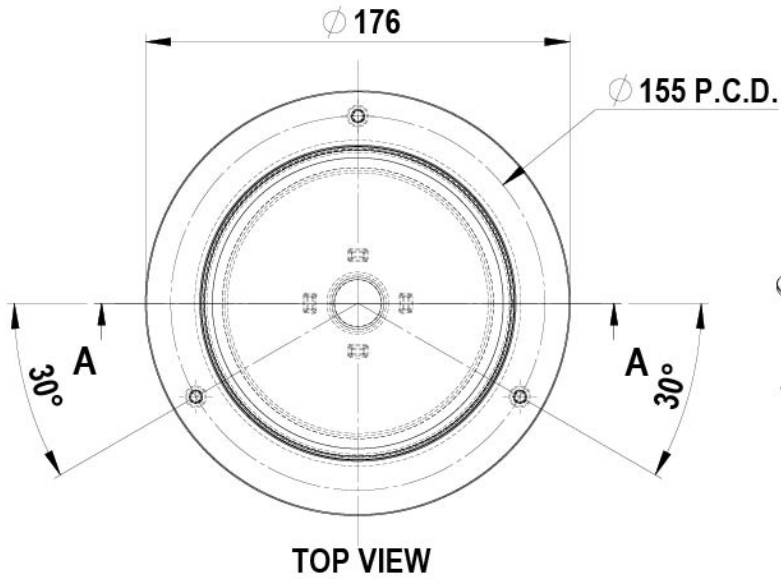
Font Kit Stand Alone Assembly Brushed Nickel - fits Arc Plus and Cube Plus

Manufacturing Code 93441Z11

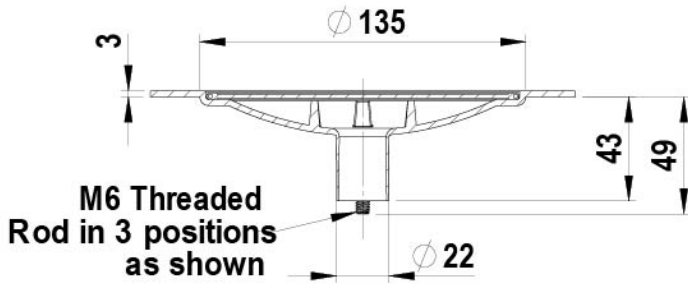
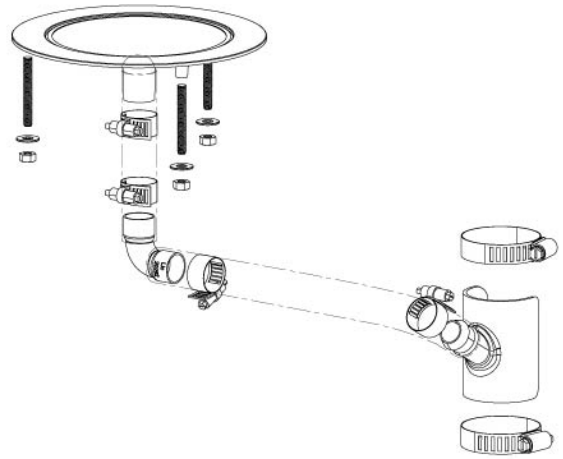


Installation Requirements

Installation Detail



TOP VIEW



SECTION A-A
SCALE 1 : 1.5

93441 Stand Alone Font