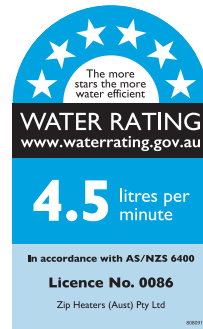


Installation instructions

Zip HydroTap G5



Celsius Plus All-In-One Pull-Out
All models



Pull-Out Sprayer and Mixer



Australia



UK

Visit our website to
download the manuals

Table of contents

SECTION 1: Using these instructions	3
SECTION 2: Generic installation requirements	4
2.1 Tools needed for tap installation	4
2.2 Water supply pressure requirements	4
SECTION 3: Installation - Celsius Plus All-In-One (AIO) Pull-Out	4
3.1 Position the tap	4
3.2 Position the Hose Management System, cut the tap hole	4
3.3 Align the Hose Management System	5
3.4 Install the Hose Management System Bracket	6
3.5 Familiarise yourself with the mains connections.....	7
3.6 Familiarise yourself with the Hose Management System connections.....	7
3.7 Familiarise yourself with the tap connections.....	8
3.8 Mount and secure the tap & connect together	9
3.9 Install the Pull-Out hose	10
3.10 Install the Hose Management System	11
3.11 Connect the water supply	12
3.12 Familiarise yourself with the Command Centre connections	12
3.13 Be careful with the sparkling pipework	13
3.14 Post Installation.....	13
SECTION 4: Cleaning and maintenance	14
4.1 Cleaning	14

SECTION 1: Using these instructions

1.1 Using these instructions

Please refer to all safety and installation requirements detailed in the Quick Start Guide provided with the HydroTap Command Centre, and HydroTap Command Centre installation instructions found online, prior to installation of, or any change to, the complete system.



WARNING



**Read the
instructions**

**Before commencing the installation, download
& read the HydroTap Command Centre
installation instructions.**

SECTION 2: Generic installation requirements

2.1 Tools needed for tap installation

In addition to normal tools, the following (or equivalent equipment) will be required, (not supplied).

- 50mm diameter hole saw to suit bench top type.
- Tube spanner (kit no. 93167) for fixing the tap assembly.
- Hose alignment tool (kit no. 96466).



Be aware of the risks of hazards which could cause harm when using tools.
Assess the risks before starting the installation.

2.2 Water supply pressure requirements

	Min - Max pressure, kPa (bar)	
	Australia	UK
Celsius Plus AIO Pull-Out Tap	250 (2.5) - 700 (7.0)	250 (2.5) - 500 (5.0)
Optimal water pressure		350kPa

SECTION 3: Installation - Celsius Plus AIO Pull-Out

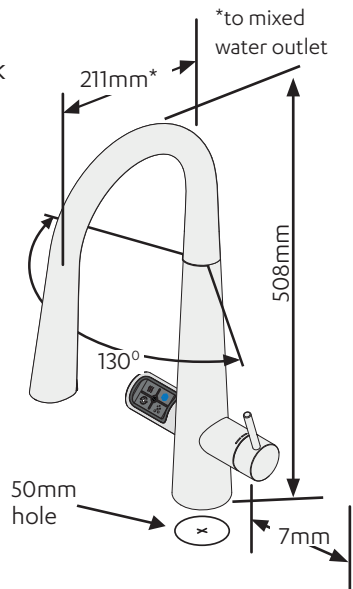
3.1 Position the tap

Position the tap such that it dispenses into the sink bowl with clearance to dispense all water options.



Ensure that taps are positioned to minimise the risks of scalding by dispensing boiling water while using the tap.

- Check that there is enough space for the tap and spout rotation (see adjacent).



SECTION 3: Installation - Celsius Plus AIO Pull-Out

3.2 Position the Hose Management System, cut the tap hole

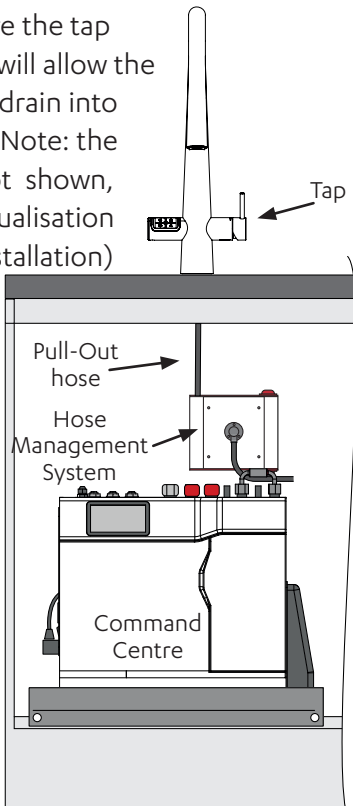
Ensure that the tap dispenses into the sink with clearance to dispense all water options.



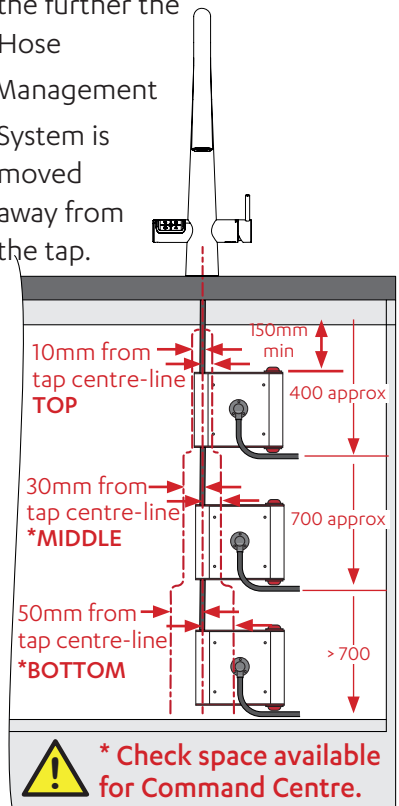
Ensure that taps are positioned to minimise the risks of scalding by dispensing boiling water while using the tap.

If fitting the Hose Management System lower in the cupboard, check that there is enough space for the Command Centre.

- Position Command Centre and tap as close together as possible.
- Ensure that the Hose Management System is positioned correctly (see adjacent).
- Cut a 50mm hole for the tap.
- Make sure the tap location will allow the spout to drain into the sink. Note: the sink is not shown, to aid visualisation of the installation)



- The Pull-Out hose must be in line with the centre of the 50mm hole, this is important for the performance of the tap, with max. offset shown below.
- There is more allowable offset the further the Hose Management System is moved away from the tap.



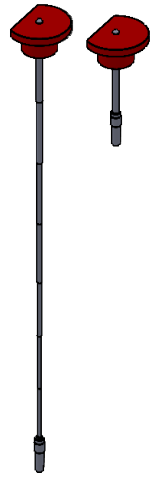
SECTION 3: Installation - Celsius Plus AIO Pull-Out

For optimal performance of the pull-out hose, the Hose Management System must be installed so that the pull-out hose is in vertical alignment with the tap base.

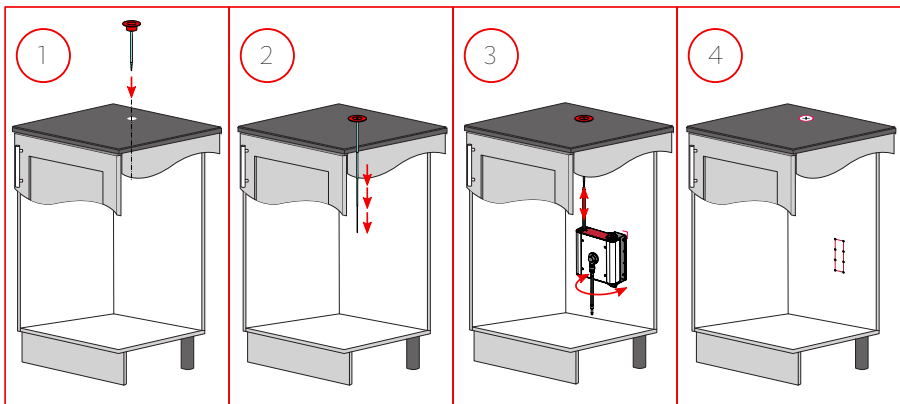
The Hose Management System can be installed at different heights below the tap hole. The Hose Management System is designed with a hinged bracket to allow correct angled positioning below the tap hole.

3.3 Align the Hose Management System

- Choose an approximate location on the wall to mount the Hose Management System.
- Place Hose Alignment tool in the 50mm hole.
- From beneath the benchtop, extend the Hose Alignment tool, to the desired height. It does NOT need to be fully extended.
- Position the Hose Management System so that the Pull-Out Hose is aligned with the Hose Alignment tool.
- Mark the top and right side of the bracket using a pencil. Measure the distance from the edge of the wall to the top and to the bottom of the bracket to ensure it is vertical to the wall.

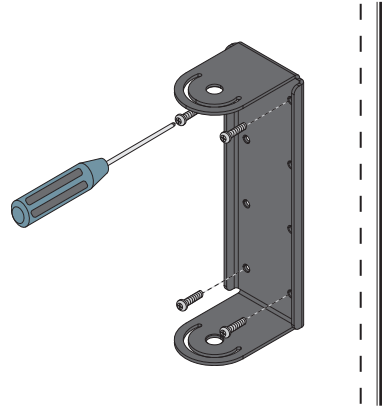
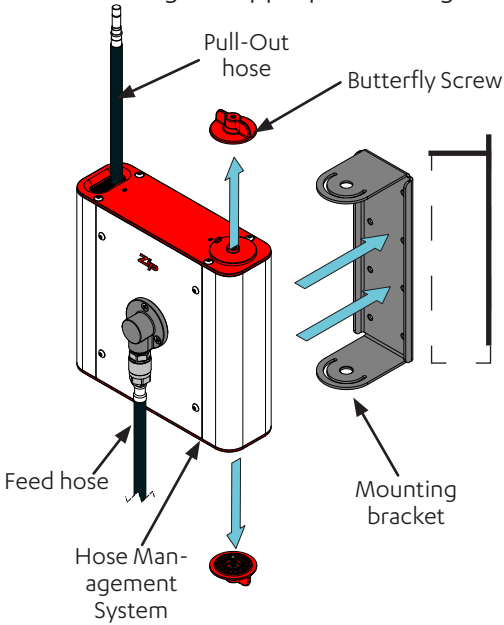


Hose Alignment Tool

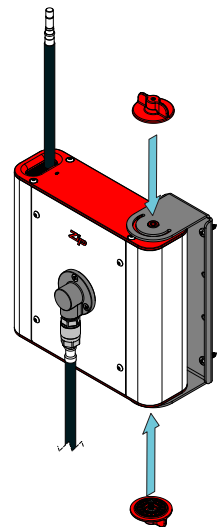


3.4 Install the Hose Management System Bracket

- Unscrew the bracket and the two butterfly screws.
- Remove the mounting bracket from the Hose Management System.
- Fit the bracket to the wall with a single screw and check level. Wood screws are supplied, if wall mounting use appropriate fixings.
- Complete fixing the bracket by using remaining 3x screws.
- Ensure the bracket is mounted vertically.



- Once the bracket is installed, rotate the Hose Management System in the bracket to align the Pull-Out hose with the tap hole in the bench above.
- Fit the butterfly screws on the bracket but do not tighten the butterfly screws at this stage.
- To feed the Pull-Out hose through the tap, see 3.9.

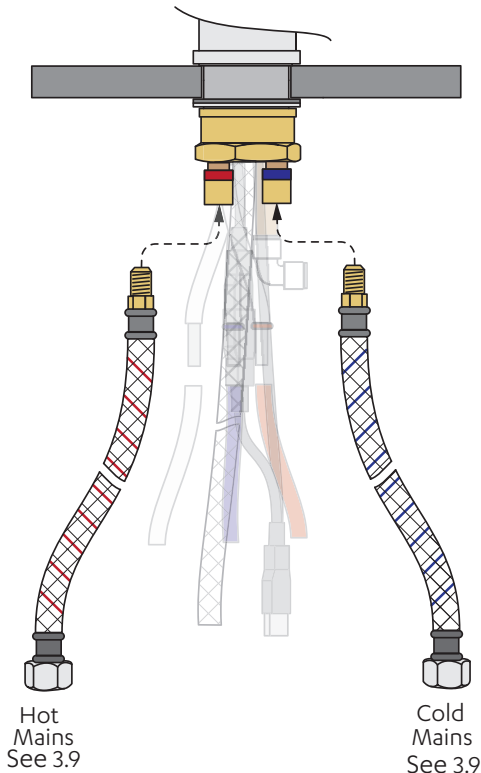


SECTION 3: Installation - Celsius Plus AIO Pull-Out

Review section 3.5 to 3.7 to familiarise yourself with the tap assembly before making connection.

3.5 Mains water connections

- The hose colours match to the tap colour idents.
- **RED** - hot.
- **BLUE** - cold.

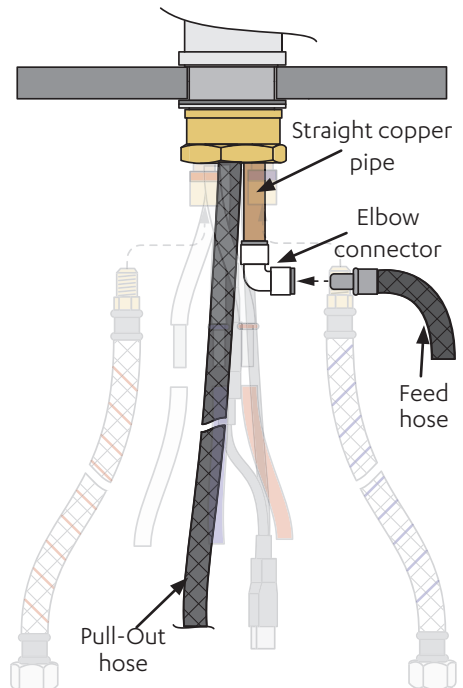


3.6 Hose Management System connections

- The Feed hose connects to the elbow connector on the straight copper pipe.
- Pull-Out hose connects to the tap spray head, see page 10.



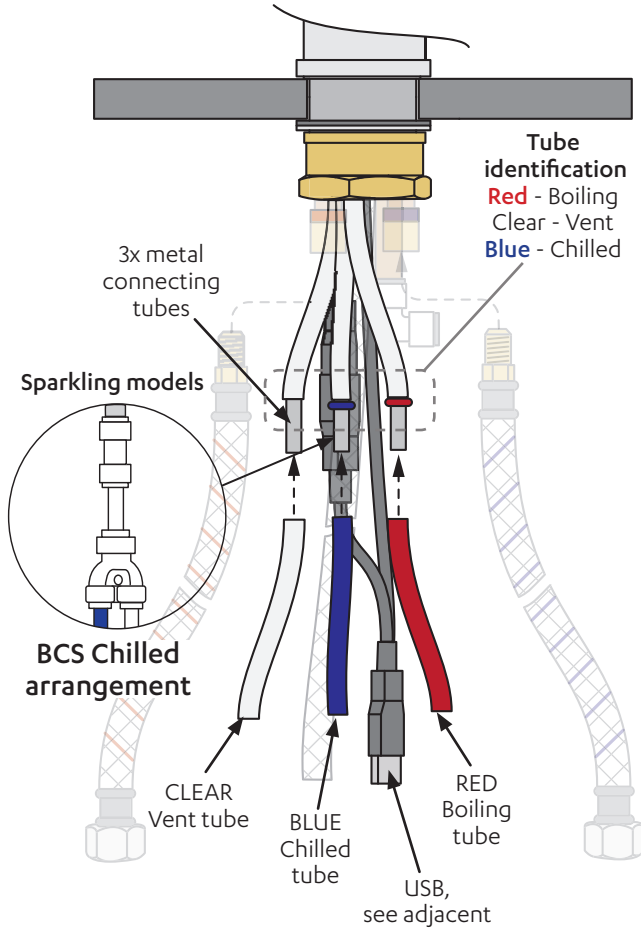
Feed hose and Pull-Out hose are not interchangeable.



3.7 Tap connections

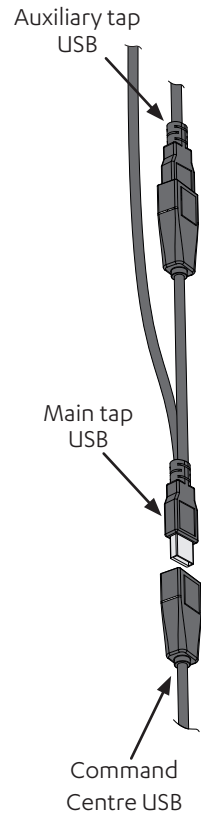
Water connections

- The silicone tubes connect to the Command Centre via the 3 metal connecting tubes:

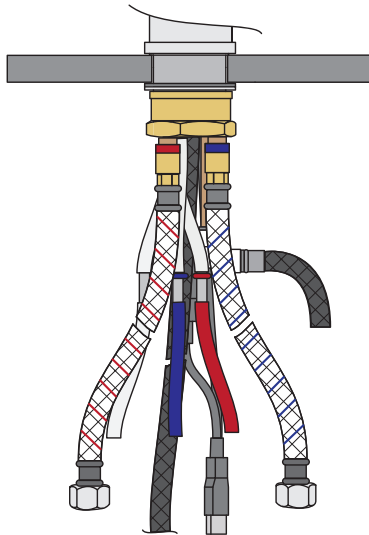
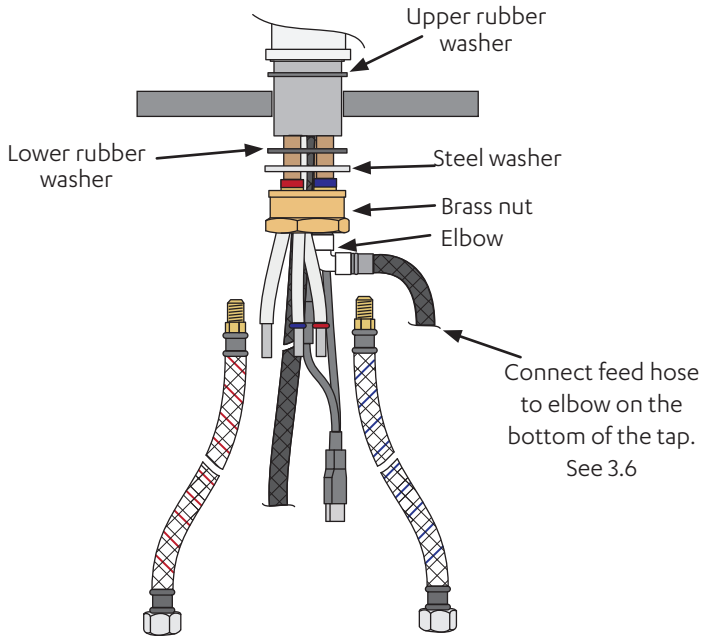


USB connections

- The tap USBs are supplied connected together.
- Connect the main tap USB to the Command Centre USB.

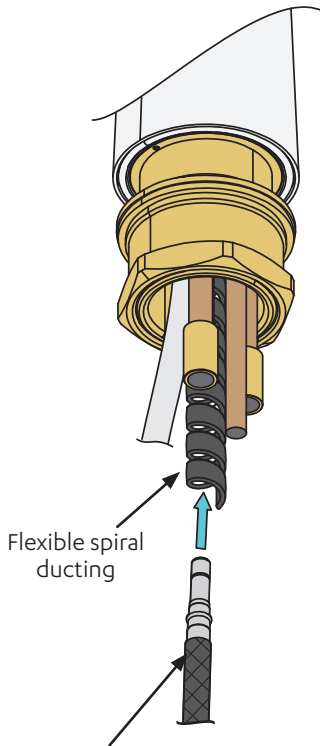


3.8 Mount and secure the tap & connect together



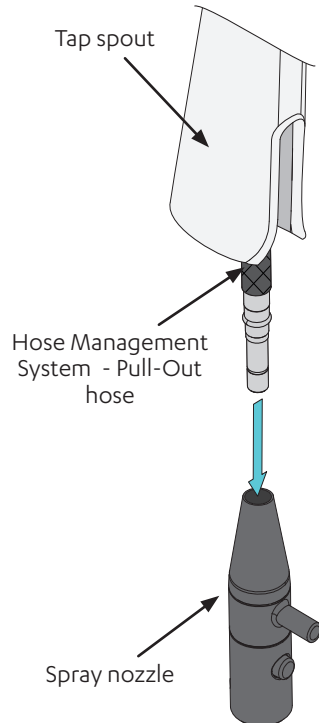
3.9 Install the Pull-Out hose

- Feed the Pull-Out hose through the black flexible spiral ducting at the base of the tap until the connector comes out of the tap spout.
- The Pull-Out hose cannot be detached from the Hose Management System.



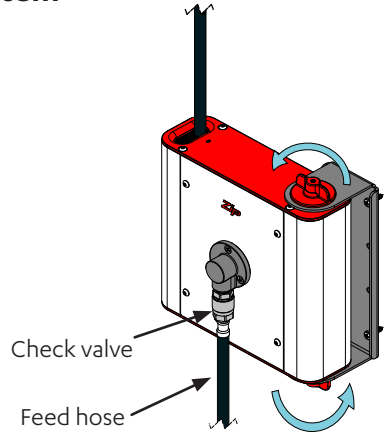
Hose Management System - Pull-Out hose

- Connect the Pull-Out hose to the spray nozzle.
- Push in firmly until it clicks into position.



3.10 Install the Hose Management System

- Fix the Hose Management System in place by tightening the top and bottom butterfly screws.
- The feed hose is supplied attached to the check valve.



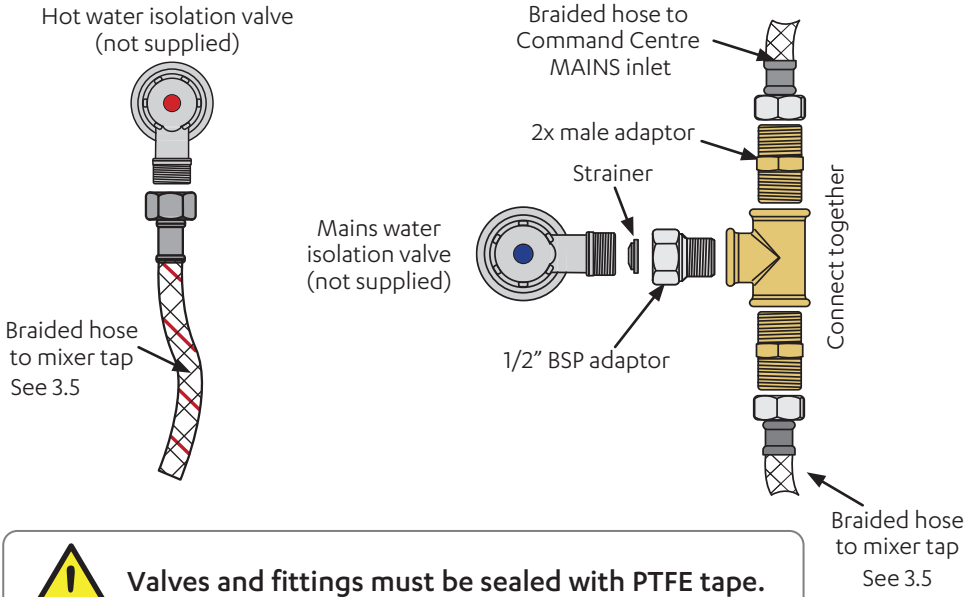
3.11 Connect the water supply

All fittings are supplied apart from the isolation valve.

Mains Water Requirements:



Minimum water pressure (static)	250kPa
Optimal water pressure (static)	350kPa
Operating water temperature	60°C
Maximum allowable water temperature	70°C



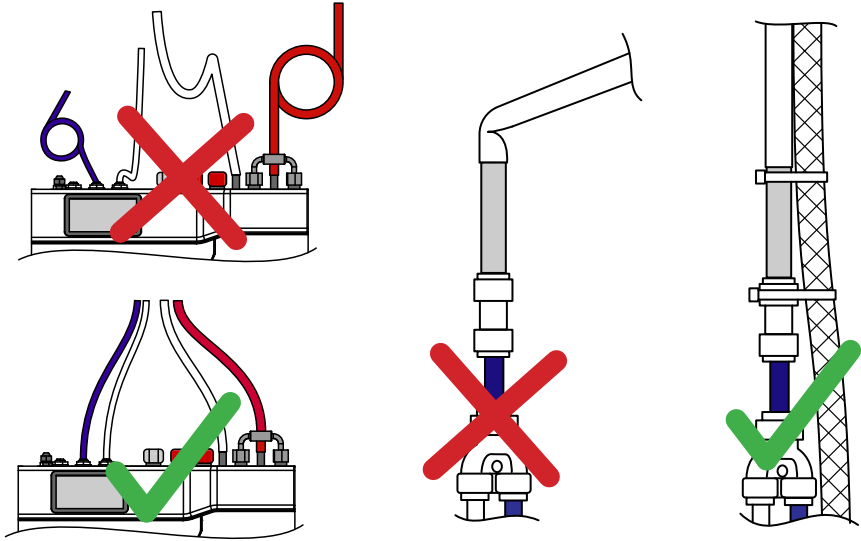
Valves and fittings must be sealed with PTFE tape.

3.12 Familiarise yourself with the Command Centre connections

Mains In	Mains potable water supply.
USB	Connected to the tap.
Boiling out	Red silicone tube from tap. Cut to length.
Chilled out	(BCS) Blue JG pipe from tap. Cut to length. (BC) Blue silicone tube from tap. Cut to length.
Vent	Clear silicone tube from tap. Cut to length.
Sparkling out	White JG pipe from tap. Cut to length.

3.13 Be careful with the sparkling pipework

- Silicone tubes are soft and easily deformed. It is essential to avoid kinks, loops and sags.
- Loosely cable-tie the rigid sparkling pipework to an adjacent braided hose to avoid kinks and squeezing.



3.14 Post installation



IMPORTANT!

After installation is complete, it is very important to check if the Pull-Out tap is set up and functioning correctly.

- Check the boiling water icon turns off when the spray hose is pulled out indicating that boiling water cannot be dispensed, see **HydroTap G5 User Guide** in Celsius Plus AIO & Pull-Out section on page 10.
- If it does not turn off, the tap has been incorrectly configured or there is a fault with the safety interlock mechanism. Contact Zip on 1800 947 827 for a service check.

SECTION 4: Cleaning and maintenance

4.1 Cleaning

- Wipe surfaces with a damp microfiber cloth and then wipe dry with a clean, dry microfiber cloth.



IMPORTANT!

- Do not use air-drying disinfectant sprays.
- These could cause permanent malfunction and void warranty.

NOTES

Refer to User Guide for operation and maintenance.



Zip Water

67 - 77 Allingham Street, Condell Park NSW 2200

Postal: Locked Bag 80, Bankstown 1885

Australia

Tel (+612) 9796 3100

Free call 1800 947 827 (1800 ZIP TAP)

www.zipwater.com



WaterMark
WMK25927
AS/NZS 3718

Zip Water UK

Trafalgar House, Rash's Green,

Dereham, Norfolk, NR19 1JG

0345 6 005 005

sales@zipindustries.co.uk

specify.zipwater.co.uk

As Zip policy is one of continuous product improvement, changes to specifications may be made without prior notice. Images in this booklet have been modified and may not be true representations of the finished goods.

The terms "Zip" and "HydroTap" are registered trade marks of Zip Heaters (Aust) Pty Ltd.