

Talis E

Single lever basin mixer 110 without waste set

Surface: **Matt Black** Article Number: **71712673**



Description

product features

- ComfortZone 110
- projection: 108 mm
- spout height: 104 mm
- maximum flow rate at 3 bar: 5 l/min
- ceramic cartridge
- temperature limitation adjustable
- suitable for continuous flow water heaters
- connection type: G 1/2 connections
- connection dimension: DN15

Technology



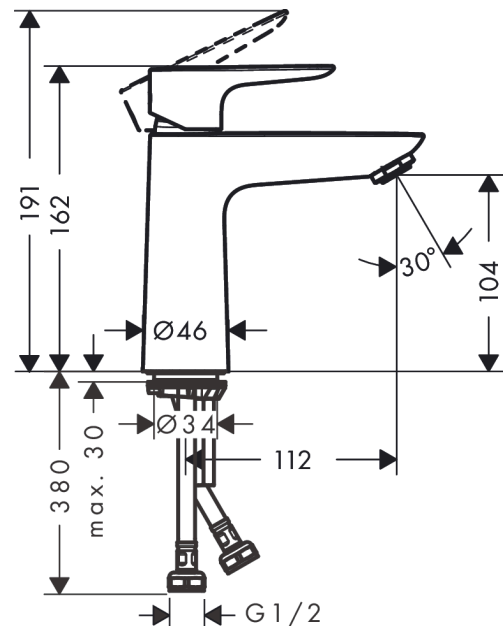
Certificates



Product image



Scale drawing



Flowchart

