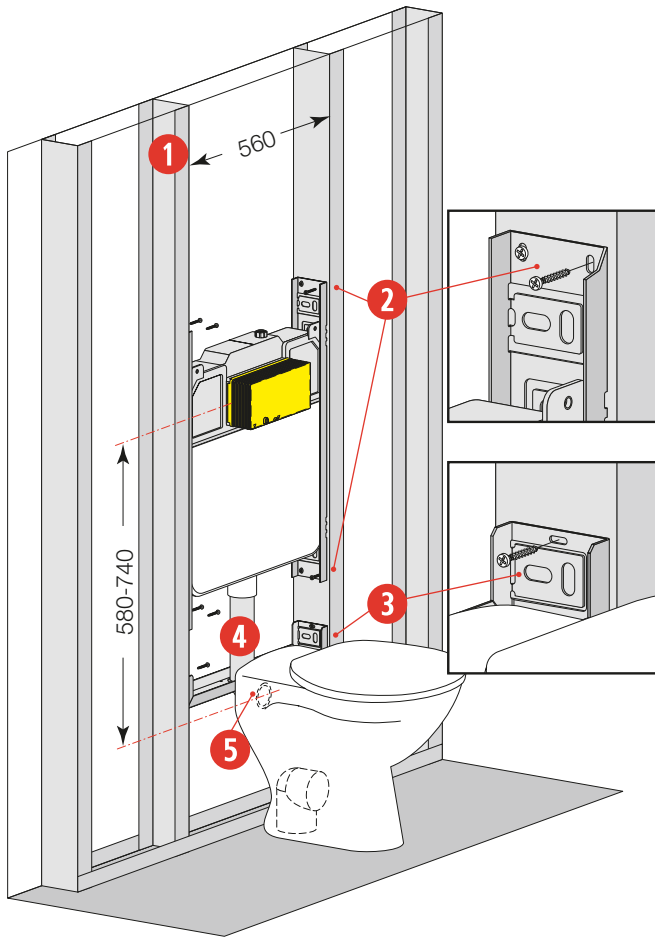


# Installation Guide for Viega Mono Slim 1f Concealed Cistern for Floor Mount Pan

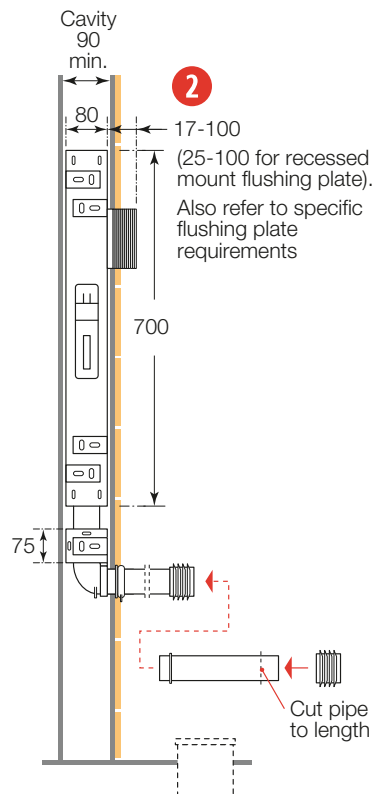
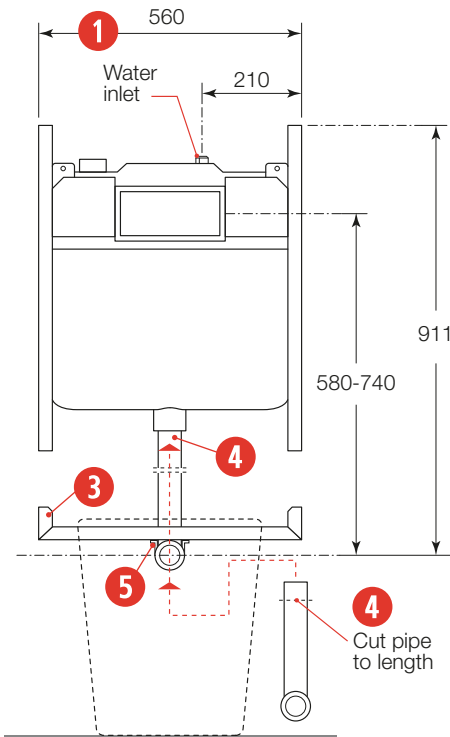
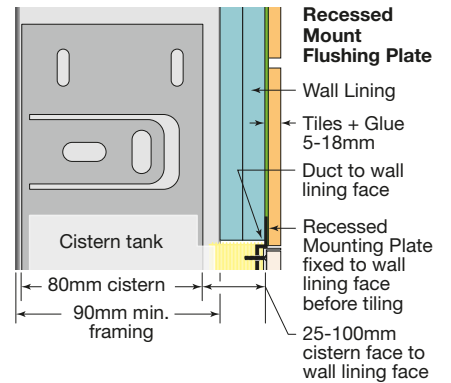
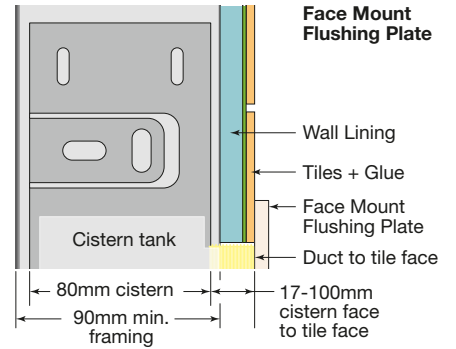
Model 8308.10 (692940)



## Cistern Installation

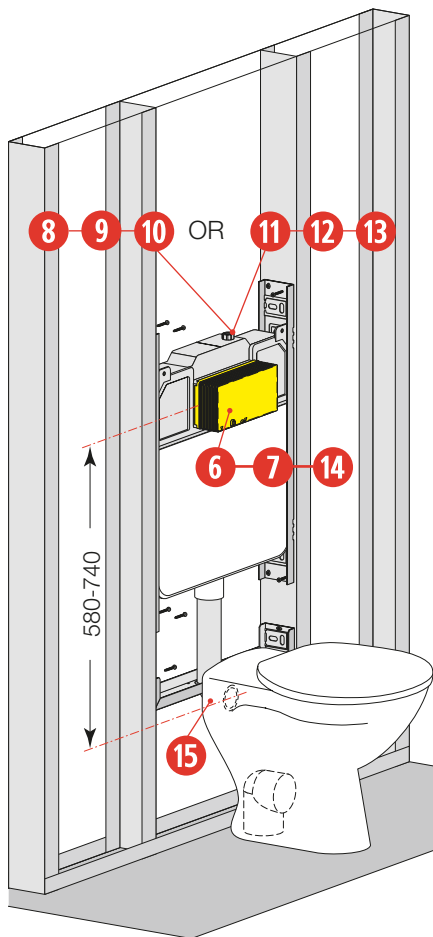
- 1 Prepare studs to accept the cistern and pipe support bracket.
- 2 Determine appropriate position for the Flushing Plate (within the available dimensions), and fix the cistern assembly to the studs.

Note: Cistern placement in relation to the face of the supporting studs, may be critical depending on whether face or recessed flushing plate mounting has been chosen, the cavity depth and the proposed wall lining thickness. Refer to the following details.



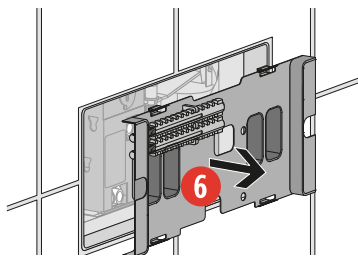
- 3 Determine appropriate position for the flushing pipe support bracket. Allow for screed and floor tiling where appropriate.
- 4 Align the flushing pipe bend at the bottom and pass the flushing pipe up through the central hole in the bracket. Push the pipe up over the O-ring seals on the cistern outlet. (Cut pipe to length if required).
- 5 Fit support clamp around the neck of the flushing pipe and fix to the underside of the support bracket.



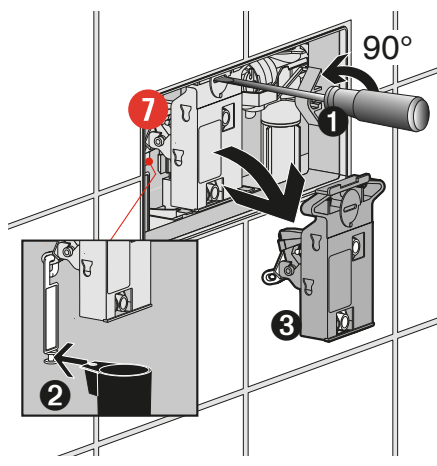


**Cistern Installation – continued**

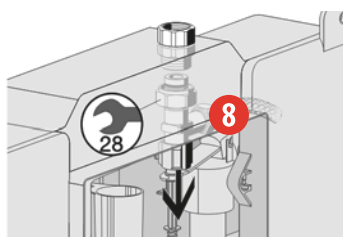
**6** To gain access to the cistern mechanisms, remove the internal guide plate. (Remove the access duct first if fitted.)



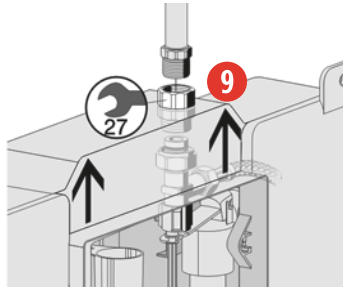
**7** **1** Unlock the actuating mechanism retainer.  
**2** Push the top of the mechanism down, lean the mechanism forward, then reach behind and unhook the pull bar from the drain valve stem.  
**3** Remove the mechanism from the cistern.



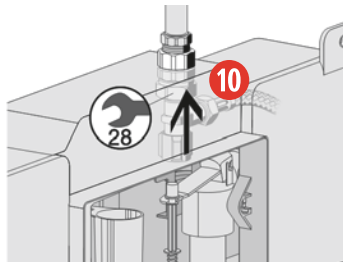
**8** To enable connection of the water inlet line, unscrew the cistern tap from the through tank fitting.



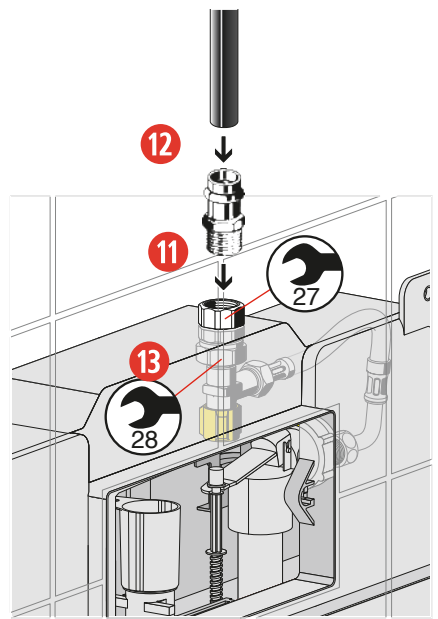
**9** Connect the inlet water line to the tank fitting (1/2" BSP female fitting).



**10** Refit the cistern tap and tighten with a spanner. Ensure cistern tap is off ready for mains pressure testing.



**11** Where the incoming fitting can be rotated, such as in a new installation with a Propress Line Adaptor N°3, insert the thread into the tank fitting and tighten with spanners.  
**12** Connect incoming water line to your chosen fitting.  
**13** Check that the inlet tap nut is tight. Turn tap to off position ready for mains pressure testing.



**14** Reinstall the actuating mechanism and internal guide plate, and fit the access duct (required for all installations).  
**15** Fit flushing pipe dust cover.

**Pan Installation**

Proceed with the pan connection after wall and floor tiling is completed.

**16** Determine the required length for the horizontal flushing pipe. Cut the plain end to length if required. Assemble the pan seal onto the plain end of the horizontal pipe. Install the horizontal flushing pipe into the seal of the vertical flushing pipe. Insert the pan seal into the back of the pan and position the pan for fixing.

**Mains Power Electrical Installation**

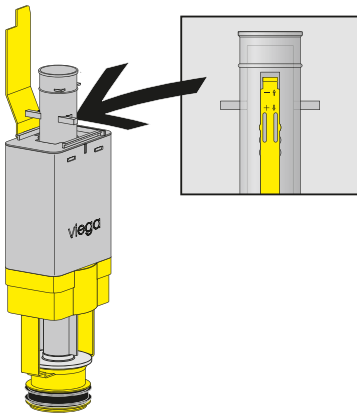
Where mains power connection is required, this must be installed by a licensed electrician prior to wall lining/tiling. Refer to separate document VGA1230AU.

## Flushing Volume Adjustment

Flush volume settings are factory set and should not need adjustment.

To carry out adjustment of the flushing volumes, remove the flushing valve from the cistern. Follow the instructions for removing the flushing valve, refer to Viega document VGA1188AU Servicing Guide for Viega 1F Concealed Cistern.

- 1 The factory settings for the small flush is 3.0 l. The volume may be adjusted between 2.5 l and 3.0 l by moving the slider on the side of the overflow pipe. The upper position is 2.5 l. The lower position is 3.0 l. The positions can be identified by the notches.



- 2 The factory settings for the large flush is 4.5 l. The volume is infinitely adjustable between 4.5 l and 6.0 l by moving the slider under the flushing valve housing. The left position as shown in the diagram is 4.5 l. The right position as shown in the diagram is 6.0 l.

