

HOME DATA SHEET

B3000 Square Slimline

Billi™

Billi B3000 with Square Slimline Dispenser

Refreshing chilled filtered water conveniently at your fingertips. With a large chilling capacity and a never-ending supply of filtered water once the chilled tank has been depleted, the B3000 is ideal for typical family use, glass after glass.

The stylish square slimline dispenser is available in a range of finishes that are sure to be compatible to any kitchen decor.

Supplied standard with 994052 sub-micron filtration from BWT to deliver the freshest tasting water and ensure the health of your family & guests.



CHILLED

Round Slimline Dispenser

B3000 Under-Bench Unit



Features



SPACE SAVING DESIGN



ENERGY EFFICIENT



NO CUPBOARD VENTILATION REQUIRED



UNLIMITED FILTERED WATER



ADJUSTABLE CHILLED TEMPERATURE



WATER COOLED TECHNOLOGY



RANGE OF FINISHES



EASY INSTALLATION




AUSTRALIAN DESIGNED & MADE



HACCP CERTIFIED

PRODUCT SPECIFICATIONS

| Water type | Product code | Model name | Dispenser | Power supply (amps) | Suggested Usage |
|--|--------------|------------|-----------------|---------------------|--|
|  CHILLED | 913000S | B3000 | Square Slimline | 10 | <ul style="list-style-type: none"> • Drinking water filtration • Instant Chilled beverages • Cooking & Food preparation |

Accessories

992130 - Square Slimline Spout Extension*



992810 - Slimline Font



990724 - Tubing Extension Kit for Slimline 2mtrs

*available in chrome, brushed and matte black only

Finishes

Standard Finishes

| | |
|------------------|------------------|
| CH - Chrome | BR - Brushed |
| MB - Matte Black | MW - Matte White |

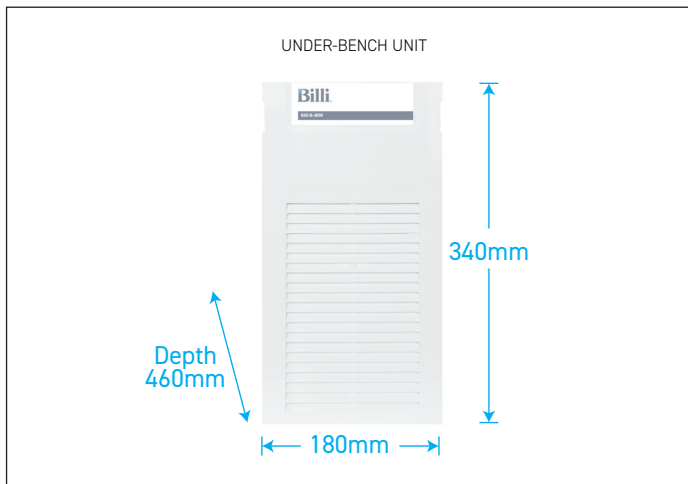
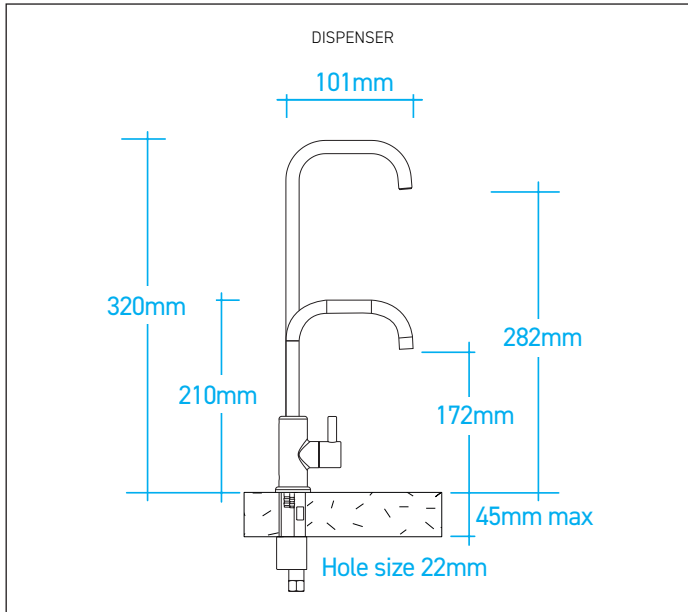
Special Order Finishes

| | | |
|----------------|-------------------------|---------------------|
| RG - Rose Gold | BRG - Brushed Rose Gold | GM - Gun Metal Grey |
| PL - Platinum | UB - Urban Brass | |

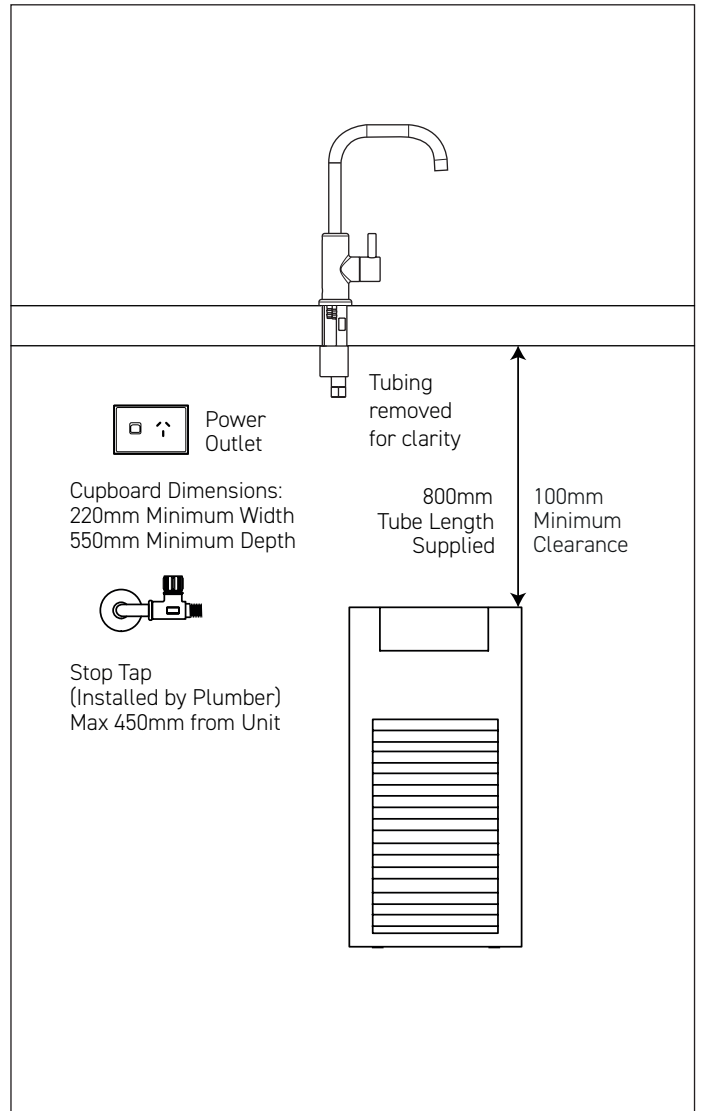
Add the Finish code to the Product Code to finalise your specification, eg. 913000SMB

TECHNICAL DRAWING & INSTALLATION REQUIREMENTS

PRODUCT DIMENSIONS



PREFERRED INSTALLATION LAYOUT



WATER SUPPLY

A single 1/2" BSP (15mm) stop-tap with a male thread should be installed in an easily accessible position. Water supply must be microbiologically safe to drink, with a minimum dynamic water pressure of 250kPa and a maximum of 1000kPa.

POWER SUPPLY

A standard 10 amp power outlet is required, no further than 1000mm from the underbench unit. The system is supplied with a 1 metre flex cord and plug.

FILTRATION

Billi's range of premium filters utilise BWT's unique Fibron X technology. Billi's filter range provides superior taste, water quality, consistent filter life and peace of mind when it comes to hygiene.

Filter supplied: 994052 (0.2 micron). Replacement filters available: 994051 (5 micron option), 994054 (HSD option), 994055 (XPHSD Fibron XP), 994056 (Sediment only) and 994060 (Micron HF Sediment Only).

CERTIFICATIONS

Every Billi drinking water appliance is manufactured under a certified quality control system. All Billi home range models have been tested and comply with all required standards including: Watermark: WM-021882; HACCP: PE-872-WAT-1-02; ISO 9001:2015, QEC 11627; Tested to ATS5200.105 and AS/NZ 4020; Section J6.6 of the BCA; WELL Cornerstone Member.

WARRANTY

The Billi B3000 Range is covered by a comprehensive 2 year warranty on all parts and labour.

Billi™

Billi Australia Pty Ltd
42 Lucknow Crescent,
Thomastown, Victoria
3074 Australia

P 1800 812 321
F +61 3 9469 0499
W www.billi.com.au

visit us at



Designed and manufactured in Australia to the highest quality standards