

HOME DATA SHEET

B1000 Round Slimline

Billi™

Billi B1000 with Round Slimline Dispenser

Instant filtered water on tap. The B1000 offers the convenience of filtered still drinking water along with elegant functional design. The B1000 is ideal for cooking & food preparation and drinking water filtration.

Supplied standard with 994052 sub-micron filtration from BWT to deliver the freshest tasting water and ensure the health of your family & guests.



Round Slimline Dispenser

Underbench Filter Housing

Features



UNLIMITED
FILTERED
WATER



SPACE SAVING
DESIGN



RANGE OF
FINISHES





AUSTRALIAN
DESIGNED &
MADE



EASY
INSTALLATION

PRODUCT SPECIFICATIONS

Water type	Product code	Model name	Dispenser	Suggested usage
  STILL FILTERED	911000R	B1000	Round Slimline	<ul style="list-style-type: none"> • Drinking water filtration • Cooking & Food preparation

Accessories

992810 - Slimline Font

990724 - Tubing Extension Kit for Slimline 2mtrs



Finishes

Standard Finishes

CH - Chrome

BR - Brushed

MB - Matte Black

MW - Matte White

Special Order Finishes

RG - Rose Gold

BRG - Brushed Rose Gold

GM - Gun Metal Grey

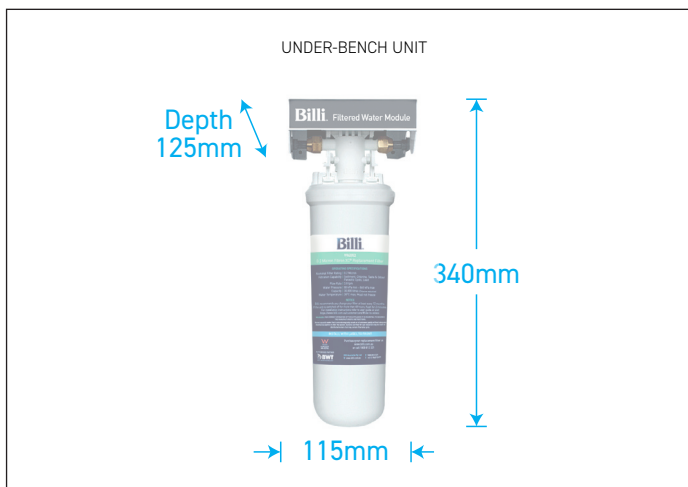
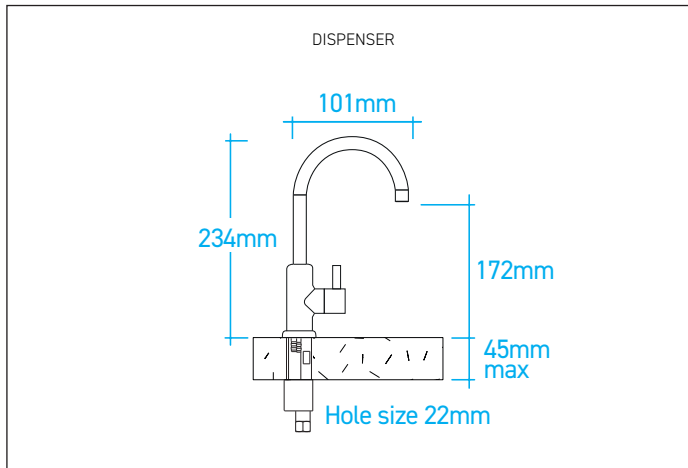
PL - Platinum

UB - Urban Brass

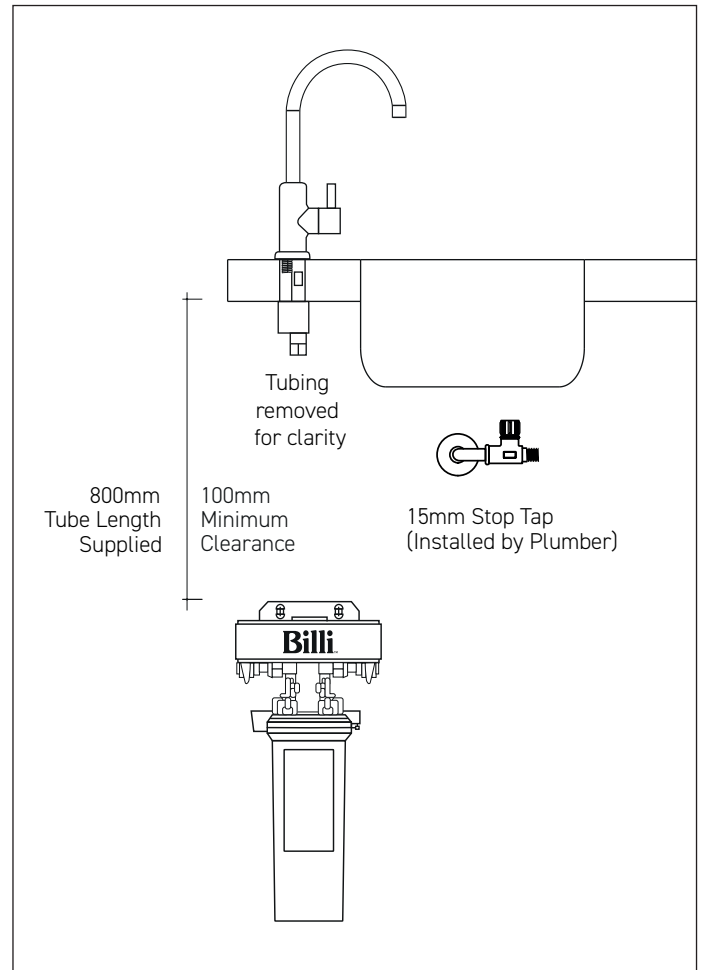
Add the Finish code to the Product Code to finalise your specification, eg. 911000RMB

TECHNICAL DRAWING & INSTALLATION REQUIREMENTS

PRODUCT DIMENSIONS



PREFERRED INSTALLATION LAYOUT



WATER SUPPLY

A single 1/2" BSP (15mm) stop-tap with a male thread should be installed in an easily accessible position. Water supply must be microbiologically safe to drink, with a minimum dynamic water pressure of 250kPa and a maximum of 1000kPa.

FILTRATION

Billi's range of premium filters utilise BWT's unique Fibron X technology. Billi's filter range provides superior taste, water quality, consistent filter life and peace of mind when it comes to hygiene.

Filter supplied: 994052 (0.2 micron). Replacement filters available: 994051 (5 micron option), 994054 (HSD option), 994055 (XPHSD Fibron XP), 994056 (Sediment only) and 994060 (Micron HF Sediment Only).

CERTIFICATIONS

Every Billi drinking water appliance is manufactured under a certified quality control system. All Billi commercial range models have been tested and comply with all required standards including: Watermark: WM-021882; Certified to AS/NZ3498 and AS/NZ 4020; ISO9001:2015, QEC 11627; WELL Cornerstone Member.

WARRANTY

The Billi B1000 Range is covered by a comprehensive 2 year warranty on all parts and labour.

Billi™

Billi Australia Pty Ltd
42 Lucknow Crescent,
Thomastown, Victoria
3074 Australia

P 1800 812 321
F +61 3 9469 0499
W www.billi.com.au

visit us at



Designed and manufactured in Australia to the highest quality standards