

CAROMA OPAL - BATH/SHOWER MIXER

PLUMBERS INSTALLATION INSTRUCTIONS

Important Information

- * **Brazed connections should NOT be made directly onto the mixer, as excessive heat will cause permanent damage.**
- * **Final install must be checked at rough-in stage (step 1).**
- * **All pipework must be thoroughly flushed prior to installation**
- * **Tile adhesive/grout etc. must not interfere with the removal of the protective sleeve and installation of the trim components.**

Installation (Fig. 1 & 2)

- 1) Fit mixer body (12) onto a suitable mounting plate or noggin in the wall and secure using screws (not supplied) through the holes in its base. When facing the mixer, the connections should be as follows :
Hot water inlet connection 'H' to the left.
Cold water inlet connection 'C' to the right.
Mixed water outlet connection, vertically upwards.
- * Check all connections for leaks and the tap for correct operation.

Important :

- * Mixer body (12) must be installed square to wall/tile face, to ensure cover plate (7) sits flush. Sealant/waterproofing materials must remain clear of the protective sleeve and the surface it protects to allow for removal of the sleeve and installation of the trim components.
- 2) Remove protective cap from mixer body (12). Ensure the external surface of the mixer body (12) is clean, apply lubricant on the 'O'-ring, then slide sleeve (9) (with WaterMark marking underneath) over mixer body (12) up to the shoulder as shown. Screw cap (8) onto the thread of nut (10) and hand tighten to secure the sleeve (9).
 - 3) Apply a suitable clear sealant to the back edge of the cover plate (7), leaving an unsealed section at the bottom for drainage. Carefully slide the cover plate (7) (fitted with 'O'-ring) over the mixer body sleeve (9) with the 'CAROMA' logo aligned at the bottom. Push the cover plate (7) firmly against the wall/tile face. Wipe/clean excess sealant from the trim surfaces & the wall/tile face (See Fig. 1).
 - 4) Fit adaptor (6) to cartridge stem and secure with screw (5). Fit handle (1) taking care that it is pushed fully onto adaptor (6), then tighten grub screw (4) using the 2.5mm allen key (3). Fit plug (2) together with O'Ring, taking care not to damage the decorative finish.

Replacing Cartridge (Fig. 2)

- 1) Turn off hot and cold water supplies.
- 2) Carefully remove plug (2) before using a 2.5mm allen key (3) to loosen grub screw (4) and remove handle (1). Remove screw (5) and slide adaptor (6) from cartridge stem. Remove cap (8) taking care not to damage the decorative finish. Unscrew nut (10) then lift out old cartridge (11).
- 3) Ensure inside face of mixer body (12) is clean. Check that seal is in position in base of new cartridge (11). Fit new cartridge (11) into mixer body (12), taking care that two lugs on base of cartridge (11) fit into mating holes in mixer body(12).
- 4) Screw on nut (10). **Important:-** Nut (10) should be tightened to a torque of 10 Nm. Screw cap (8) onto the thread of nut (10) and hand tighten to secure the sleeve (9).
- 5) Push adaptor (6) onto cartridge stem and secure with screw (5). Fit handle (1) taking care that it is pushed fully onto adaptor (6), then tighten grub screw (4). Fit plug (2) together with 'O'-ring, taking care not to damage the decorative finish.
- 6) Turn on water supplies and check operation.

IMPORTANT	
<u>Pressure & Temperature Requirements.</u>	
•	Hot and cold water inlet pressures should be equal.
•	Static inlet pressure range : 150 -1000 kPa New Regulation :-500 kPa maximum static pressure at any outlet within a building. (Ref. AS/NZS 3500.1)
•	Maximum hot water temperature : 80°C.
<u>Installation Requirements.</u>	
•	The installing plumber is responsible for waterproofing all penetrations for Taps in Shower areas at installation by a proprietary flange system or a sealant.(Ref AS3740)

Important: Tile adhesive/grout etc. must not contact this surface.

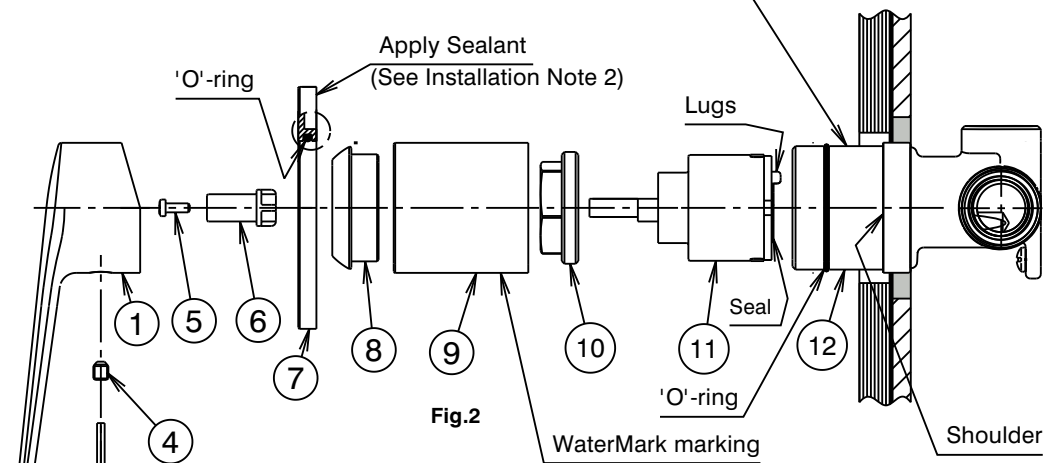


Fig.2

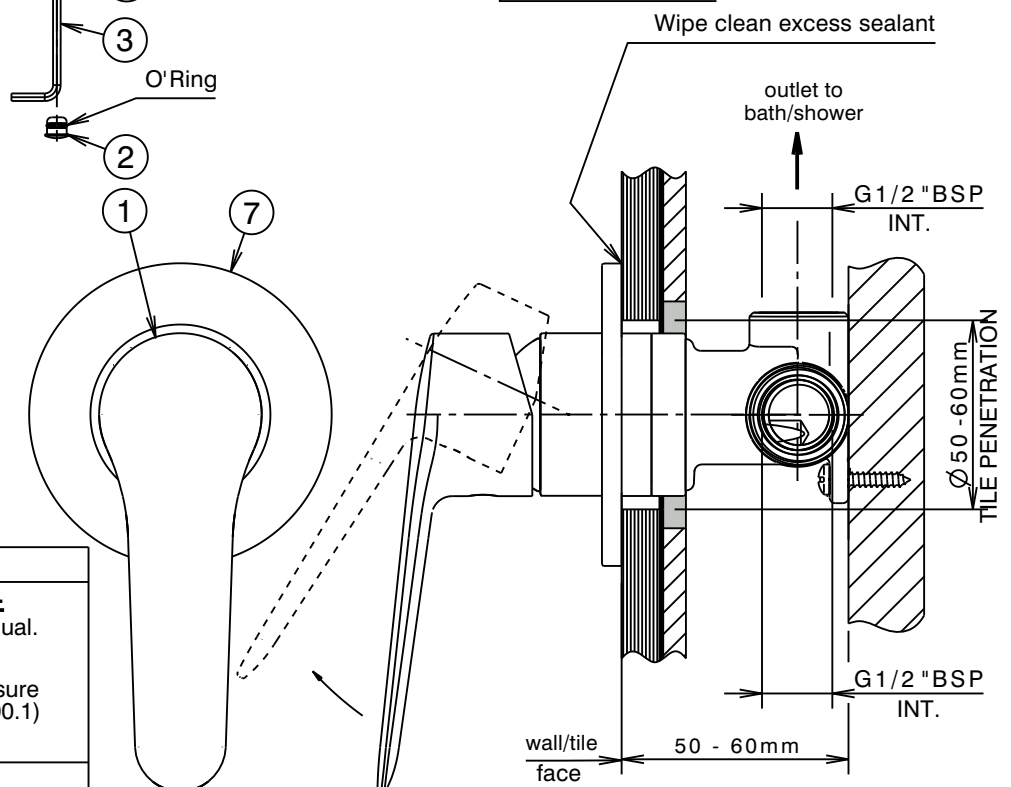


Fig. 1