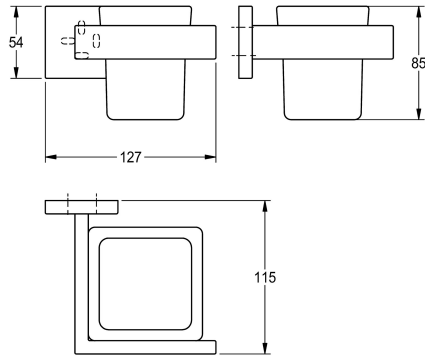


KWC CUBUS Tumbler holder

Modell-Linie: CUBUS | CUBX006HP
Accessoires Hotel & Residential | Tumbler & soap holder



KWC-No.

2000106355

Surface high polished Dimensions 127 x 85 x 115 mm (W x H x D)

Tumbler holder for wall mounting, 304 stainless steel, square glass cup, square cup with drilled holes on bottom for fixation, includes stainless steel screws and dowels.

Surface high polished
Dimensions 127 x 85 x 115 mm (W x H x D)