

POWER™



OWNER'S MANUAL AND OPERATING INSTRUCTIONS

PRESSURE WASHER

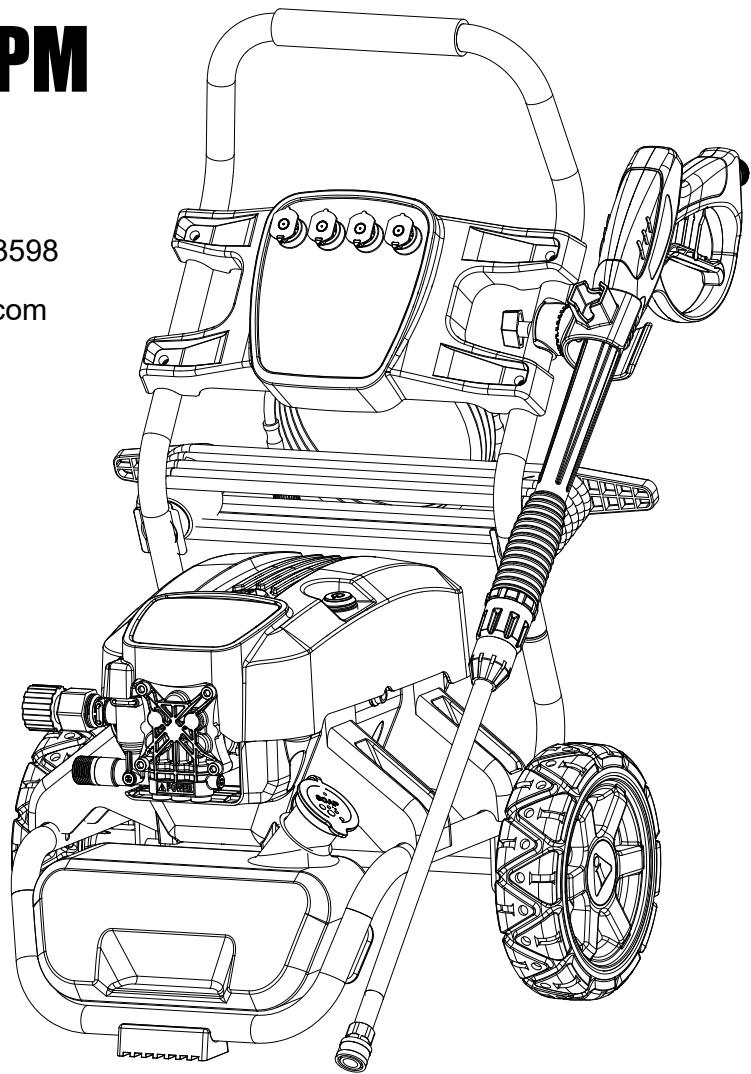
2000 PSI, 1.2 GPM

Model: PWE2000

CUSTOMER SERVICE: 1-855-888-3598

Visit Our Website at: www.a-ipower.com

Email Our Technical Support at:
support@a-ipower.com



A-iPower Corp.
Fontana, CA 92337 USA
www.a-ipower.com



WARNING: SAVE THIS MANUAL FOR FUTURE REFERENCE



This manual contains important information regarding safety. Operation, maintenance and storage of this product. Before use, read carefully and understand all cautions, warnings, instructions and product labels. Failure to do so could result in serious personal injury and/or property damage.

TABLE OF CONTENTS

PRODUCT SPECIFICATIONS	1
SAFETY	
Safety Symbols And Meanings	2
Safety Instructions and Precautions	3
SET UP	
Know Your Pressure Washer	9
Assembly	10
General Information	11
OPERATION	
Pre Start Checks	13
MAINTENANCE	
Cleaning Pressure Washer	17
Trouble Shooting	18
PARTS LIST AND DIAGRAM	
General Assembly Diagram	20
General Parts List	20
WARRANTY	
AiPower Warranty	21

PRODUCT SPECIFICATIONS

1

Model	PWE2000
Motor	Universal, 120V - 60Hz, 14.5 Amps
MAX Pressure	2000 PSI
MAX Flow	1.2 GPM
Hose	1/4 x 25' M22
Wand	21" x 1/4 Q/C
Nozzle Selection	Q/C 0°, 25°, 40°, Soap
Gross / Net Weight	28.7 lbs. (13 kg) / 24.3 lbs. (11 kg)

NOTICE: We are always working to improve our products. Therefore, final product may vary from images shown. A-iPower reserves the right to change features, specifications without notice for future improvements to products.

This Operating Manual has been designed to instruct you on the correct operation of your A-I POWER product. Your satisfaction with this product and its safe operation is our ultimate concern. Therefore, please take the time to read the entire manual, especially the safety symbols and instructions. They will help you to avoid potential hazards that may exist when working with this product. Every effort has been made to ensure that information in this manual is accurate and current. However, we reserve the right to change, alter, or otherwise improve the product and this document at any time without prior notice.

Safety Symbols and Warnings:

⚠ DANGER: indicates a hazard which, if not avoided, will result in death or serious injury.









⚠ WARNING: indicates a hazard which, if not avoided, could result in death or serious injury.









⚠ CAUTION: indicates a hazard which, if not avoided, could result in minor or moderate injury.

NOTICE: Indicates information, or addresses practices that are important, but not related to personal injury.


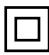
Safety symbols and their meanings:

The following symbols will appear in this manual and on the product. For safe use of this product, be sure to study them and know their meanings.

	Safety Alert
	Read Operators Manual
	Electrical Shock
	Eye Protection
	Hot Surface
	Fluid Injection
	Kickback
	Moving Parts

	Wet Conditions Alert
	Explosion
	Projectile
	Chemical Burns
	Electrical Hazard
	Slippery Surface
	Fall
	Fire

The following symbols may appear on the product. For safe use of this product, be sure to study them and know their meanings.

V	VOLTS	Voltage
A	AMPS	Current
Hz	HERTZ	Frequency (cycles per second)
W	WATTS	Power
	ALTERNATING	Type of current
n_0	NO LOAD SPEED	Rotational speed, at no load
	CLASS II	Double insulated construction
.../ min	PER MINUTE	Revolutions per minute

Important Safety Instructions and Precautions:

WARNING: READ AND UNDERSTAND ALL SAFETY INSTRUCTIONS

- Keep the work area clear of all persons, particularly small children, and pets.
- Avoid dangerous environments. Keep work area well lit. Don't expose product to rain while in use, or while stored.
- Do not use product if switch does not turn unit off. Have switch replaced by an authorized service center.
- Keep guards in place and in working order. Never operate this product with any guard or cover removed. Make sure all guards and covers are intact and operating properly before each use.
- Keep product dry, clean, and free from oil and grease. Always use a clean cloth when cleaning. Never use brake fluid, gasoline, petroleum-based products, or any solvents to clean product.
- Use caution when positioning the pressure washer for use. Warm air from the motor could cause discolored areas on grass.
- Make sure minimum clearance of 3 feet is maintained from any combustible materials.
- Never pick up or carry a machine while the motor is running.
- Never start the machine if ice has formed in any part of the equipment.
- To reduce the risk of injury, keep all children and visitors away from product when in use. All visitors should wear safety glasses and be kept a safe distance from work area.
- Use product for its intended use. Don't force product or attachment to do a job it was not designed for. Do not use it for a purpose not intended. Use only recommended accessories with this product. The use of improper and or modified accessories may cause risk of injury.
- Never spray too close to the surface to be cleaned, as you can damage the surface. If there is a concern, try cleaning an inconspicuous area first.


FOR TECHNICAL QUESTIONS, PLEASE CALL 1-855-888-3598

- After stopping the motor, always pull the trigger on the trigger handle to relieve stored pressure in the high pressure hose. Failure to do so could result in serious personal injury.
- Do not overreach or stand on a ladder, rooftop, or other unstable support structure. Keep proper footing and balance at all times.
- Stay alert and exercise control. Watch what you are doing at all times and use common sense. Do not operate tool when you are tired. Do not rush.
- Do not operate the product while under the influence of drugs, alcohol, or any medication.
- Do not abuse the cord. Never use the cord to carry the product or to disconnect the plug from an outlet. Keep cord away from heat, oil, sharp edges, or moving parts. Replace damaged cords immediately. Damaged cords increase the risk of electric shock.
- Ground Fault Circuit Interrupter (GFCI) protection should be provided on the circuit(s) or outlet(s) to be used for the product. Receptacles are available having built-in GFCI protection and may be used for this measure of safety.
- To reduce the risk of electric shock, this product has a polarized plug (one blade is wider than the other) and will require the use of a polarized extension cord. The plug will fit into a polarized extension cord only one way. If the plug does not fit fully into the extension cord, reverse the plug. If the plug still does not fit, obtain a correct polarized extension cord. A polarized extension cord will require the use of a polarized wall outlet. This plug will fit into the polarized wall outlet only one way. If the plug does not fit fully into the wall outlet, reverse the plug. If the plug still does not fit, contact a qualified electrician to install the proper wall outlet. Do not change the equipment plug, extension cord receptacle, or extension cord plug in any way.
- **WARNING:** Use outdoor extension cords marked SW-A, SOW-A, STW-A, STOW-A, SJW-A, SJTW-A, or SJTOWA. These cords are rated for outdoor use and reduce the risk of electric shock. Before every use, inspect cord for loose or exposed wires and cut or worn insulation.
- Make sure your extension cord is in good condition. When using an extension cord, be sure to use one heavy enough to carry the current your product will draw. A wire gauge size (A.W.G.) of at least 14 is recommended for an extension cord 25 feet or less in length. If in doubt, use the next heavier gauge. The smaller the gauge number, the heavier the cord. An undersized cord will cause a drop in line voltage resulting in loss of power and overheating.
- Inspect extension cords periodically and replace if damaged.
- Do not use acids, alkalines, solvents, flammable material, bleaches, or industrial grade solutions in this product. These products can cause physical injuries to the operator and irreversible damage to the machine.
- Before storing, allow the motor to cool.
- When servicing use only identical replacement parts. Use of any other parts may create a hazard or cause product damage.
- Before starting any cleaning operation, close doors and windows. Clear the area to be cleaned of debris, toys, outdoor furniture, or other objects that could create a hazard.
- Use only cold water with this product.
- Save these instructions. Refer to them frequently and use them to instruct other users. If you loan someone this product, loan them these instructions also.
- For outdoor use only.


Important Safety Instructions and Precautions specifically for electricity and electrical components in this product:

DOUBLE INSULATION

Double insulation is a safety system within electric power tools, which eliminates the need for the usual three-wire grounded power cord. All exposed metal parts are isolated from the internal motor components with protecting insulation. Double insulated products do not need to be grounded.



WARNING: Electrical Shock



The double insulated system is intended to protect the user from shock resulting from a break in the product's internal insulation. Observe all normal safety precautions to avoid electrical shock.

NOTE: Servicing of a product with double insulation requires extreme care and knowledge of the system and should be performed only by a qualified service technician. For service, we suggest you return the product to your nearest authorized service center for repair. Only use original factory replacement parts when servicing.

ELECTRICAL CONNECTION

This product has a precision-built electric motor. It should be connected to a power supply that is nominal 120V/60Hz AC (typical U.S. household circuit).

Do not operate this product on direct current (DC). A substantial voltage drop will cause a loss of power and the motor will overheat. If the product does not operate when plugged into an outlet, double-check the power supply.

EXTENSION CORDS

When using a power tool at a considerable distance from a power source, be sure to use an extension cord that has the capacity to handle the current the product will draw. An undersized cord will cause a drop in line voltage, possibly resulting in overheating, loss of power, and/or circuit breaker or GFCI tripping. Use the chart to determine the minimum wire size required in an extension cord. Only round jacketed cords listed by Underwriter's Laboratories (UL) should be used.

When working outdoors with a product, Use outdoor extension cords marked SW-A, SOW-A, STW-A, STOW-A, SJW-A, SJTW-A, or SJTOWA. These cords are rated for outdoor use and reduce the risk of electric shock. Inspect cord for loose or exposed wires and cut or worn insulation.

It is possible to tie the extension cord and power cord in a knot to prevent them from becoming disconnected during use. Make a knot, then connect the plug end of the power cord into the receptacle end of the extension cord. This method can also be used to tie two extension cords together.

RECOMMENDED EXTENSION CORD FOR USE WITH THIS PRODUCT:

Cord Length	Wire Size (A.W.G.)
25 ft.	14
50 ft	12
100 ft.	Not Recommended

GROUND FAULT CIRCUIT INTERRUPTER (GFCI)

This unit is equipped with a Ground Fault Circuit Interrupter (GFCI), which guards against the hazards of ground fault currents. An example of ground fault current is the current that would flow through a person who is using an appliance with faulty insulation and, at the same time, is in contact with an electrical ground such as a plumbing fixture, wet floor, or earth. GFCI plugs do not protect against short circuits, overloads, or shocks.

NOTE: To ensure readiness for use, press the reset button each time you connect the pressure washer to the power supply.

The GFCI plug can be tested with the TEST and RESET buttons.

To test:

- Press the TEST button. You will hear a “click” sound and the red LED light will go out.
- To restore power, press the RESET button. The LED light will illuminate to indicate power has been restored.

Perform this test monthly to ensure proper operation of the GFCI.

WARNING: Electrical Shock



Keep the extension cord clear of the working area. Position the cord so that it will not get caught on lumber, tools, or other obstructions while you are working with a power tool. Failure to do so can result in serious personal injury.

WARNING: Electrical Shock



Check extension cords before each use. If damaged replace immediately. Never use the product with a damaged cord since touching the damaged area could cause electrical shock resulting in serious injury.

Additional Safety Instructions and Precautions:

WARNING: Electrical Shock



Contact with power source could cause electric shock or burn resulting in death or serious injury.

- Never spray at or near an electric power source, including the product itself.

WARNING: Chemical Burn



Chemicals could cause burns resulting in death or serious injury.

- DO NOT use caustic liquid with pressure washer.
- Use ONLY pressure washer safe detergents/soaps. Follow all manufacturer's instructions.

NOTICE: For additional information regarding the parts listed in the following pages, refer to:

- PARTS LIST AND DIAGRAM on Page 20.


NOTICE: High pressure spray could damage fragile items including glass.

- DO NOT point spray gun at glass when using red (0°) nozzle.
- NEVER aim spray gun at plants.

NOTICE: Improper treatment of pressure washer could damage it and shorten its life. If you have questions about intended use, contact our service center at 1-855-888-3598.


- NEVER operate units with broken or missing parts, or without protective housing or covers.
- DO NOT by-pass any safety device on this machine.
- DO NOT operate pressure washer above rated pressure.
- DO NOT modify pressure washer in any way.
- Before starting pressure washer in cold weather, check all parts of the equipment to be sure ice has not formed there.
- NEVER move machine by pulling on hoses. Use handle provided on unit.
- This equipment is designed to be used with A-iPower authorized parts ONLY. If equipment is used with parts that DO NOT comply with minimum specifications, user assumes all risks and liabilities.

 **WARNING:** Moving parts hazard

 Motor and other rotating parts could entangle hands, hair, clothing or accessories, resulting in serious injury.

- NEVER operate pressure washer without protective housing or covers.
- DO NOT wear loose clothing, jewelry or anything that could be caught in the motor or other rotating parts.
- Tie up long hair and remove jewelry.

 **WARNING:** Kickback Hazard

 Firmly grasp spray gun with both hands when using high pressure spray to avoid injury when spray gun kicks back.

 **WARNING:** California Proposition 65

This product, and other substances that may become airborne from its use contains chemicals, including lead, known to the State of California to cause cancer, birth defects, or other reproductive harm. Wash your hands after handling product.

 **WARNING:** Fluid Injection


The high-pressure water that this equipment produces could cut through skin and its underlying tissues, resulting in serious injury and possible amputation.

- Spray gun traps high water pressure, even when motor is stopped and water is disconnected, which could result in serious injury.
- If cut by fluid, call physician immediately. **DO NOT** treat as a simple cut.
- **DO NOT** allow CHILDREN to operate pressure washer.
- **NEVER** repair high pressure hose. Replace it.
- **NEVER** repair leaking connections with sealant of any kind. Replace o-ring or seal.
- **NEVER** connect high pressure hose to nozzle extension.
- Keep high pressure hose connected to pump and spray gun while system is pressurized.
- **ALWAYS** point spray gun in safe direction, disengage trigger lock and squeeze spray gun trigger to release high pressure, after each use.
- **NEVER** aim spray gun at people, animals, or plants.
- **DO NOT** secure spray gun in open position.
- **DO NOT** leave spray gun unattended while machine is running.
- **NEVER** use a spray gun which does not have a trigger lock or trigger guard in place and in working order.
- Always be certain spray gun, nozzles and accessories are correctly attached.

 **WARNING:** Projectile hazard

Risk of eye or bodily injury. Spray could splash back or propel objects resulting in serious injury.

- Always wear safety goggles marked to comply with ANSI Z87.1 when using or in vicinity of this equipment.
- Always wear protective clothing such as a long-sleeved shirt, long pants and close-toed shoes.
- **NEVER** operate pressure washer when barefoot or wearing sandals.

 **WARNING:** Slip or Fall Hazard

Use of pressure washer could create slippery surfaces causing you to fall resulting in death or serious injury.

- Kickback from spray gun could cause you to fall resulting in death or serious injury.
- Operate pressure washer from a stable surface.
- The cleaning area should have adequate slopes and drainage to reduce the possibility of a fall due to slippery surfaces.
- Be extremely careful if you must use the pressure washer from a ladder, scaffolding, or any other similar location.
- Firmly grasp spray gun with both hands when using high pressure spray to avoid injury when spray gun kicks back.

⚠ CAUTION: Read Manual

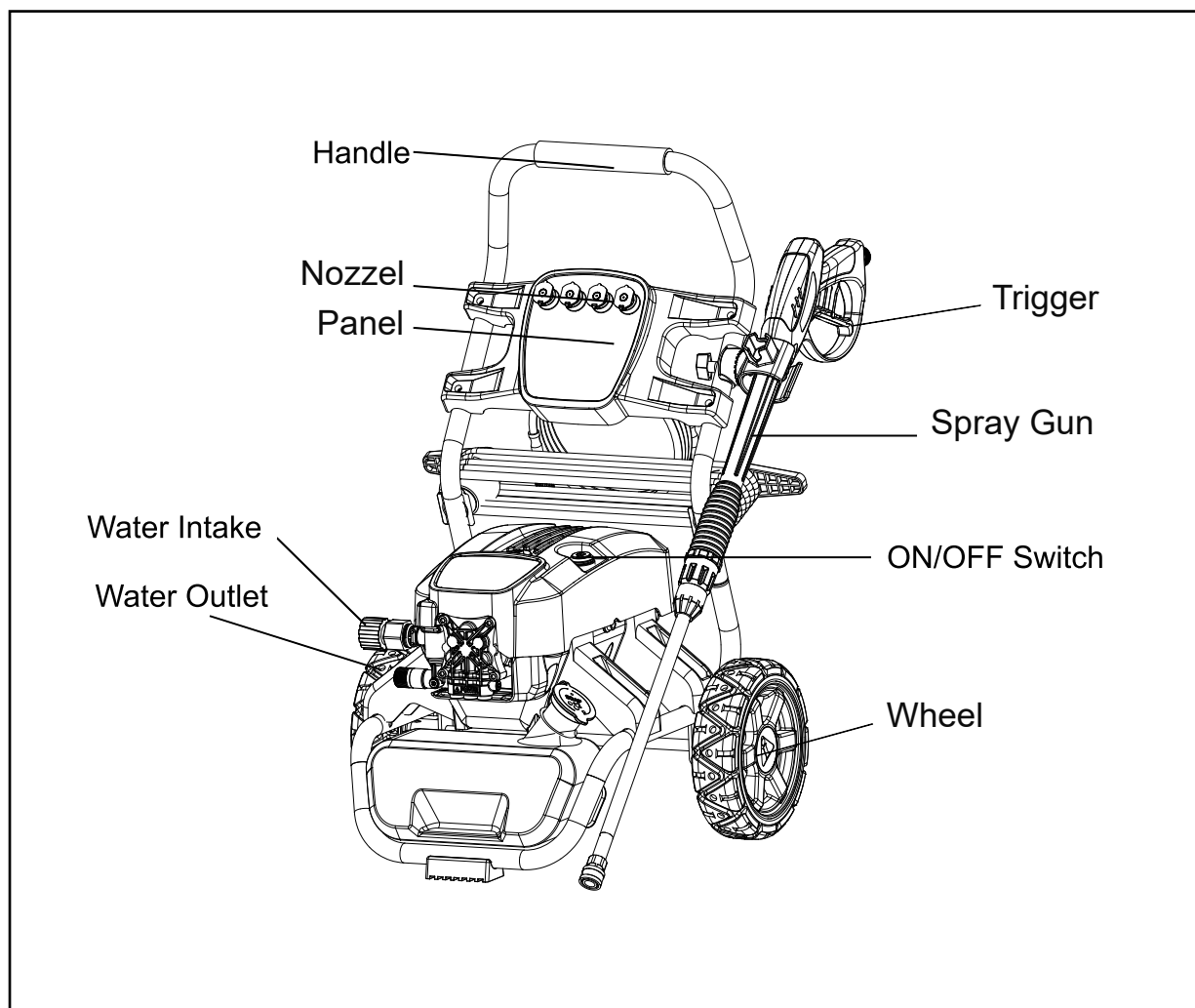


Read the entire SAFETY section at the beginning of this manual including all text under subheadings therein before set-up or use of this product.

⚠ WARNING:

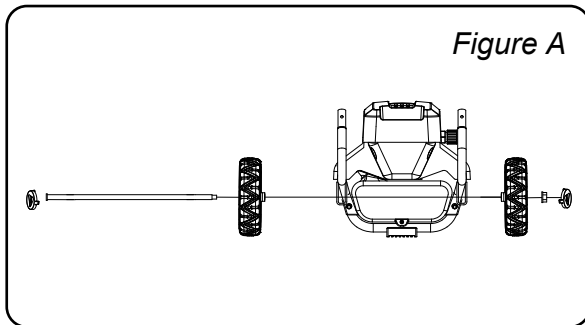
- If any parts are damaged or missing do not operate this product until the parts are replaced. Use of this product with damaged or missing parts could result in serious personal injury.
- Do not attempt to modify this product or create accessories not recommended for use with this product. Any such alteration or modification is misuse and could result in a hazardous condition leading to possible serious personal injury.

Know your Pressure Washer

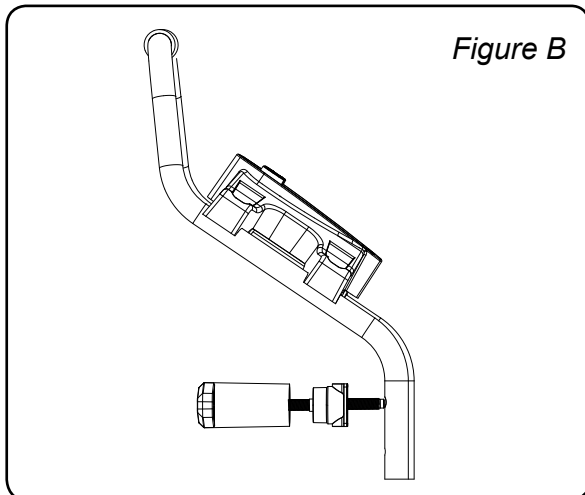


ASSEMBLY:

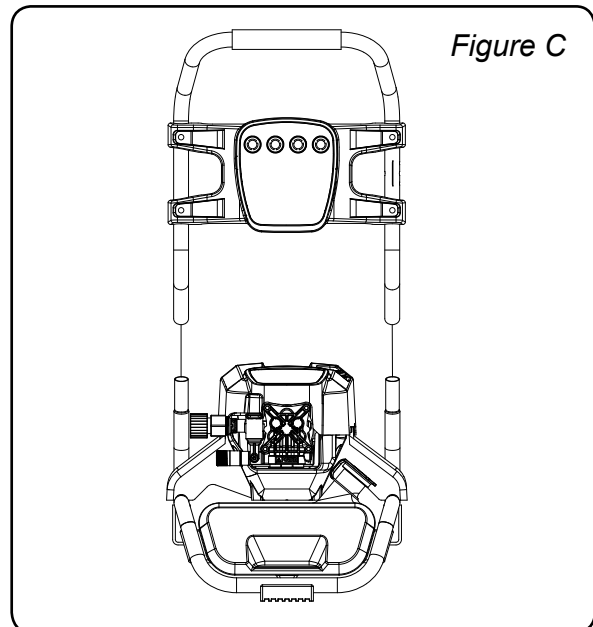
1. Insert the axle through the frame assembly, wheels, gaskets and nuts in turn, then tighten the nut to fix them by a wrench. See Figure A.



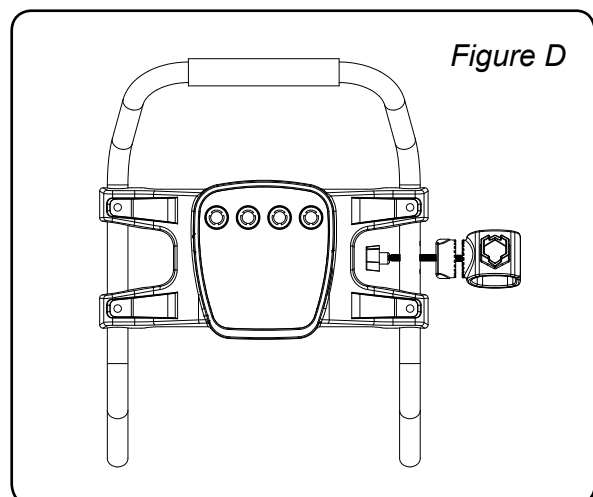
2. Fix the cord wrap assembly to the handle tube assembly by using an Allen key to tighten the hex nut. See Figure B.



3. Insert the handle tube assembly to the frame assembly to put them together. See Figure C.

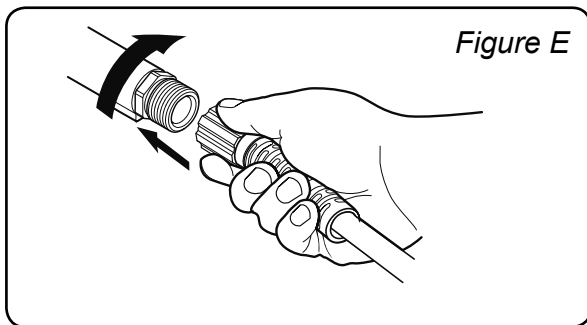


4. Fix the gun holder assembly to the handle tube assembly by tightening the butterfly nut manually. See Figure D.

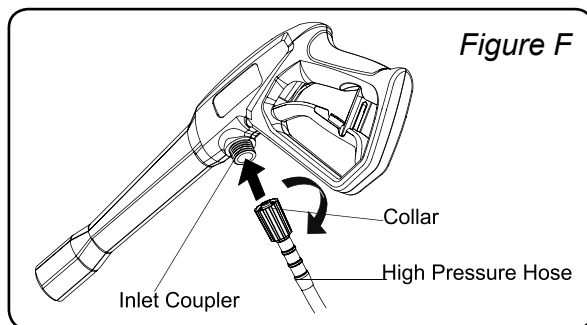


ASSEMBLY:

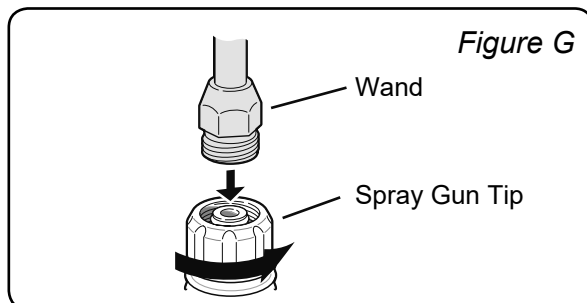
5. Connect the High Pressure Hose to the Pump outlet fitting and tighten the nut firmly by hand, DO NOT use any tool to tighten for steps 3, 4, 5. See *Figure E*.



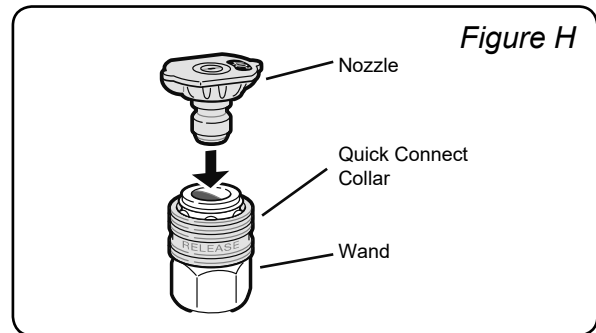
6. Connect the Pressure Hose to the handle of the Spray Gun and tighten the nut firmly by hand. See *Figure F*.



7. Insert the Wand into the Spray Gun tip and tighten the nut firmly by hand. See *Figure G*.

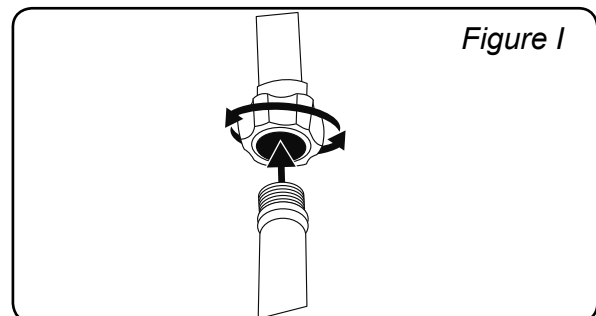


8. Attach the Nozzle to the Wand by pulling back the quick connect collar and pushing the Nozzle onto the end of the Wand. Make sure the quick connect collar locks the Nozzle in place. See *Figure H*.



9. Connect the water supply hose to the water inlet connection on the unit and tighten the Inlet Fitting firmly by hand. See *Figure I*.

The water source must be able to provide a minimum of three gallons of clean, cold water per minute at 20PSI. Only use a 5/8" inner diameter, or larger hose that is rated to meet this capacity.



GENERAL INFORMATION:

Water	Use only cold water. Do not operate pressure washer with clogged or missing water inlet filter screen. Do not operate pressure washer without adequate water supply.
Pressure Adjustment	Pressure setting is pre-set at factory.
High Pressure Pump	There are no serviceable parts to the high-pressure pump. Do not attempt to repair or service the pump, as you may damage it and void your warranty. If you feel that the pump needs service, please call our customer service department at 1-855-888-3598. Do not allow water to freeze in pump. If product is stored in an area that will have temperatures of below 32° F, 0°C, make sure all water is removed from the pump, or a suitable pump protection product has been used. Failure to protect the pump from cold temperatures will cause damage and possibly void your warranty.
High Pressure Hose	Be aware of the hose and its location while using the product. Don't allow the hose to get tangled or kink, as this can cause damage to the hose. DO NOT attempt to move unit by pulling on high-pressure hose.
Soap / Chemicals	Use only soaps and chemicals detergents designed for pressure washer use. Always follow detergent manufacturer's instructions on their container. DO NOT use bleach, acid, any flammable materials, or industrial solvents.
Nozzle	Always keep nozzles clean and unclogged. Use the nozzle needle to clean if clogged.
Storage / Winterizing	The pressure washer is equipped with places to store your accessories as shown in daigram on page 9. <ul style="list-style-type: none"> • Place spray gun into gun holder • Place nozzles in the proper panel. • Coil pressure hose and hang on hanger, or on reel if so equipped. Cover pressure washer and store on a cool dry location out of the reach of children. Do not store outside, or in an area exposed to rain or snow.



CAUTION: Cold storage location

- If product will be exposed to temperatures below 32° F / 0° C during storage, the use of a pump protection product (not included) is required. Use the pump protection product per the pump protection manufacturer's instructions.
- Failure to prepare the pump for exposure to cold temperature will cause damage to the pump and void your warranty.



CAUTION: Read Manual



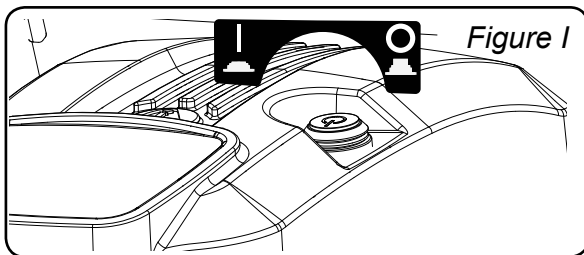
Read the entire SAFETY and SET UP sections at the beginning of this manual including all text under subheadings therein before operation of this product. Improper use or treatment of Pressure Washer can damage internal components and shorten the life of unit. Failure to follow this warning will void warranty.

Pre-Start Checks

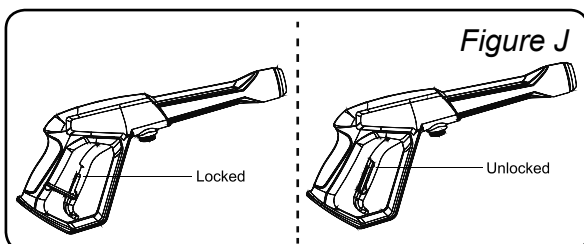
Before every use, inspect the product, looking for damaged, loose and missing parts before setting up and turning on. If any problems are found, do not use the product until fixed properly. Please call our customer service at 1-855-888-3598.

Starting and stopping your pressure washer.

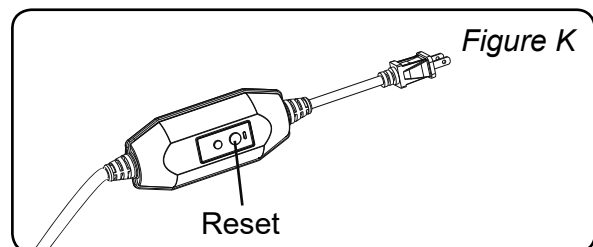
On the front of the product is the MAIN ON / OFF switch (see figure I). This switch works in conjunction with the AUTO ON / OFF switch built into the product. The AUTO switch turns on and off when the trigger of the gun is squeezed and / or released. Because of this, the system can have pressure, even when the motor is not running. Always use caution around the pressure washer.



A. Make sure the garden hose is connected properly, the water is turned on and there are no kinks in the garden hose. Do not run the product without the water connected and on. Failure to do this can overheat the pump and cause damage. Squeeze and hold the trigger to release the air trapped in the hose and pump. Keep trigger squeezed until a steady stream of clean water comes out of the end of the wand. It is best to not have a nozzle inserted when doing this step. Engage the trigger lockout on the gun before proceeding to the next step (see figure J)



B. Plug the GFCI plug into a properly grounded receptacle. Be aware of other electrical appliances that may be running on the same branch circuit as the pressure washer. If the circuit is not rated for enough amperage to power everything on it, the circuit breaker in your home may trip when the pressure washer is turned on. If this happens, determine what else is on the circuit and remove it while you use the pressure washer. Reset the circuit breaker in your home and press the reset button on the GFCI plug to make sure power is getting to the pressure washer (see figure K).










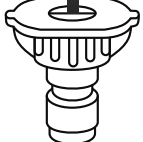
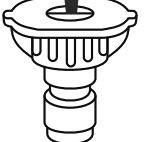





C. Turn the MAIN ON / OFF switch to the ON position. The motor will run for a several seconds as it builds pressure, then the AUTO switch will turn the motor off. This is the normal operating procedure.

1. Selecting the Right Nozzle for the job.

Your product is supplied with a selection of quick connect nozzle tips. The nozzles are sized specifically to give you maximum pressure at all times. Each nozzle is marked and rated in degrees of fan. They are also color coded (see chart below). The higher the number of the fan degree, the wider the fan pattern is. The tighter the spray fan the more impact on the surface, which is good for cleaning tough jobs. The wider the spray fan, the more spread out the impact on the surface, so they are better for easy jobs, or soft surfaces. Finding the correct nozzle for the job at hand make take some experimenting. Always start with the widest fan degree and continue to the lower degree fans until the best work result is achieved. Always test the nozzle on an area that is not noticeable.

NOTICE: Not all models come with all nozzles described in this section. Use only the information pertaining to the nozzles supplied with your product.

					HI PRESSURE, NO SOAP INJECTION					SOAP
					0° RED	15° YELLOW	25° GREEN	40° WHITE	65° BLACK	
0°	✓									
15°	✓	✓								
25°	✓	✓	✓							
40°	✓	✓	✓	✓						
65°	✓	✓	✓	✓						
					AGGRESSIVE					GENTLE

0° Nozzle - Red: This nozzle delivers a pinpoint stream of pressurized water and is extremely powerful. Use it for the toughest cleaning jobs, although it covers only a small area. This nozzle should only be directed at surfaces that can withstand intense high pressure such as metal or concrete. Do not use this nozzle to clean wood or soft surfaces.

15° Nozzle - Yellow: This nozzle delivers a 15-degree spray pattern for heavy duty cleaning and stripping. It should only be used on surfaces that can withstand pressure from this nozzle.

25° Nozzle - Green: This nozzle delivers a 25-degree spray pattern for general tasks. It should only be used on surfaces that can withstand pressure from this nozzle.

40° Nozzle - White: This nozzle delivers a 40-degree spray pattern for easily damaged surfaces. It should only be used on surfaces that can withstand pressure from this nozzle.

65° Chemical Nozzle - Black: This nozzle is used to apply special chemicals and cleaning solutions. This nozzle produces the weakest pressure stream of the nozzles.

! WARNING: Eye protection / Fluid Injection hazard



ALWAYS wear approved safety glasses when operating Pressure Washers. Spray can splash back or propel objects, including incorrectly attached accessories. The high-pressure stream of water that this equipment produces can cut through skin and its underlying tissues, leading to possible amputation. The spray gun traps high water pressure, even when the motor is stopped and water source is disconnected, which can cause injury.

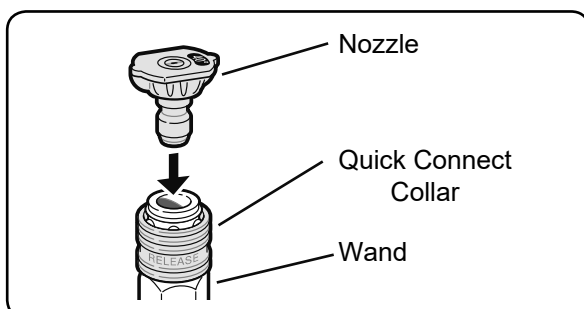
- Do not direct spray from the Pressure Washer at any persons or animals.
- Keep children and pets away from the work area.
- Keep work area clean of loose rocks, glass and debris.
- The high pressure water stream could cause serious injury.

2. Connecting Nozzle to Spray Wand.

! WARNING:

- Never place hands in front of nozzle, or point nozzle at your face.
- Never attempt to clean a clogged nozzle while attached to the wand.
- Never attempt to attach or remove spray wand or hose fittings while Pressure Washer system is pressurized.
- Turn off Pressure Washer. While pointing spray in a safe direction, release pressure by squeezing trigger. Then lock the Gun Trigger before attempting to change pressure nozzles.

- 2.1 To attach, pull quick connect collar back, insert nozzle into female quick-disconnect spray wand and press to lock in place. Make sure collar snaps into place.
- 2.2 To detach, pull quick connect collar back and pull nozzle to remove.



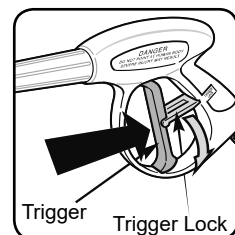
3. Using the Spray Gun.

! WARNING:

- To prevent accidental discharge of high-pressure washer, the trigger lock on the trigger should be engaged whenever the pressure washer is not in use.
- To disengage the Trigger Lock, push the lock down and into its original position.

To Operate the Trigger:

- 3.1 Squeeze the trigger to start water flow through the nozzle.
- 3.2 Release the trigger to stop water flow.



4. Washing/ Cleaning.

- 4.1 Firmly grip spray gun with both hands.
- 4.2 Start with a high degree fan Nozzle, and gradually use lower unit the nozzle meets the task.
- 4.3 Point the nozzle to a safe direction and squeeze the spray gun trigger to allow the pump to purge air and impurities in the system and then redirect the nozzle to the working surface.
- 4.4 Clean vertical and sloped surfaces from the top down.

- 4.5 When cleaning horizontal surfaces, occasionally use the stream to clear the area of excess water.
- 4.6 For most effective cleaning, keep spray nozzle from 8 to 24 inches away from cleaning surface. If you get spray nozzle too close, you may damage surface being cleaned. It is not recommended to get closer than 6 inches when cleaning tires.

5. Pressure Adjustment

- 5.1 Vary your distance: To change the effect of the pressure on the surface being cleaned, vary the distance between spray nozzle and the surface being cleaned. The closer to the surface the higher the effect of the pressure. As you pull away from the surface, the pressure effect will reduce. For most effective cleaning, keep the nozzle between 8 to 24 inches from surface being cleaned

6. Using Chemicals

NOTICE: Use only soaps and chemicals designed for use with a Pressure Washer. **DO NOT USE CHLORINE BLEACH, ACIDS OR INDUSTRIAL SOLVENTS.** Chemicals, soaps and cleaning solvents will not siphon when a high-pressure nozzle is used. Only use the Black (low pressure) Nozzle when spraying detergents. Fill Detergent Tank (if so equipped) with prepared detergent solution and close the cap. The Pressure Washer will draw one gallon of detergent for every seven gallons of water.

- 6.1 If your Pressure Washer is equipped with an on board soap tank:
 - a. Fill the soap tank with detergent and close the lid.
 - b. Change the nozzle in the wand to Black Nozzle
 - c. Start the engine, and spray with soap.

7. To Rinse

- 7.1 Replace the nozzle with an appropriate high-pressure nozzle (see "Selecting The Right Nozzle" on Page 18). Squeeze the trigger and wait for the detergent to clear.
- 7.2 Keep the spray gun a safe distance from the area you plan to spray.
- 7.3 Apply a high-pressure spray to a small area, and then check the surface for damage. If no damage is found, it is okay to continue cleaning.
- 7.4 For a vertical surface, start at the top of the area to be rinsed, working down with same overlapping strokes as you used for washing and applying detergent.

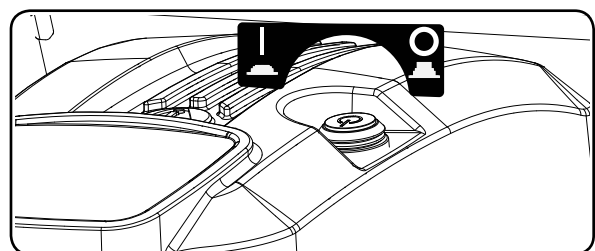
8. Cleaning Tips

NOTICE: Never use the Pressure Washer garden hose inlet to siphon detergent or wax. Leaving chemicals and cleaning solutions inside the pressure pump could damage it. Damages created by leaving soaps, chemicals and cleaning solutions inside the pump can void the warranty.

9. Stopping the Pressure Washer

To stop the product in an emergency, turn the Main ON / OFF Switch to the off position. Under normal conditions, use the following procedure:

- 9.1 Release the Trigger on the Spray Gun handle.
- 9.2 Turn the Main Switch off.
- 9.3 Turn the water supply off.
- 9.4 Unplug the GFCI cord.



NOTICE: Regular maintenance will improve the performance and extend the life of your Pressure Washer. Service should be done by a qualified person or technician.

Pressure Washer's warranty does not cover items that have been subjected to operator abuse or negligence. Only by maintaining Pressure Washer in accordance with instructions in this manual will the full value of the warranty be honored.

Pump Maintenance

NOTICE: The pressure pump is maintenance free. If you notice any sign of oil leakage in and around the pump, DO NOT operate the pressure washer. Please call our Customer Service at 1-855-888-3598.

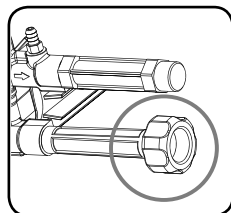
Cleaning Nozzle:

Occasionally, the spray wand can become clogged with foreign materials such as dirt. When this happens, excessive pressure can develop. Whenever the pressure nozzle becomes particularly clogged, the pump pressure will pulsate. It should be immediately cleaned.

1. Make sure Pressure Washer is off and spray gun is locked.
2. Remove high pressure spray nozzle from the spray wand. Using the nozzle cleaning needle (provided), remove any obstructions by inserting and carefully moving the pin back-and-forth through nozzle hole under clean running water.
3. After cleaning, remove the needle from nozzle and store for future use.
4. Reassemble pressure nozzle to spray wand.

Cleaning Water Inlet Screen Filter:

The pump water inlet has a filter screen that should be checked periodically and cleaned if necessary.



- Disconnect inlet water hose.
- Remove filter by grasping end and pull straight out.
- Clean screen filter by flushing both sides with water.
- Insert screen filter back inside water inlet port.

NOTICE: Do not operate Pressure Washer without water inlet screen filter in place. Impurities entering pressure pump can cause internal damage.

Cleaning Pressure Washer

Daily or before each use inspections should include areas around and underneath Pressure Washer looking for signs of water or oil leaks. Preventative maintenance should be taken if leakage is found. Inspect cooling air slots and openings on Pressure Washer housing. Openings must be kept clean and unobstructed for peak performance of Pressure Washer.

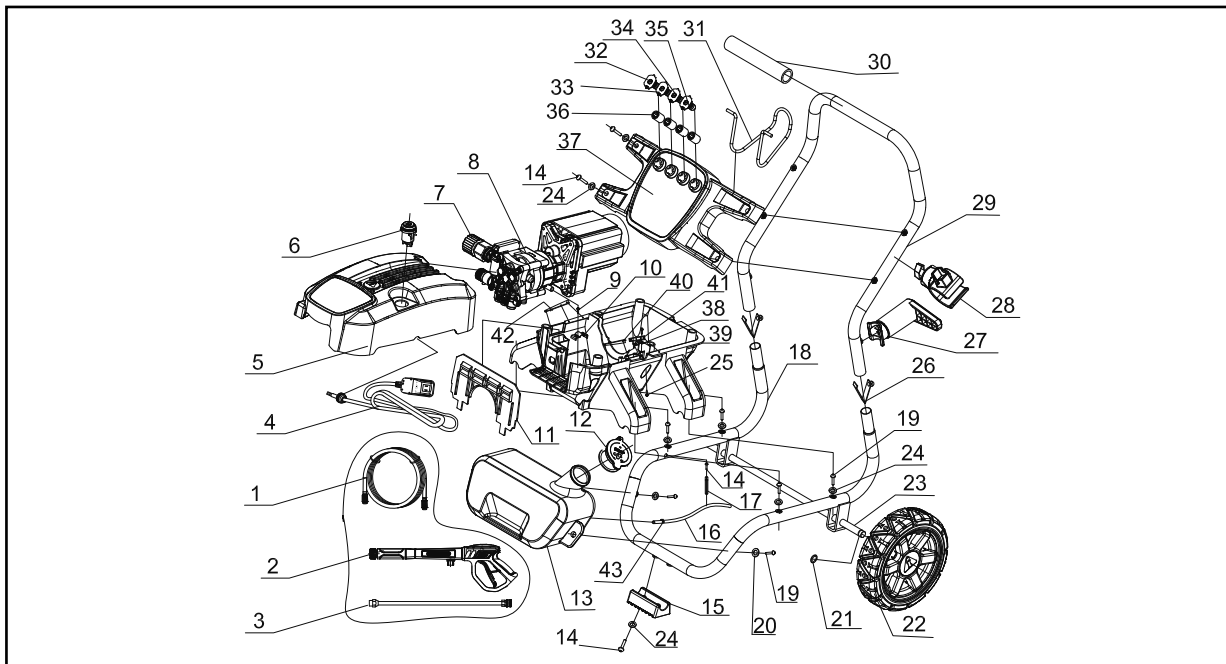
- Use a damp cloth to wipe exterior surfaces clean.
- Use a soft bristle brush to loosen caked on dirt.
- Use a shop-vacuum to pick up any loose dirt and debris.

Troubleshooting

PROBLEM	POSSIBLE CAUSE	POSSIBLE SOLUTION
Motor will not start.	On/Off switch is in the "OFF" (O) position.	Set switch to the "ON" (I) position.
	Power cord is not plugged in.	Plug in power cord.
	Electrical outlet does not supply adequate power.	Try a different outlet.
	Tripped pressure washer circuit breaker.	Allow to cool, and restart unit.
	Power switch is ON however gun trigger is not squeezed ON.	With power switch ON, squeeze the gun trigger which will engage the AUTO ON switch.
Unit does not reach high pressure.	Diameter of garden hose is too small.	Replace with a 1" (25 mm) or 5/8" (16 mm) garden hose.
	Water supply is restricted.	Check garden hose for kinks, leaks and blockage.
	Not enough water supply.	Open water source fully.
	Pressure Tip has not been installed on wand assembly.	Add desired pressure tip to end of wand.
	Water inlet filter is clogged	Remove filter and rinse with clean water.
Output pressure varies from high to low	Not enough inlet water supply.	Turn water on fully. Check garden hose for kinks, leaks or blockage.
	Pump is sucking air.	Check that all hoses and fittings are tight. Turn product OFF and purge air from pump by squeezing the trigger until a steady stream of clean water flows from the spray tip.
	Water inlet filter is clogged	Remove filter and rinse with clean water.
	Supply voltage below minimum.	Verify that only the pressure washer is running on this circuit.

Troubleshooting continued

PROBLEM	POSSIBLE CAUSE	POSSIBLE SOLUTION
Motor buzzes but fails to run.	Supply voltage below minimum.	Verify that only the pressure washer is running on this circuit.
	System has residual pressure.	Turn unit "OFF", squeeze trigger on spray wand to release pressure, then turn unit "ON".
	Voltage loss due to extension cord.	Unplug any extension cords attached and plug the unit directly into the outlet.
	Pressure washer not used for long periods.	Call customer service.
	Residual friction among components. Unit might hum.	Disconnect water supply and power ON for 2 to 3 seconds, repeat couple times or until the motor starts.
No water.	Water supply is OFF.	Turn ON water supply
	Kink in the garden hose.	Remove kink in garden hose.
No Detergent	Soap injector hose is not properly submerged into the detergent.	Make sure hose is properly submerged.
Wand Leaks	O-ring damaged	Replace o-ring. If this does not correct the issue, call our toll free customer service department at 1-855-888-3598



Part	Description	QTY
1	High pressure hose	1
2	Gun	1
3	Wand	1
4	Wire harness assembly	1
5	Upper shell assembly	1
6	Switch	1
7	Water inlet union nut	1
8	Motor pump assembly	1
9	Cross recessed pan head tapping screw	8
10	Pump head clip	2
11	Baffle	1
12	Soap tank cap	1
13	Soap tank	1
14	Hexagon socket head bolt	7
15	Shock absorbing mount	1
16	Siphon tube	0.5
17	Metal harness clip	1
18	Frame assembly	1
19	Hexagon socket head bolt	6
20	Flat washer	2
21	Circlip for shaft	2
22	Wheels assembly	2

Part	Description	QTY
23	Axel	1
24	Flat washer	8
25	Cross recessed pan head tapping screw	6
26	V-shaped clip	2
27	Cord wrap assembly	2
28	Gun holder assembly	1
29	Handle tube assembly	1
30	Handle rubber sleeve	1
31	Hose hook	1
32	Nozzle	1
33	Nozzle	1
34	Nozzle	1
35	Nozzle	1
36	Nozzle fixing seat	4
37	Nozzle panel	2
38	Power supply fixing clip	2
39	Base plate assembly	1
40	Plastic rib	1
41	Plastic rib	1
42	Plastic rib	1
43	Clamp	2

FOR TECHNICAL QUESTIONS, PLEASE CALL 1-855-888-3598

LIMITED WARRANTY**KEEP YOUR RECEIPT.**

Proof of purchase will be required to substantiate any warranty claim.

WHAT IS COVERED:

A-iPower Corp. warrants to the original retail purchaser in the United States of America, or Canada that this product is free of defects in material and workmanship and agrees, at A-iPower Corp's direction, to either repair, provide replacement parts for, or replace (without charge for parts or labor) any product or component with a material defect for a period of 2 years from the date of purchase, except as limited below. Warranty service and replacement parts are warranted only for the duration of the warranty on the original product. All replaced parts or products become a property of A-iPower Corp. This product is also covered by an Emissions Control System Warranty which is separate from and in addition to the warranty.

Warranty

A-iPower Limited Warranty – 2 Years Residential and 1 Year Commercial

2 year Residential warranty applies as follow: 1st year Parts & Labor / 2nd year Parts ONLY

Thank you for choosing A-iPower products. To ensure proper registration of your product warranty, please submit your warranty registration along with proof of purchase within 10 days of the date of purchase, this can be done by:

A. Completing the Warranty Registration form at the back of this manual and mailing to:

B. Visit us at www.a-ipower.com and click the product registration icon.

A-IPOWER CORP
10887 COMMERCE WAY UNIT A
FONTANA CA 92337 USA

Warranty Term

A-iPower will provide warranty for any of its products purchased through any authorized A-iPower dealer in North America to the original purchaser and will be warranted against defects in material or workmanship for a period of two (2) years for Consumer use from date of purchase, subject to exclusions noted herein. Commercial and Rental applications are warranted for a period of one (1) year from date of purchase.

“Consumer Use” – residential household use by a retail consumer

“Commercial Use” – all other use – commercial , business, industrial, or rental purpose.

How to Obtain Warranty Service

Please call our Customer Service Dept. 855-888-3598 or e-mail to support@a-ipower.com
Please have necessary information available – Model Number, Serial Number, Proof of Purchase.

DO NOT RETURN THE PRODUCT TO THE PLACE OF PURCHASE

A-iPower Customer Service Dept will assist with all product related questions and will help troubleshoot issues and will send any replacement parts as necessary while product is within the warranty period at no charge. If the issue cannot be resolved then A-iPower Customer Service Dept at its discretion determine and authorize diagnosis and repair through one of its authorized Service Centers. A-iPower Corp at its discretion may choose to provide replace of part, component, or product. Service or replacement of parts at any unauthorized repair facility without prior authorization will not be covered by this warranty.

Warranty Exclusions

This warranty does not cover the following:

Regular wear and maintenance – this warranty will not cover repair when normal use has exhausted the lifetime of a part(s) or engine.

Installation and Maintenance - this warranty does not cover improper or unauthorized assembly, alteration, modification or any other damage resulting from misuse or neglect.

Normal maintenance parts - this warranty does not cover spark plugs, air filters, adjustments, or other related service due to obstructions and other build ups resulting from improper maintenance

Additional exclusions – this warranty does not cover wearable parts such as filters, spark plugs, o-rings, batteries etc. It does not cover any cosmetic defects such as scratches to paint, decals etc. It does not cover any damage resulting from use of non-original manufacturer's parts, use of after-market parts. It does not cover any failures due to acts of God and other force majeure events beyond the control of the manufacturer.

Warranty limits and Implications and Consequential Damages

A-iPower is not obligated to cover any loss of time, use of product, freight cost, or any other incidental or consequential claim from the use of this product. This warranty is in Lieu of all other warranties, express or implied

This warranty gives you specific legal rights which vary from state to state.

MERCHANDISE RETURN GUIDELINES

- All products must be returned in original or equivalent packaging. Improperly packaged returns will not be accepted.
- Must have adequate packing for transportation
- Federal Law requires that all machines that utilize gasoline, oil, or other flammable liquids must be drained Completely & Thoroughly prior to shipment.
- Gas caps and oil plugs must be left off for 24 hours prior to shipping. Please note: liability for this violation of the law resides with the sender of the shipment.
- Return to address provided in return authorization, using the parcel service required. Units returned without authorization will not be honored.
- Please Note: Refunds will not be granted for items that have been modified or damaged by abuse or usage not in accordance with product instructions.



Fontana, CA 92337 USA

Phone: 1-855-888-3598

support@a-ipower.com

www.a-ipower.com

Made in Vietnam



A-iPOWER WARRANTY REGISTRATION FORM

Register your product by emailing this form to support@a-ipower.com or register on-line at: www.a-ipower.com.

Registering your product is important , it provides the following protections:

1. You have record of product purchased
2. Customer Service can Better serve you for Warranty related issues
3. We can contact you in the unlikely event should notification is necessary

Customer Information:

Name: _____
 Phone: _____
 E-mail: _____
 Address: _____
 City, State: _____
 Zip code: _____
 Purchase Date: _____

Product Information:

Serial #

Model #

The serial No. can be found on the engine.
 PLEASE NOTE: Your product cannot be registered without model & serial numbers.

- 1.THE PRODUCT WAS PURCHASED FOR: A. Residential cleaning
 B. Other _____
- 2.THIS PRODUCT IS A: (select one)
 A. First time purchase
 B. Replacement
- 3.HOW DID YOU FIRST LEARN OF THIS PRODUCT: (select one)
 A. Radio
 B. Store Display
 C. Contractor
 D. Trade Show
 G. Direct Mail
 H. From Friend/Relative/Neighbor
 I. Internet
 J. Other _____

4. PLEASE RATE THE FOLLOWING:	Completely Satisfied				Not at all Satisfied
	5	4	3	2	1
Product Value for Price Paid	<input type="checkbox"/>	<input type="checkbox"/>	<input type="checkbox"/>	<input type="checkbox"/>	<input type="checkbox"/>
Performance	<input type="checkbox"/>	<input type="checkbox"/>	<input type="checkbox"/>	<input type="checkbox"/>	<input type="checkbox"/>
Features	<input type="checkbox"/>	<input type="checkbox"/>	<input type="checkbox"/>	<input type="checkbox"/>	<input type="checkbox"/>
Product Appearance	<input type="checkbox"/>	<input type="checkbox"/>	<input type="checkbox"/>	<input type="checkbox"/>	<input type="checkbox"/>
Warranty	<input type="checkbox"/>	<input type="checkbox"/>	<input type="checkbox"/>	<input type="checkbox"/>	<input type="checkbox"/>
Ease of Maintenance	<input type="checkbox"/>	<input type="checkbox"/>	<input type="checkbox"/>	<input type="checkbox"/>	<input type="checkbox"/>
Noise Level	<input type="checkbox"/>	<input type="checkbox"/>	<input type="checkbox"/>	<input type="checkbox"/>	<input type="checkbox"/>

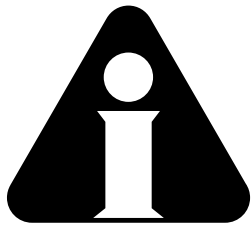
5 . HOW LIKELY ARE YOU TO RECOMMEND A-iPOWER TO FAMILY OR FRIENDS?

	Extremely Likely			Not Likely at all	
	5	4	3	2	1
	<input type="checkbox"/>	<input type="checkbox"/>	<input type="checkbox"/>	<input type="checkbox"/>	<input type="checkbox"/>

Privacy Statement: A-ipower is committed to respecting your privacy and to complying with the regulations regarding the protection of personal data. The survey data we collect is for the purposes of marketing or product support and demographic information about the entire audience registering their products.



Fontana, CA 92337 USA
Phone: 1-855-888-3598
support@a-ipower.com
www.a-ipower.com
Made in Vietnam



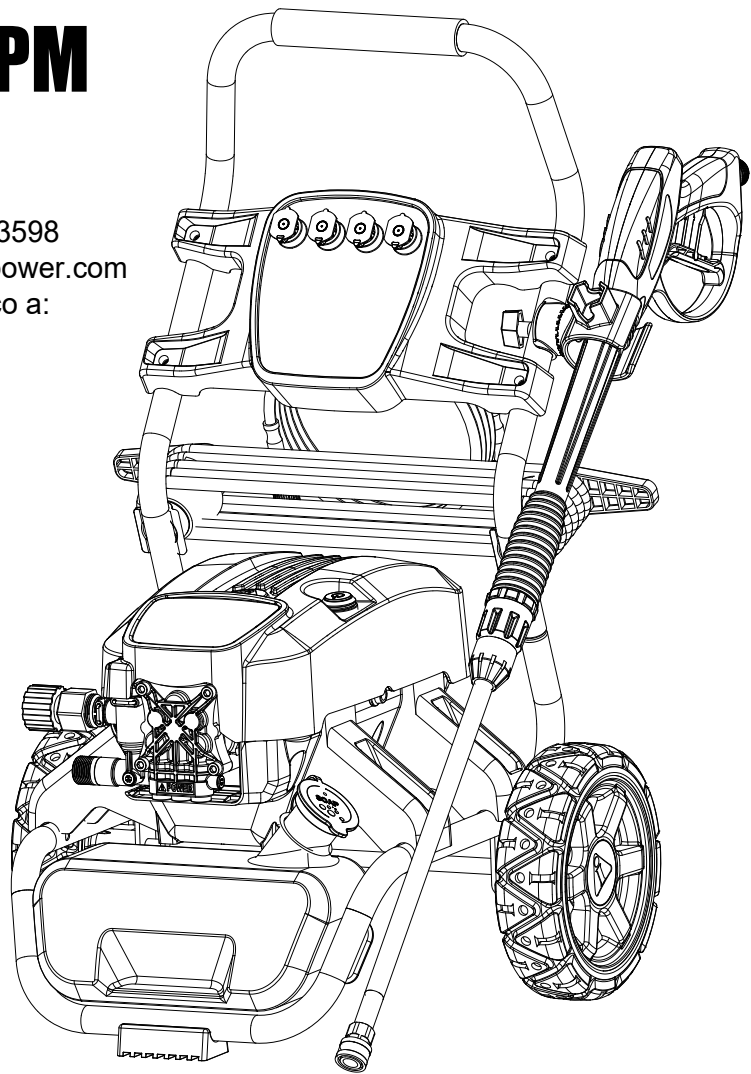
POWER™



MANUAL DEL PROPIETARIO E INSTRUCCIONES DE OPERACIÓN

LAVADORA A PRESIÓN 2000 PSI, 1.2 GPM Modelo : PWE2000

SERVICIO AL CLIENTE: 1-855-888-3598
Visite nuestro Sitio Web en: www.a-ipower.com
Envíe email a nuestro Soporte Técnico a:
support@a-ipower.com



A-iPower Corp.
Fontana, CA 92337 EE.UU.
www.a-ipower.com



ADVERTENCIA: GUARDE ESTE MANUAL PARA REFERENCIA FUTURA



Este manual contiene información importante sobre la seguridad, operación, mantenimiento y almacenamiento del producto. Antes de su uso, lea atentamente y entienda todas las precauciones, advertencias, instrucciones y etiquetas del producto. Si no lo hace, podría resultar en graves lesiones personales y / o daños a la propiedad.

TABLA DE CONTENIDO

ESPECIFICACIONES DEL PRODUCTO	1
SEGURIDAD	
Símbolos de Seguridad y sus Significados	2
Instrucciones y Precauciones de Seguridad	3
PREPARACIÓN	
Conocer su Lavadora a presión	9
Montaje	10
Información General	11
OPERACIÓN	
Comprobaciones Previas al Arranque	13
MANTENIMIENTO	
Limpiar la Lavadora a presión	17
Resolución de Problemas.....	18
LISTA Y DIAGRAMA DE PIEZAS	
Diagrama de Montaje General	20
Lista General de Piezas	20
GARANTÍA	
Garantía de AiPower	21

ESPECIFICACIONES DEL PRODUCTO

1

Modelo	PWE2000
Motor	Universal, 120V - 60Hz, 14.5 amperios
Presión máxima	2000 PSI
Flujo máximo	1.2 GPM
Manguera	1/4 x 25' M22
Varilla	21" x 1/4 Q/C
Selección de boquilla	Q/C 0°, 25°, 40°, jabón
Peso bruto / neto	28.7 lbs.(13 kg) / 24.3 lbs.(11 kg)

AVISO: Trabajamos constantemente para mejorar nuestros productos. Por lo tanto, el producto final puede ser distinto de las imágenes que se muestran. A-iPower se reserva el derecho de cambiar funciones y especificaciones sin previo aviso para mejorar los productos en el futuro.

Este Manual de Operación se ha diseñado para instruirle sobre la operación correcta de su producto de A-IPOWER. Su satisfacción con el producto y su funcionamiento seguro es nuestra preocupación fundamental. Por lo tanto, tómese algún tiempo para leer el manual entero, especialmente los símbolos e instrucciones de seguridad, que le ayudarán a evitar potenciales peligros que puedan existir cuando trabaje con el producto. Se han realizado todos los esfuerzos para asegurar que la información contenida en este manual sea precisa y actual. Pero nos reservamos el derecho de cambiar, alterar o mejorar de otra manera el producto y este documento en cualquier momento sin previo aviso.

Símbolos y Advertencias de Seguridad:

⚠ PELIGRO: Indica un peligro que, si no se evita, resultará en la muerte o graves lesiones.

⚠ PRECAUCIÓN: Indica un peligro que, si no se evita, podría resultar en lesiones menores o moderadas.

⚠ ADVERTENCIA: Indica un peligro que, si no se evita, podría resultar en la muerte o graves lesiones.



AVISO: Indica información o aborda prácticas que se consideran importantes pero no están relacionadas con lesiones personales.

Símbolos de Seguridad y sus Significados:

Aparecerán los siguientes símbolos en este manual y en el producto. Para un uso seguro del producto, asegúrese de aprenderlos y conocer sus significados.

	Alerta de Seguridad
	Leer el Manual del Operador
	Descargas Eléctricas
	Protección Ocular
	Superficie Caliente
	Inyección de Fluido
	Contragolpe
	Piezas Móviles

	Alerta de Condiciones Húmedas
	Explosión
	Proyectil
	Quemaduras Químicas
	Peligro Eléctrico
	Superficie Deslizante
	Caída
	Fuego

Pueden aparecer los siguientes símbolos en el producto. Para un uso seguro del producto, asegúrese de aprenderlos y conocer sus significados.		
V	VOLTIOS	Voltaje
A	AMPERIOS	Corriente
Hz	HERTZIOS	Frecuencia (ciclos por segundo)
W	VATIOS	Potencia
	ALTERNA	Tipo de corriente
n_0	VELOCIDAD SIN CARGA	Velocidad rotacional, sin carga
	CLASE II	Construcción con doble aislamiento
.../ min	POR MINUTO	Revoluciones por minuto

Instrucciones y Precauciones de Seguridad Importantes:

⚠️ ADVERTENCIA: LEA Y ENTIENDA TODAS LAS INSTRUCCIONES DE SEGURIDAD

- Mantenga el área de trabajo sin personas, sobre todo, niños pequeños y mascotas.
- Evite entornos peligrosos. Mantenga el área de trabajo bien iluminada. No exponga el producto a la lluvia durante su uso o almacenamiento.
- No utilice el producto si la unidad no se puede apagar por el interruptor. Tenga el interruptor reemplazado por un centro de servicio autorizado.
- Mantenga los protectores en su lugar y en condiciones de funcionamiento. Nunca opere el producto con algún protector o cubierta retirado. Asegúrese de que todos los protectores y cubiertas estén intactos y en correcto funcionamiento antes de cada uso.
- Mantenga el producto seco, limpio, sin aceite ni grasa. Siempre utilice un paño limpio al realizar la limpieza. Nunca limpie el producto con líquido de frenos, gasolina, productos a base de petróleo ni solventes.
- Tenga precaución al colocar la lavadora a presión para su uso. El aire caliente del motor podría provocar áreas decoloradas en el césped.
- Asegúrese de mantener un espacio libre de por lo menos 3 pies de cualquier material combustible.
- Nunca recoja ni transporte una máquina con el motor en funcionamiento.
- Nunca arranque la máquina si se ha formado hielo en alguna parte del equipo.
- Para reducir el riesgo de lesiones, mantenga a todos los niños y visitantes lejos del producto durante su uso. Todos los visitantes deben usar gafas protectoras y estar a una distancia segura del área de trabajo.
- Utilice el producto para su uso previsto. No intente realizar con el producto o con los accesorios tareas para las que no se han diseñado. No lo utilice para un propósito distinto del previsto. Sólo utilice accesorios recomendados con el producto. El uso de accesorios inadecuados y / o modificados puede generar riesgo de lesiones.
- Nunca rocíe demasiado cerca de la superficie a limpiar, ya que se puede dañar. Intente limpiar un área apenas visible primero si existe alguna preocupación.

PARA CONSULTA TÉCNICAS, LLAME AL NÚMERO 1-855-888-3598


- Después de apagar el motor, siempre apriete el gatillo en el mango de gatillo para liberar la presión almacenada en la manguera de alta presión. Si no lo hace, podría resultar en graves lesiones personales.
- No se asome ni se pare sobre una escalera, un tejado u otra estructura de apoyo inestable. Mantenga una postura firme y buen equilibrio en todo momento.
- Permanezca alerta y ejerza el control. Observe lo que está haciendo en todo momento aplicando el sentido común. No opere herramientas cuando se siente cansado. No se apure.
- No opere el producto bajo los efectos de drogas, alcohol o cualquier medicamento.
- No abuse el cable. Nunca transporte el producto ni desconecte el enchufe desde un tomacorriente a través del cable. Mantenga el cable alejado del calor, aceite, bordes afilados y piezas móviles. Reemplace los cables dañados de inmediato. Los cables dañados aumentan el riesgo de descargas eléctricas.
- Debe brindarse protección de Interruptor de Circuito por Falla a Tierra (GFCI) en el(los) circuito(s) o tomacorriente(s) a utilizar para el producto. Los receptáculos están disponibles con protección de GFCI incorporada y pueden servir para esta medida de seguridad.
- Para reducir el riesgo de descargas eléctricas, el producto dispone de un enchufe polarizado (una hoja es más ancha que la otra) y requerirá la aplicación de un cable de extensión polarizado. El enchufe encajará en un cable de extensión polarizado de una sola manera. Invierta el enchufe si no encaja totalmente en el cable de extensión. Obtenga un cable de extensión polarizado correcto si el enchufe aún no encaja. Un cable de extensión polarizado requerirá la aplicación de un enchufe polarizado que encajará en un cable de extensión polarizado de una sola manera. Invierta el enchufe si no encaja totalmente en el cable de extensión. Obtenga un tomacorriente de pared correcto si el enchufe aún no encaja. Este enchufe encajará en el tomacorriente de pared polarizado de una sola manera. Invierta el enchufe si no encaja totalmente en el tomacorriente de pared. Póngase en contacto con un electricista calificado para instalar el tomacorriente de pared adecuado si el enchufe aún no encaja. No cambie de ninguna manera el enchufe del equipo, el receptáculo del cable de extensión ni el enchufe del cable de extensión.
- **ADVERTENCIA:** Emplee cables de extensión para exteriores que están marcados SW-A, SOW-A, STW-A, STOW-A, SJW-A, SJTW-A, o SJTOWA. Estos cables están clasificados para exteriores y capaces de reducir el riesgo de descargas eléctricas. Previo a cada uso, inspeccione el cable para ver si existen alambres sueltos o expuestos y aislamiento cortado o desgastado.
- Asegúrese de que su cable de extensión se encuentre en buenas condiciones. Al utilizar un cable de extensión, asegúrese de que sea lo suficientemente grueso para soportar la corriente que consumirá el producto. Un calibre de cable (A.W.G.) de por lo menos 14 es recomendado para un cable de extensión con una longitud de 25 pies o menos. Si tiene alguna duda, aplique el siguiente calibre mayor. Cuanto menor sea el número de calibre, más grueso será el cable. Un cable de tamaño reducido provocará una caída de voltaje en línea, resultando en pérdida de electricidad y sobrecalentamiento.
- Inspeccione periódicamente los cables de extensión y reemplácelos si encuentra daños.
- No emplee ácidos, alcalinos, solventes, materiales inflamables, blanqueadores ni soluciones de grado industrial en el producto. Estos pueden producir lesiones físicas en el operador y daños irreversibles a la máquina.
- Antes del almacenamiento, deje que se refrigere el motor.
- Al llevar a cabo la revisión, sólo adopte piezas de repuesto idénticas. El uso de cualquier otra pieza puede ocasionar peligros o causar daños al producto.
- Antes de comenzar cualquier limpieza, cierre las puertas y ventanas. Despeje el área a limpiar de escombros, juguetes, muebles para exterior y otros objetos que podrían ocasionar peligros.
- Sólo utilice agua fría con el producto.
- Guarde estas instrucciones. Consúltelas con frecuencia y empléelas para instruir a otros usuarios. Si presta el producto a alguien, déle también estas instrucciones.
- Para uso en exteriores, solamente.

PARA CONSULTA TÉCNICAS, LLAME AL NÚMERO 1-855-888-3598

Instrucciones y Precauciones de Seguridad importantes específicamente para la electricidad y los componentes eléctricos del producto:

DOBLE AISLAMIENTO

El doble aislamiento es un sistema de seguridad en las herramientas eléctricas, que elimina la necesidad del habitual cable de alimentación puesto a tierra con 3 alambres. Todas las partes metálicas expuestas están aisladas de los componentes internos del motor con aislamiento protector. No se requiere conectar los productos con doble aislamiento a tierra.



ADVERTENCIA: Descargas Eléctricas

El sistema de doble aislamiento está destinado a proteger al usuario contra las descargas eléctricas resultantes de una ruptura del aislamiento interno del producto. Siga todas las precauciones de seguridad normales para evitar descargas eléctricas.

NOTA: La revisión de un producto con doble aislamiento requiere extremo cuidado y conocimiento del sistema y debe efectuarse sólo por un técnico de servicio calificado. Para la revisión, le recomendamos que devuelva el producto a su centro de servicio autorizado más cercano para su reparación. Sólo adopte piezas de repuesto originales de fábrica al llevar a cabo la revisión.

CONEXIÓN ELÉCTRICA

El producto dispone de un motor eléctrico construido con precisión. Debe estar conectado a una fuente de alimentación que tiene un valor nominal de 120V / 60Hz AC (circuito típico para uso doméstico de EE. UU.).

No opere el producto con corriente continua (DC). Una caída sustancial de voltaje ocasionará pérdida de electricidad y sobrecalentamiento del motor. Si el producto no funciona cuando está enchufado a un tomacorriente, verifique de nuevo la fuente de alimentación.

CABLES DE EXTENSIÓN

Al utilizar una herramienta eléctrica a una distancia considerable de una fuente de energía, asegúrese de emplear un cable de extensión que tenga la capacidad de soportar la corriente que consumirá el producto. Un cable de tamaño reducido provocará una caída de voltaje en línea, resultando posiblemente en sobrecalentamiento, pérdida de electricidad y / o disparo del disyuntor o GFCI. Utilice la tabla para determinar el calibre de cable mínimo necesario para un cable de extensión. Se deben utilizar cables redondos recubiertos en las listas de Underwriters Laboratories (UL), solamente.

Al trabajar al aire libre con un producto, emplee cables de extensión para exteriores que están marcados SW-A, SOW-A, STW-A, STOW-A, SJW-A, SJTW-A, o SJTOWA. Estos cables están clasificados para exteriores y capaces de reducir el riesgo de descargas eléctricas. Inspeccione el cable para ver si existen alambres sueltos o expuestos y aislamiento cortado o desgastado. Es posible atar el cable de extensión y el cable de alimentación con un nudo para evitar que se desconecten durante su uso. Haga un nudo y luego conecte el extremo del enchufe del cable de alimentación al extremo del receptáculo del cable de extensión. También se puede aplicar este método para unir dos cables de extensión.

CABLE DE EXTENSIÓN RECOMENDADO PARA SU USO CON EL PRODUCTO:

Longitud del Cable	Calibre de Cable (A.W.G.)
25 ft.	14
50 ft	12
100 ft.	No Recomendado

INTERRUPTOR DE CIRCUITO POR FALLA A TIERRA (GFCI)

Esta unidad está dotada de un interruptor de circuito por falla a tierra (GFCI) para proteger contra el peligro de corrientes de falla a tierra. Un ejemplo de corrientes de falla a tierra es la corriente que fluiría a través de una persona quien está utilizando un aparato con aislamiento defectuoso y, al mismo tiempo, está en contacto con una tierra eléctrica como accesorio de plomería, suelo mojado o tierra. El enchufe de GFCI no brinda protección contra cortocircuitos, sobrecargas o descargas eléctricas.


NOTA: Para asegurar la disponibilidad de uso, pulse el botón REINICIO cada vez que conecte la lavadora a presión a la fuente de alimentación.

El enchufe de GFCI puede probarse con los botones PRUEBA y REINICIO.


Para probarlo:

- Pulse el botón PRUEBA. Escuchará un sonido "clic" y la luz LED roja se apagará
- Para restaurar la energía eléctrica, pulse el botón REINICIO. La luz LED se iluminará para indicar que la energía eléctrica ha sido restaurada.


Lleve a cabo esta prueba cada mes para garantizar un funcionamiento adecuado del GFCI.

 **ADVERTENCIA:** Descargas Eléctricas

Mantenga el cable de extensión alejado del área de trabajo. Coloque el cable de tal manera que no se enrede en la madera, herramientas ni otras obstrucciones cuando trabaje con una herramienta eléctrica. Si no lo hace, puede resultar en graves lesiones personales.



 **ADVERTENCIA:** Descargas Eléctricas

Verifique los cables de extensión antes de cada uso. Reemplácelos de inmediato si encuentra daños. Nunca utilice el producto con un cable dañado, ya que si toca el área dañada podría provocar descargas eléctricas, resultando en graves lesiones.

Instrucciones y Precauciones de Seguridad Adicionales: **ADVERTENCIA:** Descargas Eléctricas

La entrada en contacto con la fuente de energía podría ocasionar descargas eléctricas o quemaduras, resultando en la muerte o graves lesiones.

- Nunca rocíe en una fuente de energía eléctrica ni cerca de ella, incluido el propio producto.

 **ADVERTENCIA:** Quemaduras Químicas

Los productos químicos podrían provocar quemaduras, resultando en la muerte o graves lesiones.

- NO utilice líquido cáustico con la lavadora a presión.
- SÓLO aplique detergentes / jabones seguros para la lavadora a presión. Siga todas las instrucciones del fabricante.

AVISO: Para más información sobre las piezas enumeradas en las siguientes páginas, consulte:

- LISTA Y DIAGRAMA DE PIEZAS en la página 20.

AVISO: El rociado de alta presión podría dañar los artículos frágiles, incluido el vidrio.

- NO apunte la pistola rociadora hacia el vidrio mientras utiliza la boquilla roja (0°).
- NUNCA dirija la pistola rociadora a plantas.

AVISO: Un tratamiento inadecuado de la lavadora a presión podría dañarla y acortar su vida útil. Si tiene alguna pregunta sobre su uso previsto, póngase en contacto con nuestro centro de servicio al 1-855-888-3598.

- NUNCA opere unidades con piezas rotas o faltantes, o sin carcasas o cubiertas protectoras.
- NO ignore ningún dispositivo de seguridad en esta máquina.
- NO opere la lavadora a presión por encima de la presión nominal.
- NO modifique la lavadora a presión de ninguna manera.
- Antes de arrancar la lavadora a presión en clima frío, verifique todas sus piezas para asegurarse de que no se haya formado hielo.
- NUNCA mueva la máquina tirando de las mangueras. Aplique el mango provisto en la unidad.
- Este equipo está diseñado para su uso con piezas autorizadas por A-iPower, SOLAMENTE. Si el equipo se utiliza con piezas NO conforme a las especificaciones mínimas, todos los riesgos y responsabilidades correrán por cuenta del usuario.



ADVERTENCIA: Peligro de Piezas Móviles



El motor y otras piezas giratorias podrían enredar las manos, el cabello, la ropa o los accesorios, resultando en graves lesiones.

- NUNCA opere la lavadora a presión sin carcasas o cubiertas protectoras.
- NO use ropa holgada, joyas ni otros artículos que podrían quedar atrapados en el motor o en otras piezas giratorias.
- Ate el cabello largo y quítese las joyas.



ADVERTENCIA: Peligro de Contragolpe



Firmemente agarre la pistola rociadora con ambas manos al utilizar el rociado de alta presión, a fin de evitar lesiones en caso de contragolpe de la pistola rociadora.



ADVERTENCIA: Propuesta 65 del Estado de California

Este producto y otras sustancias que pueden ser transportadas por el aire debido a su uso contienen productos químicos incluido el plomo que, conforme al estado de California, producen cáncer, defectos de nacimiento u otros daños reproductivos. Lávese las manos después de manejar el producto.

 **ADVERTENCIA:** Inyección de Fluido



El agua de alta presión que produce este equipo podría atravesar la piel y sus tejidos subyacentes, resultando en graves lesiones y posible amputación.


- La pistola rociadora atrapa la alta presión del agua, incluso cuando el motor está apagado y el agua está desconectada, lo que podría resultar en graves lesiones.
- Si se corta con líquido, llame inmediatamente a un médico. NO lo trate como un corte simple.
- NO deje que los NIÑOS operen la lavadora a presión.
- NUNCA repare la manguera de alta presión. Reemplácela.
- NUNCA aplique sellador de ningún tipo para reparar las conexiones con fugas. Reemplace el anillo tórico o el sello.
- NUNCA conecte la manguera de alta presión a una extensión de boquilla.
- Mantenga la manguera de alta presión conectada a la bomba y a la pistola rociadora mientras el sistema está presurizado.
- Después de cada uso, SIEMPRE apunte la pistola rociadora hacia una dirección segura, desactive el seguro de gatillo y apriete el gatillo de la pistola rociadora para liberar la alta presión.
- NUNCA dirija la pistola rociadora a personas, animales ni plantas.
- NO asegure la pistola rociadora en posición abierta.
- NO deje la pistola rociadora desatendida mientras la máquina está en funcionamiento.
- NUNCA utilice una pistola rociadora sin un seguro de gatillo o un protector de gatillo en su lugar y en condiciones de funcionamiento.
- Siempre esté seguro de que la pistola rociadora, sus boquillas y accesorios están correctamente conectados.

 **ADVERTENCIA:** Peligro de Proyectil



Riesgo de lesiones oculares o corporales. El rociado podría salpicar o propulsar objetos, resultando en graves lesiones.

- Siempre use gafas de seguridad marcadas en cumplimiento de ANSI Z87.1 al utilizar o estar cerca de este equipo.
- Use siempre ropa protectora como una camisa de manga larga, pantalones largos y zapatos cerrados.
- NUNCA opere la lavadora a presión cuando esté descalzo o con sandalias.

 **ADVERTENCIA:** Peligro de Resbalón o Caída



El uso de la lavadora a presión podría crear superficies deslizantes que ocasionarían una caída, resultando en la muerte o graves lesiones.

- El contragolpe de la pistola rociadora podría provocar una caída, resultando en la muerte o graves lesiones.
- Opere la lavadora a presión desde una superficie estable.
- Debe haber pendientes y drenaje adecuados en el área de limpieza para reducir la posibilidad de caídas debido a superficies resbaladizas.
- Sea muy cuidadoso si debe utilizar la lavadora a presión desde una escalera, andamio o cualquier otro lugar similar.
- Firmemente agarre la pistola rociadora con ambas manos al utilizar el rociado de alta presión, a fin de evitar lesiones en caso de contragolpe de la pistola rociadora.

⚠ PRECAUCIÓN: Leer el Manual

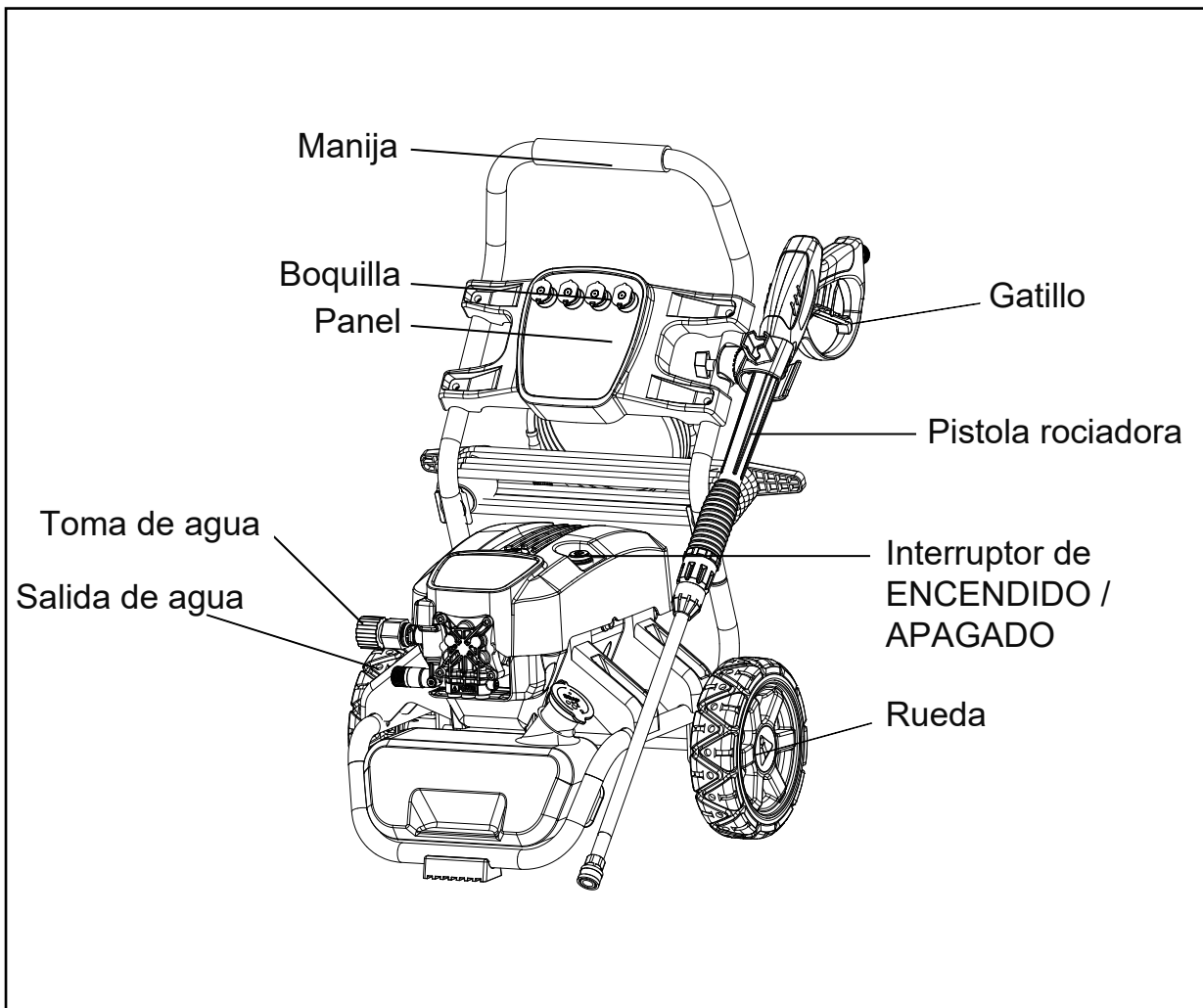


Lea la sección SEGURIDAD entera al comienzo de este manual, incluido todo el texto bajo los subtítulos antes de preparar o utilizar el producto.

⚠ ADVERTENCIA:

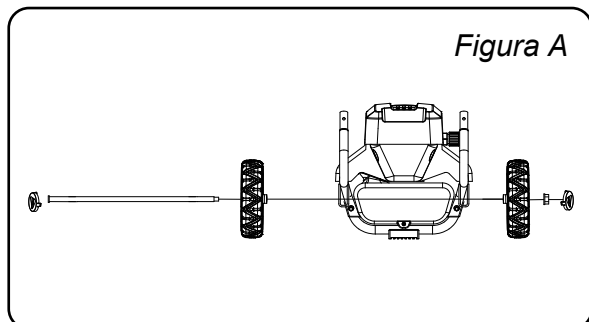
- Si hay piezas dañadas o faltantes, no opere el producto hasta que dichas piezas hayan sido reemplazadas. El uso del producto con piezas dañadas o faltantes podría resultar en graves lesiones personales.
- No intente modificar el producto ni crear accesorios no recomendados para su uso con el producto. Tal alteración o modificación constituye un uso indebido, que podría resultar en condiciones peligrosas y, como consecuencia, posibles lesiones personales graves.

Conocer su Lavadora a presión

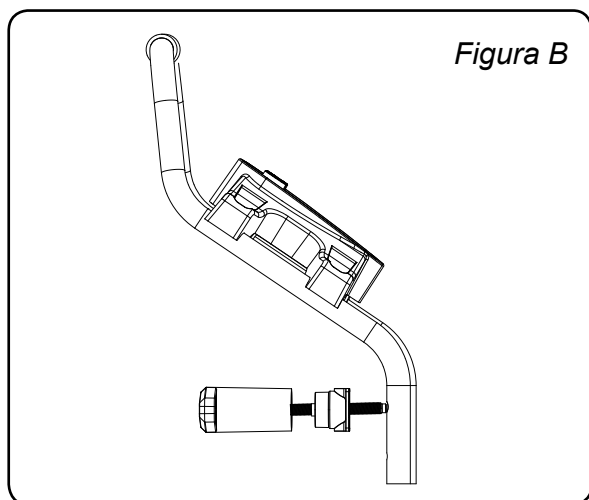


MONTAJE:

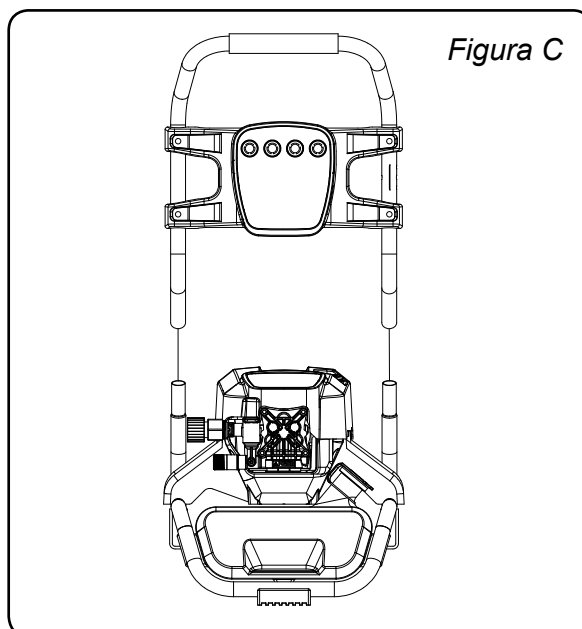
1. Inserte el eje sucesivamente a través del conjunto de marco, ruedas, juntas y tuercas, luego apriete la tuerca para fijarlos con una llave. Figura A.



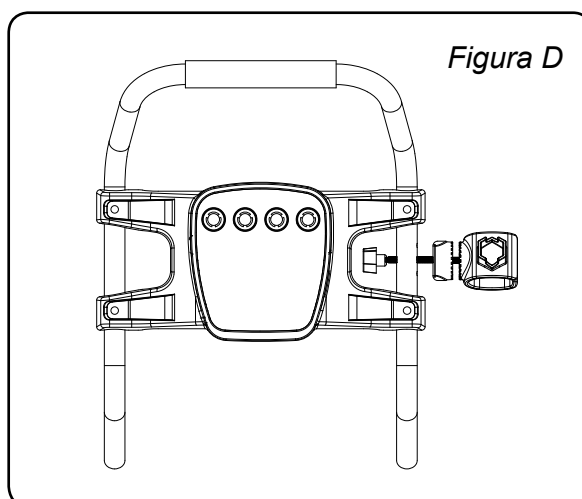
2. Fije el conjunto de rollo de cable al conjunto de tubo del mango con una llave Allen para apretar la tuerca hexagonal. Consulte la Figura B.



3. Inserte el conjunto de tubo del mango en el conjunto de marco para unirlos. Consulte la Figura C.

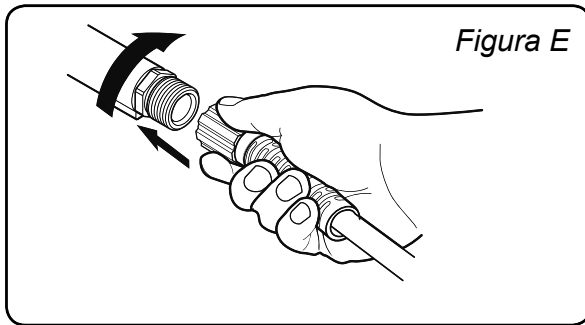


4. Fije el conjunto de portapistolas al conjunto de tubo del mango apretando manualmente la tuerca de mariposa. Consulte la Figura D.

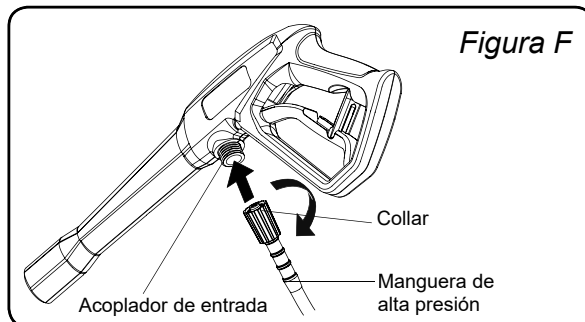


MONTAJE:

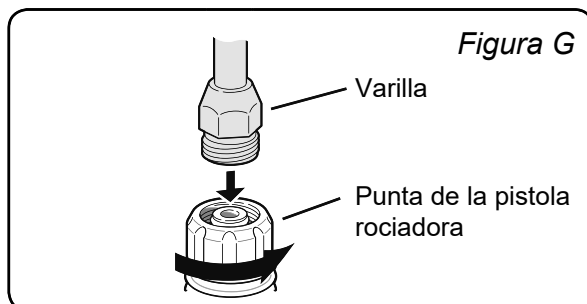
5. Conecte la Manguera de Alta Presión al accesorio de salida de la Bomba y apriete la tuerca firmemente a mano, NO utilice ninguna herramienta para apretar en los pasos 3, 4, 5. Consulte la Figura E.



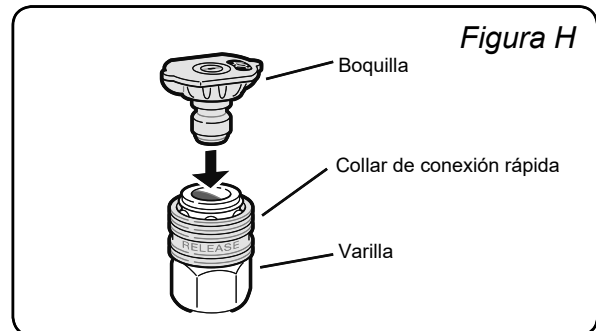
6. Conecte la Manguera de Presión al mango de la Pistola Rociadora y apriete la tuerca firmemente a mano. Consulte la Figura F.



7. Inserte la Varilla en la punta de la Pistola Rociadora y apriete la tuerca firmemente a mano. Consulte la Figura G.

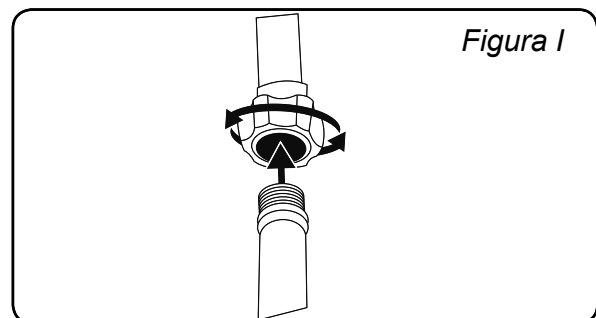


8. Conecte la Boquilla a la Varilla tirando hacia atrás del collar de conexión rápida y empujando la Boquilla sobre el extremo de la Varilla. Asegúrese de que el collar de conexión rápida bloquee la Boquilla en su lugar. Consulte la Figura H.



9. Conecte la manguera de suministro de agua a la conexión de entrada de agua de la unidad y apriete el Accesorio de Entrada firmemente a mano. Consulte la Figura I.

La fuente de agua debe ser capaz de suministrar un mínimo de 3 galones de agua limpia y fría por minuto a 20PSI. Sólo adopte una manguera con un diámetro interno de 5/8" o mayor que está clasificada para cumplir con esta capacidad.



Información General:

Agua	Sólo utilice agua fría. No opere la lavadora a presión con el filtro de pantalla de entrada de agua obstruido o faltante. No opere la lavadora a presión sin un suministro de agua adecuado.
Ajuste de Presión	El ajuste de presión está preestablecido en fábrica.
Bomba de Alta Presión	La bomba de alta presión no contiene piezas reparables.No intente reparar ni revisar la bomba, ya que puede dañarla y anular su garantía. Si considera necesario revisar la bomba, llame a nuestro departamento de servicio al cliente al 1-855-888-3598. No deje que el agua se congele en la bomba.Si el producto está almacenado en un área donde la temperatura estará por debajo de 32° F, 0°C, asegúrese de retirar toda el agua de la bomba o que un producto de protección de bombas adecuado haya sido utilizado.Si no protege la bomba de las bajas temperaturas, provocará daños y posiblemente anulará su garantía.
Manguera de Alta Presión	Tenga en cuenta la manguera y su ubicación al utilizar el producto.No deje que la manguera se enrede ni se retuerza, ya que esto puede dañarla.NO intente mover la unidad tirando de la manguera de alta presión.
Jabones / Productos Químicos	Sólo adopte jabones y detergentes químicos diseñados para su uso en lavadora a presión.Siempre siga las instrucciones del fabricante del detergente en su recipiente.NO utilice blanqueadores, ácidos, materiales inflamables ni solventes industriales.
Boquilla	Siempre mantenga las boquillas limpias y sin obstrucciones.Utilice la aguja para boquilla para limpiarlas si están obstruidas.
Almacenamiento / Acondicionamiento para el Invierno	La lavadora a presión está dotada de lugares donde puede almacenar sus accesorios, como se muestra en el diagrama en la página 9. <ul style="list-style-type: none"> • Coloque la pistola rociadora en el portapistolas. • Coloque las boquillas en el panel adecuado. • Enrolle la manguera de presión y cuélguela en un colgador o en un carrete si está incluido.Cubra la lavadora a presión y almacénela en un lugar fresco y seco fuera del alcance de los niños.No la almacene al aire libre ni en un área expuesta a la lluvia o a la nieve.



PRECAUCIÓN: Ubicación de Almacenamiento en Frío

- Si el producto estará expuesto a una temperatura por debajo de 32° F / 0° C, es necesario adoptar un producto de protección de bombas (no incluido).Utilice el producto de protección de bombas acorde a las instrucciones del fabricante del producto de protección de bombas.
- Si no prepara la bomba para su exposición a bajas temperaturas,provocará daños a la bomba y anulará su garantía.



PRECAUCIÓN: Leer el Manual



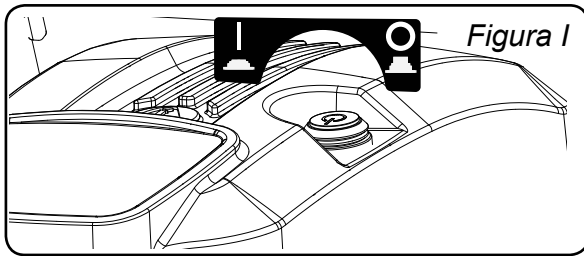
Lea las secciones SEGURIDAD y PREPARACIÓN enteras al comienzo de este manual, incluido todo el texto bajo los subtítulos antes de operar el producto. Un uso o tratamiento inadecuado de la Lavadora a presión puede dañar los componentes internos y acortar la vida útil de la unidad. De no observar esta advertencia se anulará la garantía.

Comprobaciones Previas al Arranque

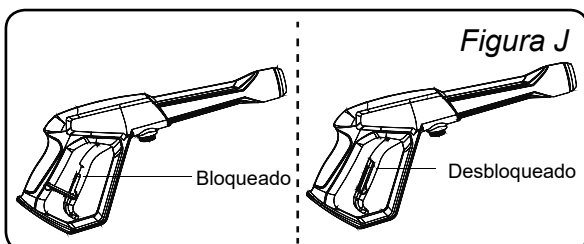
Antes de cada uso, inspeccione el producto para ver si existen piezas dañadas, sueltas o faltantes antes de su preparación y encendido. Si encuentra algún problema, no utilice el producto hasta que se haya corregido adecuadamente. Llame a nuestro servicio al cliente al 1-855-888-3598.

Arrancar y Apagar su Lavadora a presión

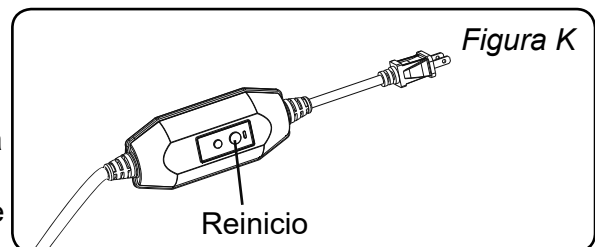
En la parte delantera del producto está el interruptor PRINCIPAL de ENCENDIDO / APAGADO (consulte la Figura I). Este interruptor funciona junto con el interruptor AUTOMÁTICO de ENCENDIDO / APAGADO incorporado en el producto. El interruptor AUTOMÁTICO se enciende y se apaga cuando se aprieta y / o se libera el gatillo de la pistola. Por esto, el sistema puede tener presión, incluso cuando el motor no está en funcionamiento. Siempre tenga precaución cuando esté alrededor de la lavadora a presión.



A. Asegúrese de que la manguera de jardín esté conectada adecuadamente, que el agua esté abierta, y que no haya retorcimientos en la manguera de jardín. No haga funcionar el producto sin el agua conectada y abierta. Si no lo hace, puede sobrecalentar la bomba y provocar daños. Apriete y mantenga apretado el gatillo para liberar el aire atrapado en la manguera y en la bomba. Mantenga el gatillo apretado hasta que una corriente constante de agua limpia salga del extremo de la varilla. Es mejor no tener una boquilla insertada al hacer este paso. Active el seguro de gatillo de la pistola antes de proceder con el siguiente paso (consulte la Figura J)



B. Conecte el enchufe de GFCI a un receptáculo adecuadamente puesto a tierra. Tenga en cuenta otros aparatos eléctricos que pueden funcionar en el mismo circuito derivado que la lavadora a presión. Si el circuito no está clasificado con suficiente amperaje para alimentar todo lo que está en ello, el disyuntor en su hogar puede dispararse mientras se enciende la lavadora a presión. En dicho caso, determine qué otros están en el circuito y retírelos al utilizar la lavadora a presión. Reinicie el disyuntor en su hogar y pulse el botón REINICIO en el enchufe de GFCI para asegurarse de que la energía eléctrica se suministre a la lavadora a presión (consulte la Figura K).





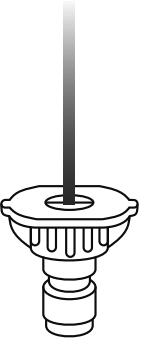
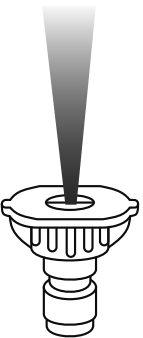
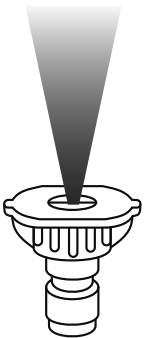
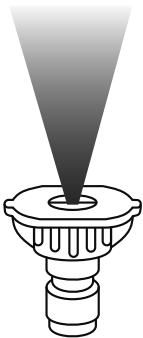



C. Coloque el interruptor PRINCIPAL de ENCENDIDO / APAGADO en la posición ENCENDIDO. El motor funcionará durante unos segundos a medida que aumenta la presión, luego el interruptor AUTOMÁTICO apagará el motor. Esto es el procedimiento operativo normal.

1. Seleccionar Boquillas Adecuadas para sus Tareas

Su producto es provisto con una selección de puntas de boquilla de conexión rápida. Las boquillas están dimensionadas específicamente para suministrarle la máxima presión en todo momento. Cada boquilla está marcada y clasificada en grados de abanico. También están codificadas por colores (consulte la siguiente tabla). Cuanto mayor sea el número de grado de abanico, más ancha será la forma de abanico. Cuanto más estrecho sea el abanico de rociado, mayor impacto habrá en la superficie, lo que es adecuado para tareas de limpieza difíciles. Cuanto más ancho sea el abanico de rociado, más extendido será el impacto en la superficie, por lo que es adecuado para tareas fáciles o superficies blandas. Necesita experimentar un poco hasta encontrar la boquilla correcta para la tarea presente. Siempre comience con el mayor grado de abanico y continúe con un grado menor hasta lograr los mejores resultados de la tarea. Siempre pruebe la boquilla en un área apenas visible.

AVISO: No todos los modelos vienen con todas las boquillas que se describen en esta sección. Sólo utilice la información sobre las boquillas provistas con su producto.

					ALTA PRESIÓN, SIN INYECCIÓN DE JABÓN				JABÓN
					0° ROJO	15° AMARILLO	25° VERDE	40° BLANCO	65° NEGRO
0°	✓								
15°	✓	✓							
25°	✓	✓	✓						
40°	✓	✓	✓	✓					
65°	✓	✓	✓	✓					

AGRESIVO
SUAVE

Boquilla de 0° - Rojo: Esta boquilla libera un chorro preciso de agua presurizada y extremadamente potente. Úselo para los trabajos de limpieza más difíciles, aunque sólo cubra un área reducida. Esta boquilla sólo debe usarse sobre superficies que puedan soportar una presión alta e intensa, como el metal o el hormigón. No utilice esta boquilla para limpiar materiales como madera o superficies blandas.

15° Boquilla - Amarillo: Esta boquilla proporciona un patrón de rociado de 15 grados para una limpieza y remoción de alta resistencia. Sólo debe aplicarse en superficies que puedan soportar la presión de esta boquilla.

Boquilla 25° - Verde: Esta boquilla libera un patrón de rociado de 25 grados para trabajos comunes. Sólo debe aplicarse en superficies que puedan soportar la presión de esta boquilla.

Boquilla de 40° - Blanco: Esta boquilla libera un patrón de rociado de 40 grados para superficies fácilmente dañadas. Sólo debe aplicarse en superficies que puedan soportar la presión de esta boquilla.

Boquilla química de 65° - Negro: Esta boquilla se utiliza para aplicar productos químicos especiales y soluciones de limpieza. Esta boquilla produce el flujo de presión más débil de todas las boquillas.

! ADVERTENCIA: Protección Ocular / Peligro de Inyección de Fluido



SIEMPRE use gafas protectoras aprobadas al operar Lavadora a presión. El rociado puede salpicar o propulsar objetos, incluidos los accesorios incorrectamente conectados. La corriente de agua de alta presión que produce este equipo puede atravesar la piel y sus tejidos subyacentes, resultando en una posible amputación. La pistola rociadora atrapa la alta presión del agua, incluso cuando el motor está apagado y la fuente de agua está desconectada, lo que puede provocar lesiones.

- No dirija el rociado de la Lavadora a presión ni a personas ni a animales.
- Mantenga a los niños y mascotas lejos del área de trabajo.
- Mantenga el área de trabajo sin piedras sueltas, vidrios escombros.
- El chorro de agua a alta presión podría causar lesiones graves.

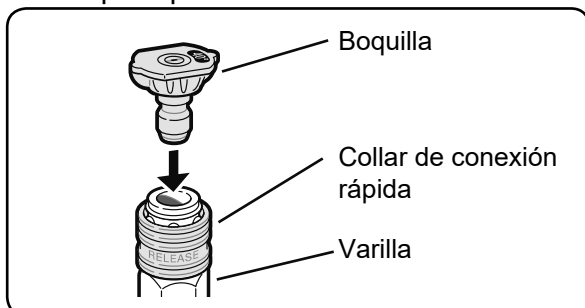
2. Conectar la Boquilla a la Varilla Rociadora

! ADVERTENCIA:

- Nunca coloque las manos delante de la boquilla ni apunte la boquilla a su cara.
- Nunca intente limpiar una boquilla obstruida si está conectada a la varilla.
- Nunca intente conectarni retirar la varilla rociadora o los accesorios de manguera mientras el sistema de Lavadora a presión está presurizado.
- Apague la Lavadora a presión. Mientras apunte el rociado hacia una dirección segura, libere la presión apretando el gatillo. Luego bloquee el Gatillo de la Pistola antes de intentar cambiar de boquilla de presión.

2.1 Para conectarlas, tire hacia atrás del collar de conexión rápida, luego inserte la boquilla en la varilla rociadora de desconexión rápida hembra y presiónela para bloquearla en su lugar. Asegúrese de que el collar encaje en su lugar.

2.2 Para desconectarlas, tire hacia atrás del collar de conexión rápida y tire de la boquilla para retirarla.



3. Utilizar la Pistola Rociadora

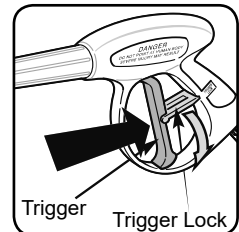
! ADVERTENCIA

- Para evitar descarga accidental de la lavadora a presión, el seguro de gatillo debe estar activado cuando la lavadora a presión no esté en uso.
- Para desactivar el Seguro de Gatillo, empuje el seguro hacia abajo a su posición original.

Para Operar el Gatillo:

3.1 Apriete el gatillo para iniciar el flujo de agua a través de la boquilla.

3.2 Libere el gatillo para detener el flujo de agua.



4. Para Lavar / Limpiar

- 4.1 Firmemente agarre la pistola rociadora con ambas manos.
- 4.2 Comience con una Boquilla de alto grado de abanico y gradualmente utilice un grado menor para que la boquilla cumpla con la tarea.
- 4.3 Apunte la boquilla hacia una dirección segura y apriete el gatillo de la pistola rociadora para que la bomba purgue el aire e impurezas en el sistema, luego redirija la boquilla a la superficie de trabajo.
- 4.4 Limpie superficies verticales e inclinadas de arriba abajo.

- 4.5 Al limpiar superficies horizontales, ocasionalmente utilice la corriente para despejar el área del exceso de agua.
- 4.6 Para lograr una limpieza más efectiva, mantenga la boquilla rociadora a una distancia de 8 a 24 pulg. de la superficie que se está limpiando. Si acerca demasiado la boquilla rociadora, puede dañar la superficie. No se recomienda acercarla más de 6 pulg. al limpiar neumáticos.

5. Ajuste de Presión

- 5.1 Variar su distancia: Para cambiar el efecto de la presión sobre la superficie que se está limpiando, varíe la distancia entre la boquilla rociadora y la misma superficie. Cuanto más se acerque a la superficie, mayor será el efecto de la presión. A medida que se aleja de la superficie, se reducirá el efecto de la presión. Para lograr una limpieza más efectiva, mantenga la boquilla a una distancia de 8 a 24 pulg. de la superficie que se está limpiando.

6. Utilizar Productos Químicos

AVISO: Sólo utilice jabones y productos químicos diseñados para su uso en lavadora a presión. **NO ADOPTÉ BLANQUEADORES CON CLORO, ÁCIDOS NI SOLVENTES INDUSTRIALES.**

Los productos químicos, jabones y solventes de limpieza no se extraerán con sifón cuando se aplica una boquilla de alta presión. Al rociar detergentes, utilice la Boquilla Negra (baja presión), solamente. Llene el Tanque de Detergente (si está equipado) con la solución de detergente preparada y cierre la tapa. La Lavadora a presión extraerá 1 galón de detergente por cada 7 galones de agua.

- 6.1 Si su Lavadora a presión dispone de un tanque de jabón a bordo:
 - a. Llene el tanque de jabón con detergente y cierre la tapa.
 - b. Cambie la boquilla de la varilla a Boquilla Negra.
 - c. Arranque el motor y rocíe con jabón.

7. Para Enjuagar

- 7.1 Reemplace la boquilla con una boquilla de alta presión apropiada (consulte "Seleccionar Boquillas Adecuadas" en la página 14). Apriete el gatillo y espere a que se vacíe el detergente.
- 7.2 Mantenga la pistola rociadora a una distancia segura del área a rociar.
- 7.3 Aplique un rociado de alta presión a un área pequeña, luego verifique si se daña la superficie. Si no se encuentra ningún daño, está bien continuar con la limpieza.
- 7.4 Para una superficie vertical, comience desde la parte superior del área a enjuagar, trabajando hacia abajo con los mismos trazos repetitivos que ha utilizado para lavar y aplicar detergente.

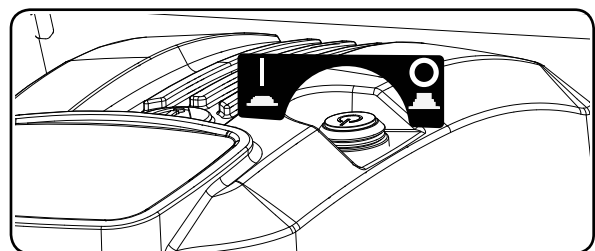
8. Consejos de Limpieza

AVISO: Nunca utilice la entrada de la manguera de jardín de la Lavadora a presión para extraer detergente o cera con sifón. La bomba de presión podría dañarse si deja productos químicos y soluciones de limpieza dentro de ella. Los daños producidos por dejar jabones, productos químicos y soluciones de limpieza dentro de la bomba pueden anular la garantía.

9. Detener la Lavadora a presión

Para detener el producto en caso de emergencia, coloque el interruptor PRINCIPAL de ENCENDIDO / APAGADO en la posición APAGADO. Bajo condiciones normales, realice el siguiente procedimiento:

- 9.1 Libere el Gatillo en el mango de la Pistola Rociadora.
- 9.2 Apague el Interruptor PRINCIPAL.
- 9.3 Cierre el suministro de agua.
- 9.4 Desenchufe el cable de GFCI.



AVISO: El mantenimiento periódico mejorará el rendimiento y alargará la vida útil de su Lavadora a presión. El servicio debe efectuarse por una persona o un técnico calificado.

La garantía de la Lavadora a presión no abarca los artículos que hayan sido sometidos a abuso o negligencia por parte del operador. Sólo con el mantenimiento de la Lavadora a presión conforme a las instrucciones en este manual, se respetará el valor total de la garantía.

Mantenimiento de la Bomba

AVISO: La bomba de presión no requiere mantenimiento. Si se observa algún signo de fugas de aceite dentro y alrededor de la bomba, NO opere la lavadora a presión. Llame a nuestro servicio al cliente al 1-855-888-3598.

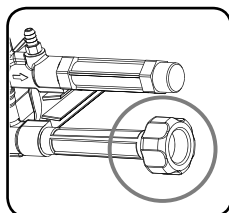
Limpiar la Boquilla:

De vez en cuando, la varilla rociadora puede obstruirse con materiales extraños como suciedad. En dicho caso, una presión excesiva puede acumularse. Cuando la boquilla de presión quede especialmente obstruida, habrá vibraciones de presión en la bomba. Debe limpiarse de inmediato.

1. Asegúrese de que la Lavadora a presión esté apagada y que la pistola rociadora esté bloqueada.
2. Retire la boquilla rociadora de alta presión de la varilla rociadora. Con la aguja de limpieza para boquillas (provista), elimine todas las obstrucciones insertando y moviendo cuidadosamente la aguja de un lado a otro a través del orificio de la boquilla bajo una corriente de agua limpia.
3. Finalizada la limpieza, retire la aguja de la boquilla y almacénela para su uso posterior.
4. Vuelva a montar la boquilla de presión en la varilla rociadora.

Limpiar el Filtro de Pantalla de Entrada de Agua:

En la entrada de agua de la bomba está un filtro de pantalla que debe verificarse periódicamente y limpiarse en caso necesario.



- Desconecte la manguera de entrada de agua.
- Retire el filtro agarrando su extremo y tírelo directamente hacia fuera.
- Limpie el filtro de pantalla enjuagando los dos lados con agua.
- Vuelva a insertar el filtro de pantalla en el puerto de entrada de agua.

AVISO: No opere la Lavadora a presión sin el filtro de pantalla de entrada de agua en su lugar. La entrada de impurezas en la bomba de presión puede provocar daños internos.

Limpiar la Lavadora a presión

Las inspecciones diarias o previas a cada uso deben incluir áreas alrededor y por debajo de la Lavadora a presión para detectar signos de fugas de agua o aceite. El mantenimiento preventivo debe llevarse a cabo si se encuentran fugas. Inspeccione las ranuras y aberturas de aire refrigerante en la carcasa de la Lavadora a presión. Las aberturas deben mantenerse limpias y sin obstrucciones para el mejor rendimiento de la Lavadora a presión.

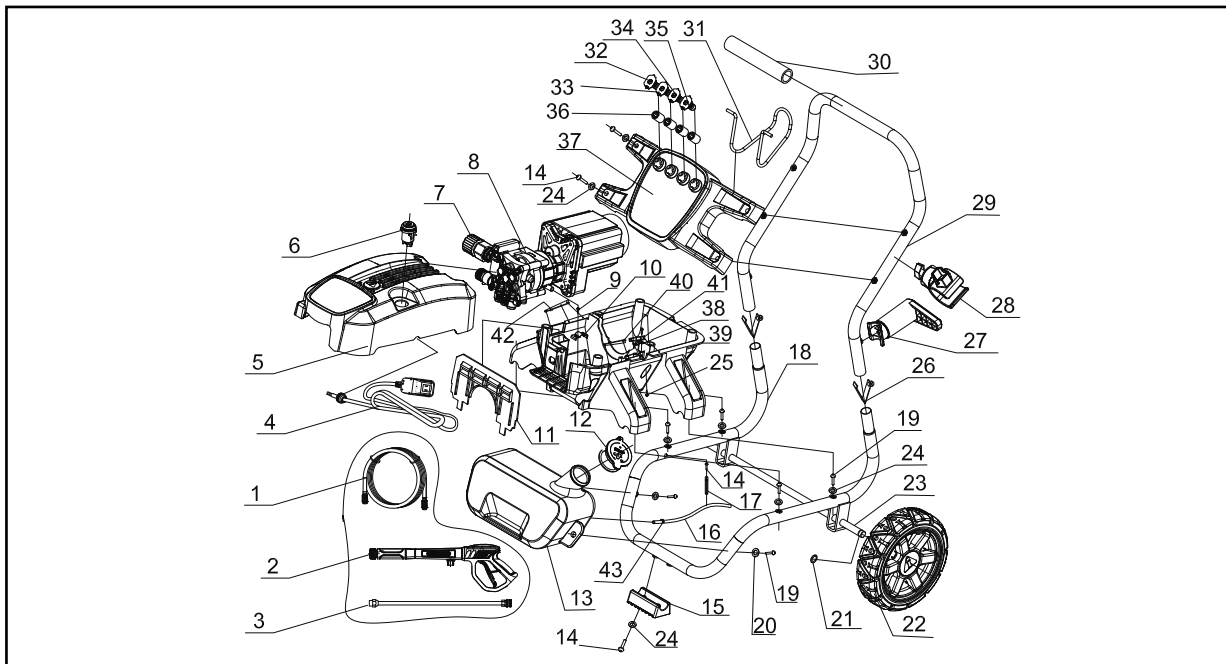
- Limpie bien las superficies exteriores con un paño húmedo.
- Utilice un cepillo de cerdas blandas para aflojar la suciedad endurecida.
- Recoja toda la suciedad y escombros sueltos utilizando una aspiradora de taller.

RESOLUCIÓN DE PROBLEMAS

PROBLEMA	POSIBLE CAUSA	POSIBLE SOLUCIÓN
El motor no arrancará.	El interruptor de ENCENDIDO / APAGADO está en la posición "APAGADO" (O).	Coloque el interruptor en la posición "ENCENDIDO" (I).
	El cable de alimentación no está enchufado.	Enchufe el cable de alimentación.
	El tomacorriente no suministra la energía eléctrica adecuada.	Pruebe con otro tomacorriente.
	El disyuntor de la lavadora a presión está disparado.	Deje que se refrigere y reinicie la unidad.
	El interruptor de alimentación está ENCENDIDO pero el gatillo de la pistola no está apretado.	Con el interruptor de alimentación ENCENDIDO, apriete el gatillo de la pistola para activar el interruptor AUTOMÁTICO de ENCENDIDO / APAGADO.
La unidad no alcanza alta presión.	La manguera de jardín tiene un diámetro demasiado pequeño.	Reemplácela con otra manguera de jardín de 1" (25 mm) o 5/8" (16 mm) de diámetro.
	El suministro de agua está limitado.	Verifique la manguera de jardín para detectar retorcimientos, fugas y obstrucciones.
	No hay suficiente suministro de agua.	Abra la fuente de agua por completo.
	La Punta de Presión aún no está instalada en el conjunto de varilla.	Instale la punta de presión deseada en el extremo de la varilla.
	El filtro de entrada de agua está obstruido.	Retire el filtro y enjuáguelo con agua limpia.
La presión de salida varía de alta a baja.	No hay suficiente suministro de agua de entrada.	Abra el agua por completo. Verifique la manguera de jardín para detectar retorcimientos, fugas y obstrucciones.
	La bomba está succionando aire.	Verifique que todas las mangueras y accesorios están apretados. APAGUE el producto y purgue el aire de la bomba apretando el gatillo hasta que una corriente constante de agua limpia salga de la punta rociadora.
	El filtro de entrada de agua está obstruido.	Retire el filtro y enjuáguelo con agua limpia.
	El voltaje de alimentación está por debajo del valor mínimo.	Verifique que sólo la lavadora a presión está funcionando en este circuito.

Continuación de la resolución de problemas

PROBLEMA	POSIBLE CAUSA	POSIBLE SOLUCIÓN
El motor emite un zumbido pero no puede funcionar.	El voltaje de alimentación está por debajo del valor mínimo.	Verifique que sólo la lavadora a presión está funcionando en este circuito.
	Hay presión residual en el sistema.	“APAGUE” la unidad, apriete el gatillo en la varilla rociadora para liberar la presión, luego “ENCIENDA” la unidad.
	Existe una caída de voltaje debido al cable de extensión.	Desenchufe todos los cables de extensión conectados y enchufe la unidad directamente al tomacorriente.
	La lavadora a presión no está en uso durante mucho tiempo	Llame al servicio al cliente.
	Hay fricción residual entre los componentes. La unidad podría emitir zumbidos.	Desconecte el suministro de agua y ÁBRALO durante 2 a 3 segundos, repita algunas veces o hasta que el motor arranque.
No hay agua.	El suministro de agua está CERRADO.	ABRA el suministro de agua.
	La manguera de jardín está retorcida.	Elimine los retorcimientos en la manguera de jardín.
No hay detergente.	La manguera del inyector de jabón no está adecuadamente sumergida en el detergente.	Asegúrese de que la manguera esté sumergida apropiadamente.
Hay fugas en la varilla.	El anillo tórico está dañado.	Reemplace el anillo tórico. Si esto no resuelve el problema, llame gratuitamente a nuestro departamento de servicio al cliente al 1-855-888-3598.



Pieza	Descripción	CANT.
1	Manguera de Alta Presión	1
2	Pistola	1
3	Varilla	1
4	Conjunto de arnés de cables	1
5	Conjunto de carcasa superior	1
6	Interruptor	1
7	Tuerca de unión de entrada	1
8	Conjunto de motobomba	1
9	Tornillo roscador de cabeza plana en cruz	8
10	Clip del cabezal de bomba	2
11	Deflector	1
12	Tapa del tanque de jabón	1
13	Tanque de jabón	1
14	Perno de cabeza hueca hexagonal	7
15	Soporte amortiguador	1
16	Tubo de sifón	0.5
17	Clip del arnés metálico	1
18	Conjunto de marco	1
19	Perno de cabeza hueca hexagonal	6
20	Arandela plana	2
21	Anillo de ajuste para eje	2
22	Conjunto de ruedas	2

Pieza	Descripción	CANT.
23	Eje	1
24	Arandela plana	8
25	Tornillo roscador de cabeza plana en cruz	6
26	Clip en V	2
27	Conjunto de rollo de cable	2
28	Conjunto de portapistolas	1
29	Conjunto de tubo del mango	1
30	Manguito de caucho del mango	1
31	Gancho para manguera	1
32	Boquilla	1
33	Boquilla	1
34	Boquilla	1
35	Boquilla	1
36	Asiento de fijación de la boquilla	4
37	Panel de boquillas	2
38	Clip de fijación de la fuente de alimentación	2
39	Conjunto de placa base	1
40	Costilla de plástico	1
41	Costilla de plástico	1
42	Costilla de plástico	1
43	Abrazadera	2

PARA CONSULTA TÉCNICAS, LLAME AL NÚMERO 1-855-888-3598

**GARANTÍA LIMITADA
CONSERVE SU RECIBO.**

Se necesitará un comprobante de compra para justificar cualquier reclamo de garantía.

QUÉ ESTÁ CUBIERTO:

A-iPower Corp. garantiza al comprador minorista original en los Estados Unidos de América o en Canadá que este producto está libre de defectos en materiales y mano de obra y acepta, en la dirección de A-iPower Corp, reparar, proporcionar piezas de recambio para, o reemplazar (sin cargo alguno por las piezas o la mano de obra) cualquier producto o componente con un defecto material durante un período de 2 años desde la fecha de compra, excepto cuando sea limitado en los siguientes casos. El servicio de garantía y las piezas de recambio están garantizados únicamente por la duración de la garantía del producto original. Todas las piezas o productos reemplazados se convertirán en propiedad de A-iPower Corp. Este producto también está cubierto por una Garantía del Sistema de Control de Emisiones, en forma separada y adicional a la garantía.

Garantí

Garantía Limitada de A-iPower – Residencial de 2 Años y Comercial de 1 Año La garantía Residencial de 2 años se aplica como sigue: Piezas y Mano de Obra del primer año / SÓLO Piezas del segundo año Gracias por elegir los productos de A-iPower. Para asegurar el registro adecuado de la garantía de su producto, presente el registro de garantía junto con el comprobante de compra dentro de los 10 días siguientes a la fecha de compra, esto se puede hacer de la siguiente manera:

- A. Completar el formulario de Registro de Garantía al final de este manual y enviarlo por correo a:
A-IPOWER CORP 10887 COMMERCE
WAY UNIT A FONTANA CA 92337 EE.UU.
- B. Visítanos en www.a-ipower.com y hacer clic en el icono de registro del producto.

Plazo de Garantí

A-iPower proporcionará al comprador original una garantía para cualquiera de sus productos comprados a través de cualquier distribuidor autorizado de A-iPower en América del Norte y estará garantizado contra defectos en materiales y mano de obra durante un período de dos (2) años para el uso del Consumidor desde la fecha de compra, sujeto a las exclusiones aquí señaladas. Las aplicaciones Comerciales y de Alquiler están garantizadas durante un período de un (1) año desde la fecha de compra.

“Uso del Consumidor” – uso doméstico residencial por parte de un consumidor minorista
“Uso Comercial” – cualquier otro uso – para propósitos comerciales, empresariales, industriales o de alquiler

Cómo Obtener el Servicio de Garantía

Llame a nuestro Departamento de Servicio al Cliente al 855-888-3598 o envíe e-mail a Tenga a mano la información necesaria – Modelo, Número de Serie, Comprobante de Compra.

NO DEVUELVA EL PRODUCTO AL LUGAR DE COMPRA

El Departamento de Servicio al Cliente de A-iPower prestará asistencia con todas las preguntas relacionadas con el producto, ayudará a resolver los problemas y enviará todas las piezas de recambio según sea necesario sin costo mientras que el producto está dentro del período de garantía. Si no se puede resolver el problema, el Departamento de Servicio al Cliente de A-iPower, a su discreción, determinará y autorizará el diagnóstico y reparación a través de uno de sus Centros de Servicio autorizados. A-iPower Corp, a su discreción, puede optar por proporcionar el reemplazo de piezas, componentes o producto. La revisión o reemplazo de piezas en cualquier centro de reparaciones no autorizado sin autorización previa no estará cubierto por esta garantía.

Exclusiones de Garantía

Esta garantía no abarca lo siguiente:

Desgaste y mantenimiento regulares- esta garantía no cubrirá la reparación cuando el uso normal ha agotado la vida útil de una pieza o motor.

Instalación y Mantenimiento- esta garantía no cubre el montaje, alteración o modificación inadecuado o no autorizado, ni ningún otro daño resultante del mal uso o negligencia.

Piezas de mantenimiento normal- esta garantía no cubre las bujías, filtros de aire, ajustes u otro servicio relacionado debido a obstrucciones y otras acumulaciones resultantes del mantenimiento inadecuado.

Exclusiones adicionales- esta garantía no cubre las piezas consumibles como filtros, bujías, anillos tóricos, baterías, etc. No cubre ningún defecto cosmético como arañazos en la pintura, calcomanías, etc. No cubre ningún daño resultante del uso de piezas que no sean del fabricante original o del uso de piezas de postventa. No cubre ninguna falla debida a actos de Dios y otros eventos de fuerza mayor fuera del control del fabricante.

Límites de Garantía e Implicaciones y Daños Consecuentes

A-iPower no está obligada a cubrir ninguna pérdida de tiempo, uso del producto, costo de flete ni ningún otro reclamo incidental o consecuente del uso de este producto. Esta garantía es en lugar de todas las demás garantías, explícitas o implícitas. Esta garantía le otorga derechos legales específicos que varían de estado a estado.

DIRECTRICES DE DEVOLUCIÓN DE MERCANCÍAS

- Todos los productos deben devolverse en su embalaje original o equivalente. No se aceptarán devoluciones embaladas de forma incorrecta.
- Debe haber un embalaje apropiado para el transporte.
- La ley federal requiere que todas las máquinas que consumen gasolina, aceite u otros líquidos inflamables deben drenarse completamente y a fondo antes de su envío.
- Las tapas de gas y los tapones de aceite deben dejarse durante 24 horas previo al envío. Tenga en cuenta que: la responsabilidad por esta violación de la ley reside en el remitente del envío.
- Devuelva los productos a la dirección provista en la autorización de devolución, con el servicio de paquetería requerido. Utilizando el servicio de paquetería requerido. Los productos devueltos sin autorización no serán aceptados.
- Tenga en cuenta que: Nota: no se otorgarán reembolsos por productos que hayan sido modificados o dañados por abuso o uso que no esté en conformidad con las instrucciones del producto.



Fontana, CA 92337 EE.UU.

Teléfono: 1-855-888-3598

support@a-ipower.com

www.a-ipower.com

Hecho en Vietnam



FORMULARIO DE REGISTRO DE LA GARANTÍA A-iPOWER

Registre su producto enviando este formulario a support@a-ipower.com o regístrese en línea en:www.a-ipower.com.

Registrar su producto es importante, ya que proporciona las siguientes protecciones:

1. Tiene registro del producto adquirido.
2. El servicio al cliente hará lo mejor para atender sus problemas relacionados con la garantía
3. Nos pondremos en contacto con usted en el improbable caso de que sea necesaria una notificación.

Información del Cliente:

Nombre: _____
 Teléfono: _____
 Email: _____
 Dirección: _____
 Ciudad, Estado: _____
 Código Postal: _____
 Fecha de compra: _____

Información del Producto:

Número de serie # _____
 de Modelo # _____

El número de serie está ubicado en el motor. Tenga en cuenta: su generador no puede registrarse sin el número de modelo y de serie.

1. EL PRODUCTO FUE COMPRADO PARA: A. limpieza residencial
 B. Otros _____

2. ESTE PRODUCTO ES UN: (seleccione uno)
 A. Compra por primera vez B. Reemplazo

3. CÓMO CONOCIÓ ESTE PRODUCTO POR PRIMERA VEZ: (seleccione uno)
- | | |
|--|---|
| A. <input type="checkbox"/> Radio | G. <input type="checkbox"/> Correo directo |
| B. <input type="checkbox"/> Exhibición en tienda | H. <input type="checkbox"/> De amigos/familiar/vecino |
| C. <input type="checkbox"/> Contratista | I. <input type="checkbox"/> Internet |
| D. <input type="checkbox"/> Feria | J. <input type="checkbox"/> Otros _____ |

4. POR FAVOR CALIFIQUE SU NIVEL DE SATISFACCIÓN SELECCIONADO LOS SIGUIENTES NÚMEROS:

	Completamente satisfecho				Nada satisfecho
	5	4	3	2	1

Valor del producto por el precio pagado	<input type="checkbox"/>	<input type="checkbox"/>	<input type="checkbox"/>	<input type="checkbox"/>	<input type="checkbox"/>
Rendimiento	<input type="checkbox"/>	<input type="checkbox"/>	<input type="checkbox"/>	<input type="checkbox"/>	<input type="checkbox"/>
Características	<input type="checkbox"/>	<input type="checkbox"/>	<input type="checkbox"/>	<input type="checkbox"/>	<input type="checkbox"/>
Apariencia del producto	<input type="checkbox"/>	<input type="checkbox"/>	<input type="checkbox"/>	<input type="checkbox"/>	<input type="checkbox"/>
Garantía	<input type="checkbox"/>	<input type="checkbox"/>	<input type="checkbox"/>	<input type="checkbox"/>	<input type="checkbox"/>
Comodidad de mantenimiento	<input type="checkbox"/>	<input type="checkbox"/>	<input type="checkbox"/>	<input type="checkbox"/>	<input type="checkbox"/>
Nivel de ruido	<input type="checkbox"/>	<input type="checkbox"/>	<input type="checkbox"/>	<input type="checkbox"/>	<input type="checkbox"/>

5. ¿ES POSIBLE RECOMENDAR A-iPOWER A SU FAMILIA O AMIGOS?
- | | | | | | |
|--|--------------------------|--------------------------|--------------------------|--------------------------|----------------------------|
| | Extremadamente probable | | | | No es probable en absoluto |
| | 5 | 4 | 3 | 2 | 1 |
| | <input type="checkbox"/> | <input type="checkbox"/> | <input type="checkbox"/> | <input type="checkbox"/> | <input type="checkbox"/> |

Declaración de privacidad: A-ipower se compromete a respetar su privacidad y a cumplir con las normas sobre la protección de información privada. Los datos de la encuesta que recopilamos son utilizados para fines de marketing o soporte de productos e información demográfica relacionado a los clientes que registran sus productos.



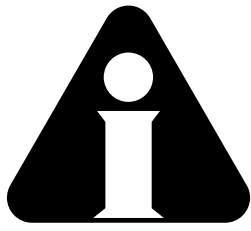
Fontana, CA 92337 EE.UU.

Teléfono: 1-855-888-3598

support@a-ipower.com

www.a-ipower.com

Hecho en Vietnam



POWER™

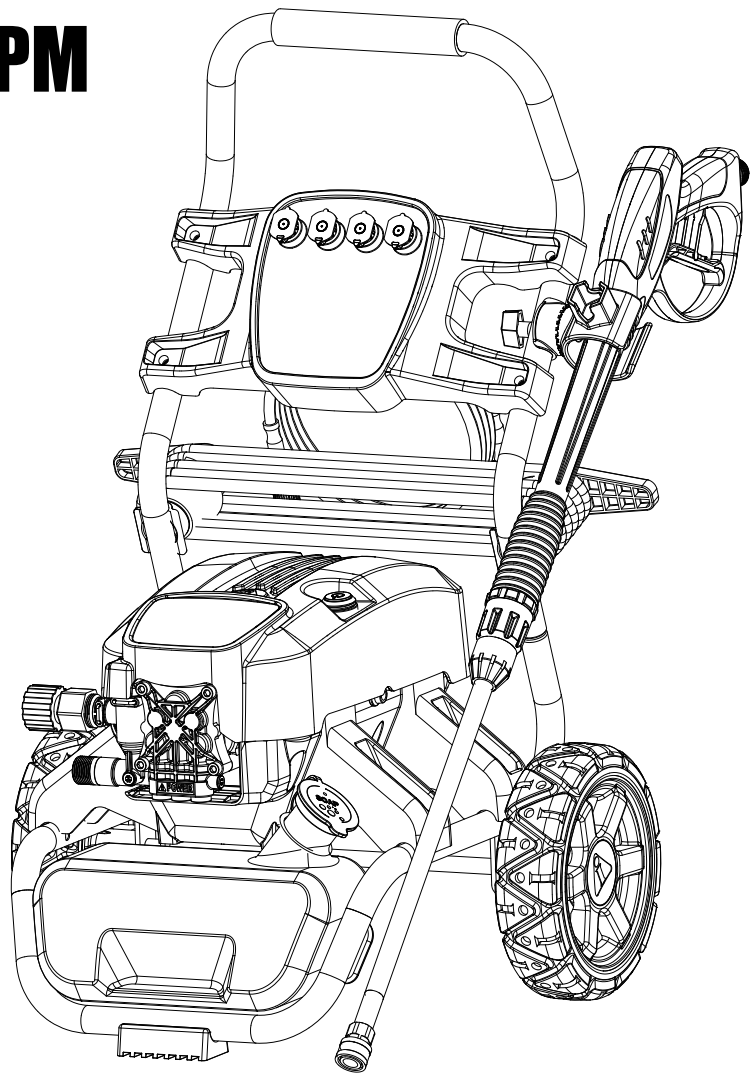


MANUEL DU PROPRIÉTAIRE ET INSTRUCTIONS D'UTILISATION

NETTOYEUR À PRESSION 2000 PSI, 1.2 GPM Modèle: PWE2000

SERVICE CLIENT: 1-855-888-3598

Visitez notre site Web à l'adresse
suivante: www.a-ipower.com
Envoyez un email à notre support
technique à: support@a-ipower.com



A-iPower Corp.
Fontana, CA 92337 USA
www.a-ipower.com



MISE EN GARDE: CONSERVEZ CE MANUEL POUR VOUS Y RÉFÉRER À L'AVENIR



Ce manuel contient des informations importantes concernant la sécurité. Le fonctionnement, l'entretien et le stockage de ce produit. Lire attentivement et comprendre toutes les précautions, les avertissements, les instructions et les étiquettes des produits avant de les utiliser. Le non-respect de cette consigne peut entraîner des blessures graves et/ou des dommages matériels.

Table des matières

SPÉCIFICATIONS DU PRODUIT	1
SÉCURITÉ	
Symboles de sécurité et leur signification.....	2
Instructions et précautions de sécurité.....	3
SETUP	
Connaître votre nettoyeur haute pression.....	9
Ensemble.....	10
Informations générales.....	11
FONCTIONNEMENT	
Vérifications avant le démarrage.....	13
MAINTENANCE	
Nettoyage de la laveuse à pression.....	17
Dépannage.....	18
LISTE ET DIAGRAMME DES PIÈCES	
Schéma d'ensemble général.....	20
Liste générale des pièces.....	20
GARANTIE	
Garantie AiPower.....	21

SPÉCIFICATIONS DU PRODUIT

1

Modèle	PWE2000
Moteur	Universel, 120V - 60Hz, 14.5 Amps
Pression MAX	2000 PSI
Débit MAX	1.2 GPM
Tuyau	1/4 x 25' M22
Baguette	21" x 1/4 Q/C
Choix de la buse	Q/C 0°, 25°, 40°, Savon
Poids brut / net	28.7 lbs. (13 kg) / 24.3 lbs. (11 kg)

PREAVIS: Nous travaillons toujours à l'amélioration de nos produits. Par conséquent, le produit final peut varier des images montrées. A-iPower se réserve le droit de modifier les caractéristiques, les spécifications sans préavis pour des améliorations futures des produits.

Ce manuel d'utilisation a été conçu pour vous instruire sur le fonctionnement correct de votre produit A-I POWER. Votre satisfaction à l'égard de ce produit et de son fonctionnement en toute sécurité est notre ultime préoccupation. Par conséquent, veuillez prendre le temps de lire l'intégralité du manuel, en particulier les symboles et les instructions de sécurité. Ils vous aideront à éviter les dangers potentiels pouvant exister lorsque vous manipuler ce produit. Tous les efforts ont été faits afin de s'assurer que les informations contenues dans ce manuel sont exactes et à jour. Cependant, nous nous réservons le droit de modifier, d'altérer ou d'améliorer le produit et ce document à tout moment et sans préavis.

Symboles de sécurité et avertissements:

⚠ DANGER: indique un danger qui, s'il n'est pas évité, entraînera la mort ou des blessures graves.









⚠ MISE EN GARDE: indique un danger qui, s'il n'est pas évité, pourrait entraîner la mort ou des blessures graves.









⚠ AVERTIR: indique un risque qui, s'il n'est pas évité, pourrait entraîner des blessures légères ou modérées.

PREAVIS: Indique des informations ou aborde des pratiques qui sont importantes, mais qui ne sont pas liées à des blessures corporelles.



Symboles de sécurité et leur signification:

Les symboles suivants apparaîtront dans ce manuel et sur le produit. Pour une utilisation sûre de ce produit, veuillez à les étudier et à en connaître la signification.

	Alerte de sécurité
	Lire le manuel d'utilisation
	Choc électrique
	Protection des yeux
	Surface chaude
	Injection de fluide
	Retour de flamme
	Pièces mobiles

	Alerte aux conditions humides
	Explosion
	Projectile
	Brûlures chimiques
	Risque électrique
	Surface glissante
	Fal
	Feu

Les symboles suivants peuvent apparaître sur le produit. Pour une utilisation sûre de ce produit, veuillez à les étudier et à en connaître la signification.

V	VOLTS	Tension
A	AMPS	Courant
Hz	HERTZ	Fréquence (cycles par seconde)
W	WATTS	Puissance
	ALTERNATIVE	Type de courant
n_0	VITESSE À VIDE	Vitesse de rotation, à vide
	CLASSE II	Construction à double isolation
.../ min	PAR MINUTE	Révolutions par minute

Instructions et précautions importantes en matière de sécurité:

MISE EN GARDE: LIRE ET COMPRENDRE TOUTES LES INSTRUCTIONS DE SÉCURITÉ

- Maintenir la zone de travail à l'écart de toute personne, en particulier des jeunes enfants et des animaux domestiques.
- Éviter les environnements dangereux. Garder la zone de travail bien éclairée. Ne pas exposer le produit à la pluie pendant son utilisation ou son stockage.
- Ne pas utiliser pas le produit si l'interrupteur n'éteint pas l'appareil. Faire remplacer l'interrupteur par un centre de service agréé.
- Maintenir les protections en place et en état de marche. Ne jamais utiliser ce produit si une protection ou un couvercle a été retiré. S'assurer que toutes les protections et tous les capots sont intacts et fonctionnent correctement avant chaque utilisation.
- Garder le produit sec, propre et exempt d'huile et de graisse. Toujours utiliser un chiffon propre pour le nettoyage. Ne jamais utiliser de liquide de frein, d'essence, de produits à base de pétrole ou de solvants pour nettoyer le produit.
- Faire attention lorsque vous positionnez le nettoyeur haute pression pour utilisation. L'air chaud du moteur pourrait causer des zones décolorées sur l'herbe.
- Veiller à maintenir un dégagement minimum de 3 pieds par rapport à tout matériau combustible.
- Ne jamais soulever ou porter la machine lorsque le moteur est en marche.
- Ne jamais démarrer la machine si de la glace s'est formée dans une partie quelconque de l'équipement.
- Afin de réduire le risque de blessure, tenez les enfants et les visiteurs à l'écart du produit lorsqu'il est utilisé. Tous les visiteurs doivent porter des lunettes de sécurité et se tenir à une distance sûre de la zone de travail.
- Utiliser le produit pour l'usage auquel il est destiné. Ne pas forcer le produit ou l'accessoire à faire un travail pour lequel il n'a pas été conçu. Ne pas utiliser pour un usage non prévu. Ne utiliser que les accessoires recommandés avec ce produit. L'utilisation d'accessoires inappropriés ou modifiés peut entraîner des risques de blessures.
- Ne jamais pulvériser trop près de la surface à nettoyer, car vous pourriez l'endommager. En cas de doutes, essayer d'abord de nettoyer une zone peu visible.

POUR DES QUESTIONS TECHNIQUES, VEUILLEZ APPELER LE 1-855-888-3598

- Après avoir arrêté le moteur, appuyez toujours sur la gâchette de la poignée de déclenchement pour libérer la pression stockée dans le tuyau haute pression. Le non-respect de cette consigne peut entraîner des blessures graves.
- Ne pas trop pencher et pas se tenir sur une échelle, un toit ou toute autre structure de support instable. Garder un bon équilibre et un bon pied à tout moment.
- Rester vigilant et faites preuve de maîtrise. Faire attention à ce que vous faites à tout moment et faites preuve de bon sens. Ne pas utiliser d'outil lorsque vous êtes fatigué. Ne pas se précipiter.
- Ne pas utiliser le produit sous l'influence de drogues, d'alcool ou de médicaments.
- Ne pas abuser du cordon. Ne jamais utiliser le cordon pour transporter le produit ou pour débrancher la fiche d'une prise. Maintenir le cordon à l'écart de la chaleur, de l'huile, des bords tranchants ou des pièces mobiles. Remplacer immédiatement les cordons endommagés. Les cordons endommagés augmentent le risque de choc électrique.
- Une protection par disjoncteur de fuite à la terre (GFCI) doit être prévue sur le(s) circuit(s) ou la(les) prise(s) qui seront utilisés pour le produit. Des prises sont disponibles avec une protection GFCI intégrée et peuvent être utilisées pour cette mesure de sécurité.
- Afin de réduire le risque de choc électrique, ce produit est équipé d'une fiche polarisée (une lame est plus large que l'autre) et nécessite l'utilisation d'une rallonge polarisée. La fiche ne peut être insérée dans une rallonge polarisée que dans un sens. Si la fiche ne s'insère pas complètement dans la rallonge, inversez la fiche. Si la fiche ne s'adapte toujours pas, procurez-vous une rallonge polarisée correcte. Une rallonge polarisée nécessite l'utilisation d'une fiche polarisée qui s'insère dans une rallonge polarisée dans un seul sens. Si la fiche ne s'insère pas complètement dans la rallonge, inversez la fiche. Si la fiche n'est toujours pas adaptée, procurez-vous une prise murale adaptée. Cette fiche s'insère dans la prise murale polarisée dans un seul sens. Si la fiche ne s'insère pas complètement dans la prise murale, inversez la fiche. Si la fiche ne s'adapte toujours pas, contactez un électricien qualifié pour installer la prise murale appropriée. Ne modifiez en aucun cas la fiche de l'équipement, la prise de la rallonge ou la fiche de la rallonge.
- MISE EN GARDE: Utilisez des rallonges extérieures marquées SW-A, SOW-A, STW-A, STOW-A, SJW-A, SJTW-A ou SJTOWA. Ces cordons sont conçus pour une utilisation en extérieur et réduisent le risque de choc électrique. Avant chaque utilisation, vérifiez que le cordon n'a pas de fils lâches ou exposés et que l'isolation n'est pas coupée ou usée.
- Assurez-vous que votre cordon prolongateur est en bon état. Lorsque vous utilisez une rallonge, assurez-vous d'en utiliser une suffisamment lourde pour supporter le courant que votre produit va consommer. Un calibre de fil (A.W.G.) d'au moins 14 est recommandé pour une rallonge de 25 pieds ou moins de longueur. En cas de doute, utilisez le calibre immédiatement supérieur. Plus le numéro de calibre est petit, plus le cordon est lourd. Un cordon sous-dimensionné provoquera une baisse de la tension de ligne, ce qui entraînera une perte de puissance et une surchauffe.
- Inspectez périodiquement les rallonges et remplacez-les si elles sont endommagées.
- NE PAS utiliser d'acides, d'alcalins, de solvants, de matières inflammables, d'agents de blanchiment ou de solutions de qualité industrielle dans ce produit. Ces produits peuvent causer des blessures physiques à l'opérateur et des dommages irréversibles à la machine.
- Avant de ranger l'appareil, laissez le moteur refroidir.
- Lors de l'entretien, n'utilisez que des pièces de rechange identiques. L'utilisation de toute autre pièce peut créer un danger ou endommager le produit.
- Avant de commencer toute opération de nettoyage, fermez les portes et les fenêtres. Débarrassez la zone à nettoyer des débris, jouets, meubles d'extérieur ou autres objets susceptibles de créer un danger.
- N'utilisez que de l'eau froide avec ce produit.
- Conservez ces instructions. Consultez-les fréquemment et utilisez-les pour instruire d'autres utilisateurs. Si vous prêtez ce produit à quelqu'un, prêtez-lui également ces instructions.
- Pour une utilisation en extérieur uniquement.

POUR DES QUESTIONS TECHNIQUES, VEUILLEZ APPELÉZ LE 1-855-888-3598

Instructions et précautions de sécurité importantes concernant spécifiquement l'électricité et les composants électriques de ce produit:

DOUBLE ISOLATION

La double isolation est un système de sécurité intégré aux outils électriques, qui rend inutile le cordon d'alimentation habituel à trois fils avec mise à la terre. Toutes les parties métalliques exposées sont isolées des composants internes du moteur par une isolation protectrice. Les produits à double isolation n'ont pas besoin d'être mis à la terre.



MISE EN GARDE: Choc électrique



Le système de double isolation est destiné à protéger l'utilisateur contre les chocs résultant d'une rupture de l'isolation interne du produit. Respectez toutes les précautions de sécurité normales pour éviter tout choc électrique.

REMARQUE: L'entretien d'un produit à double isolation nécessite un soin extrême et une connaissance du système et ne doit être effectué que par un technicien de service qualifié. Pour l'entretien, nous vous suggérons de renvoyer le produit au centre de service agréé le plus proche pour réparation. N'utiliser que des pièces de rechange d'origine pour l'entretien.

RACCORDEMENT ÉLECTRIQUE

Ce produit est équipé d'un moteur électrique de précision. Il doit être connecté à une alimentation électrique nominale de 120V/60Hz AC (circuit domestique américain typique).

Ne pas faire fonctionner ce produit sur du courant continu (CC). Une chute de tension importante entraînera une perte de puissance et le moteur surchauffera. Si l'appareil ne fonctionne pas lorsqu'il est branché sur une prise, vérifiez l'alimentation électrique.

RALLONGES

Lorsque vous utilisez un outil électrique à une distance considérable d'une source d'alimentation, assurez-vous d'utiliser une rallonge électrique qui a la capacité de gérer le courant que le produit va consommer. Un cordon sous-dimensionné provoquera une baisse de la tension de ligne, ce qui peut entraîner une surchauffe, une perte de puissance et/ou le déclenchement du disjoncteur ou du GFCI. Utiliser le tableau pour déterminer le calibre minimum des fils d'une rallonge électrique. Seuls les cordons à gaine ronde répertoriés par Underwriter's Laboratories (UL) doivent être utilisés. En cas de travail à l'extérieur avec un produit, utilisez des rallonges extérieures marquées SW-A, SOW-A, STW-A, STOW-A, SJW-A, SJTW-A ou SJTOWA. Ces cordons sont conçus pour une utilisation en extérieur et réduisent le risque de choc électrique. Vérifiez que le cordon n'a pas de fils lâches ou exposés et que l'isolation n'est pas coupée ou usée.

Inspecter le cordon pour vérifier que les fils ne sont pas lâches ou exposés et que l'isolation n'est pas coupée ou usée. Il est possible de faire un noeud entre la rallonge et le cordon d'alimentation pour éviter qu'ils ne se débranchent pendant l'utilisation. Cette méthode peut également être utilisée pour attacher deux rallonges ensemble.

CORDE DE PROLONGATION RECOMMANDÉE POUR L'UTILISATION DE CE PRODUIT:

Longueur du cordon	Taille du fil (A.W.G.)
25 ft.	14
50 ft	12
100 ft.	Non recommandé

DISJONCTEUR DE FUITE À LA TERRE (GFCI)

Cet appareil est équipé d'un disjoncteur de fuite à la terre (GFCI), qui protège contre les dangers des courants de fuite à la terre. Un exemple de courant de fuite à la terre est le courant qui circule dans une personne qui utilise un appareil dont l'isolation est défectueuse et qui, en même temps, est en contact avec une masse électrique telle qu'un appareil de plomberie, un plancher mouillé ou la terre. Les prises GFCI ne protègent pas contre les courts-circuits, les surcharges ou les chocs.

REMARQUE: Pour être sûr d'être prêt à l'emploi, appuyez sur le bouton de réinitialisation chaque fois que vous connectez le nettoyeur haute pression à l'alimentation électrique.

La fiche GFCI peut être testée à l'aide des boutons TEST et REINITIALISATION.

Pour tester:

- Appuyez sur le bouton TEST. Vous entendrez un « clic » et le voyant rouge s'éteindra.
- Pour rétablir le courant, appuyez sur le bouton REINITIALISATION. Le voyant LED s'allumera pour indiquer que l'alimentation a été rétablie.

Effectuer ce test tous les mois pour garantir le bon fonctionnement du GFCI.

**MISE EN GARDE:** Choc électrique

Maintenir la rallonge à l'écart de la zone de travail. Placer le cordon de manière à ce qu'il ne se prenne pas dans le bois, les outils ou d'autres obstacles lorsque vous travaillez avec un outil électrique. Le non-respect de cette consigne peut entraîner des blessures graves.

**MISE EN GARDE:** Choc électrique

Vérifier les cordons de rallonge avant chaque utilisation. S'il est endommagé, remplacez-le immédiatement. Ne jamais utiliser le produit avec un cordon endommagé car le fait de toucher la zone endommagée pourrait provoquer une décharge électrique entraînant des blessures graves.

Instructions et précautions de sécurité supplémentaires:**MISE EN GARDE:** Choc électrique

Le contact avec la source d'alimentation pourrait provoquer un choc électrique ou une brûlure entraînant la mort ou des blessures graves.

- Ne jamais pulvériser sur ou à proximité d'une source d'énergie électrique, y compris le produit lui-même.

**MISE EN GARDE:** Brûlure chimique

Les produits chimiques pourraient causer des brûlures entraînant la mort ou des blessures graves.

- NE PAS utiliser de liquide caustique avec le nettoyeur haute pression.
- Utiliser **UNIQUEMENT** des détergents/savons sans danger pour le nettoyeur haute pression. Suivre toutes les instructions du fabricant.

PREAVIS: Pour de plus amples informations concernant les pièces énumérées dans les pages suivantes, reportez-vous à

- LISTE ET DIAGRAMME DES PIÈCES à la page 20.

PREAVIS: Un jet à haute pression pourrait endommager les objets fragiles, y compris le verre.

- NE PAS diriger le pistolet de pulvérisation vers le verre lorsque vous utilisez la buse rouge (0°).
- Ne JAMAIS diriger le pistolet de pulvérisation vers les plantes.

PREAVIS: Un traitement inapproprié du nettoyeur haute pression pourrait l'endommager et réduire sa durée de vie. Si vous avez des questions sur l'utilisation prévue, contactez notre centre de service au 1-855-888-3598.

- NE JAMAIS utiliser d'appareils dont certaines pièces sont cassées ou manquantes, ou sans boîtier ou couvercle de protection.
- NE PAS contourner les dispositifs de sécurité de cette machine.
- NE PAS faire fonctionner le nettoyeur haute pression à une pression supérieure à la pression nominale.
- NE PAS modifier le nettoyeur haute pression de quelque façon que ce soit.
- Avant de démarrer le nettoyeur haute pression par temps froid, vérifiez toutes les parties de l'équipement pour vous assurer qu'il n'y a pas de glace qui s'y est formée.
- NE JAMAIS déplacer la machine en tirant sur les tuyaux. Utilisez la poignée fournie sur l'appareil.
- Cet équipement est conçu pour être utilisé UNIQUEMENT avec des pièces autorisées par A-iPower. Si l'équipement est utilisé avec des pièces qui ne sont PAS conformes aux spécifications minimales, l'utilisateur assume tous les risques et responsabilités.



MISE EN GARDE: Risque lié aux pièces mobiles



Le moteur et les autres pièces rotatives pourraient s'emmêler les mains, les cheveux, les vêtements ou les accessoires, entraînant des blessures graves.

- Ne JAMAIS utiliser le nettoyeur haute pression sans boîtier ou housse de protection.
- NE PAS porter de vêtements amples, de bijoux ou tout autre objet qui pourrait être pris dans le moteur ou d'autres pièces rotatives.
- Attachez les cheveux longs et enlevez les bijoux.



MISE EN GARDE: Risque de rebond



Saisir fermement le pistolet de pulvérisation avec les deux mains lors de l'utilisation de la pulvérisation à haute pression pour éviter les blessures lorsque le pistolet de pulvérisation rebondit.



MISE EN GARDE: Proposition 65 de la Californie

Ce produit, ainsi que d'autres substances qui peuvent se retrouver en suspension dans l'air suite à son utilisation, contient des produits chimiques, y compris du plomb, connus dans l'État de Californie pour provoquer des cancers, des anomalies congénitales ou d'autres problèmes de reproduction. Lavez-vous les mains après avoir manipulé le produit.

POUR DES QUESTIONS TECHNIQUES, VEUILLEZ APPELEZ LE 1-855-888-3598

**MISE EN GARDE:** Injection de fluide

L'eau à haute pression produite par cet équipement pourrait couper la peau et ses tissus sous-jacents, entraînant des blessures graves et une amputation possible.

- Le pistolet de pulvérisation emprisonne une pression d'eau élevée, même lorsque le moteur est arrêté et que l'eau est déconnectée, ce qui peut entraîner des blessures graves.
- En cas de coupure par un liquide, appeler immédiatement un médecin. **NE PAS** traiter comme une simple coupure.
- **NE PAS** permettre aux **ENFANTS** d'utiliser le nettoyeur haute pression.
- Ne **JAMAIS** réparer le tuyau haute pression. Le remplacer.
- Ne réparez **JAMAIS** les raccords qui fuient avec un produit d'étanchéité, quel qu'il soit. Remplacer le joint torique ou le joint d'étanchéité
- **NE JAMAIS** raccorder le tuyau haute pression à la rallonge de la buse.
- Garder le tuyau haute pression connecté à la pompe et au pistolet de pulvérisation pendant que le système est sous pression.
- **TOUJOURS** diriger le pistolet de pulvérisation dans une direction sûre, désengager le verrouillage de la gâchette et appuyer sur la gâchette du pistolet de pulvérisation pour libérer la haute pression, après chaque utilisation
- **NE JAMAIS** diriger le pistolet de pulvérisation vers des personnes, des animaux ou des plantes.
- **NE PAS** fixer le pistolet de pulvérisateur en position ouverte.
- **NE PAS** laisser le pistolet de pulvérisation sans surveillance lorsque la machine est en marche.
- **NE JAMAIS** utiliser un pistolet de pulvérisation dont la gâchette n'est pas verrouillée ou dont le pontet n'est pas en place et en état de marche.
- Toujours s'assurer que le pistolet de pulvérisation, les buses et les accessoires sont correctement fixés.

**MISE EN GARDE:** Risque de projection de projectiles

Risque de blessures oculaires ou corporelles. Le spray pourrait être projeté en arrière ou propulser des objets entraînant des blessures graves.

- Toujours porter des lunettes de sécurité conformes à la norme ANSI Z87.1 lors de l'utilisation ou à proximité de cet équipement.
- Portez toujours des vêtements de protection tels qu'une chemise à manches longues, un pantalon long et des chaussures à bouts fermés.
- Ne **JAMAIS** utiliser le nettoyeur haute pression pieds nus ou en sandales.

**MISE EN GARDE:** Risque de glissade ou de chute

L'utilisation du nettoyeur haute pression pourrait créer des surfaces glissantes entraînant une chute pouvant entraîner la mort ou des blessures graves.

- Le rebond du pistolet de pulvérisation peut vous faire tomber et entraîner des blessures graves ou mortelles.
- Faites fonctionner la laveuse à pression à partir d'une surface stable.
- La zone de nettoyage doit avoir des pentes et un drainage adéquat pour réduire la possibilité d'une chute due à des surfaces glissantes.
- Soyez extrêmement prudent si vous devez utiliser le nettoyeur haute pression depuis une échelle, un échafaudage ou tout autre endroit similaire.
- Saisir fermement le pistolet de pulvérisation avec les deux mains lors de l'utilisation de la pulvérisation à haute pression pour éviter les blessures lorsque le pistolet de pulvérisation rebondit.

⚠ AVERTIR: Lire le manuel

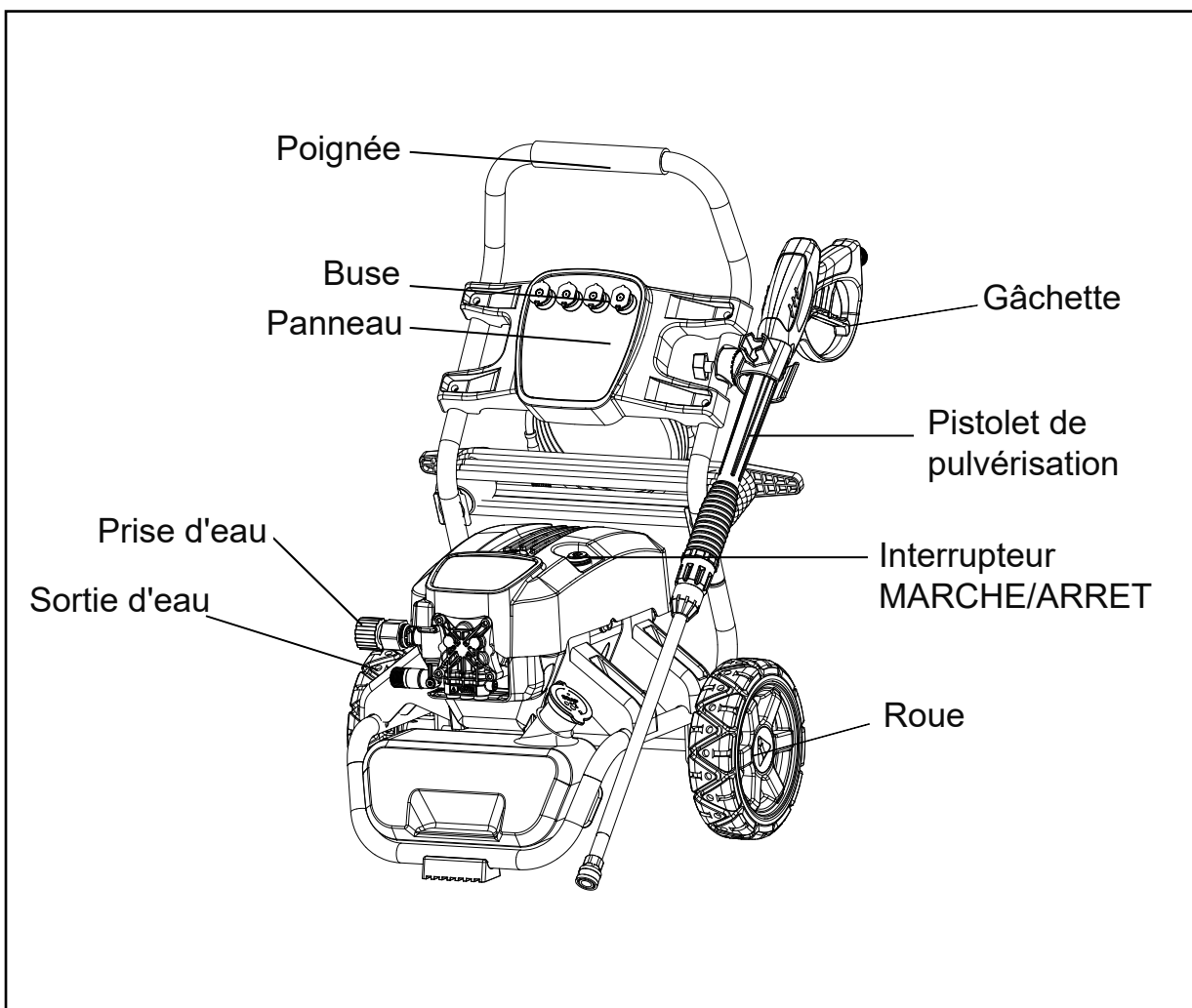


Lisez toute la section **SÉCURITÉ** au début de ce manuel, y compris tout le texte des sous-titres qui s'y trouvent, avant de configurer ou d'utiliser ce produit.

⚠ MISE EN GARDE:

- Si des pièces sont endommagées ou manquantes, **NE PAS** utiliser ce produit jusqu'à ce que les pièces soient remplacées. L'utilisation de ce produit avec des pièces endommagées ou manquantes peut entraîner des blessures graves.
- N'essayez pas de modifier ce produit ou de créer des accessoires non recommandés pour l'utilisation de ce produit. Toute altération ou modification de ce type constitue une mauvaise utilisation et peut entraîner des conditions dangereuses et des blessures graves.

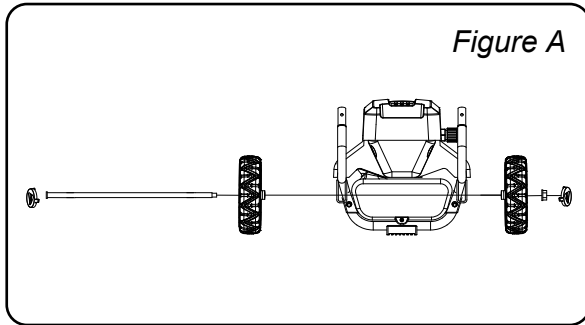
Connaître votre nettoyeur haute pression



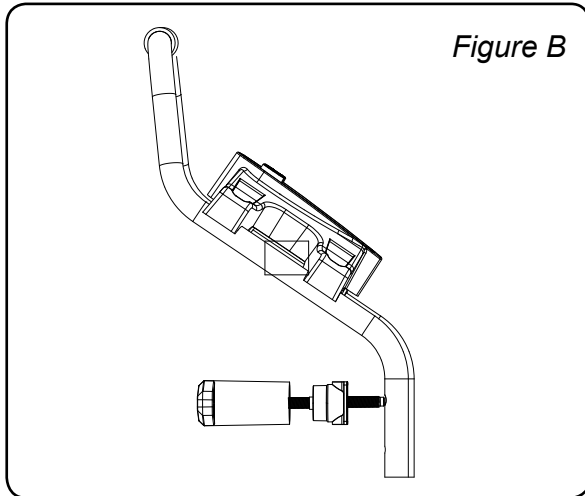
POUR DES QUESTIONS TECHNIQUES, VEUILLEZ APPELÉZ LE 1-855-888-3598

ASSEMBLAGE:

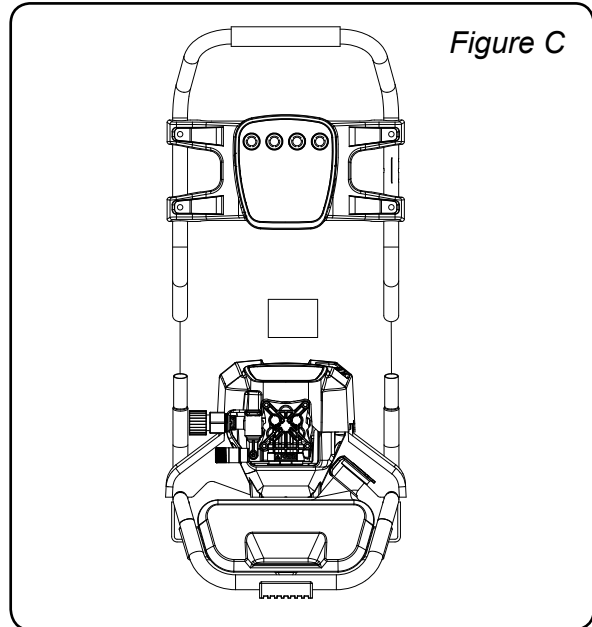
1. Insérez tour à tour l'essieu dans l'ensemble du cadre, les roues, les joints et les écrous, puis serrez l'écrou pour les fixer à l'aide d'une clé. Voir Figure A.



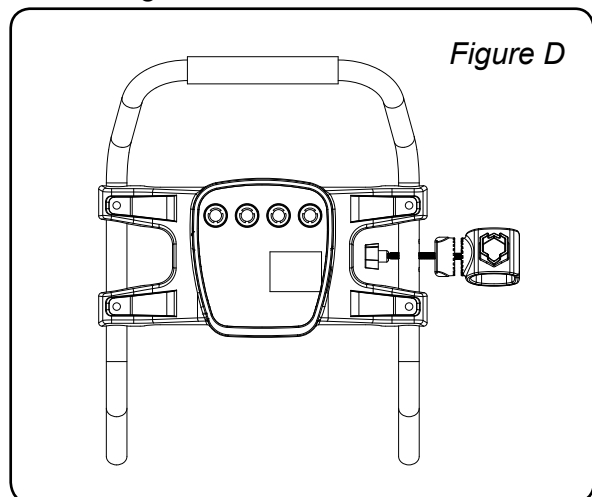
2. Fixez l'ensemble de l'enroulement du cordon à l'ensemble du tube de la poignée en utilisant une clé Allen pour serrer l'écrou hexagonal. Voir Figure B.



3. Insérez l'ensemble du tube de la poignée dans l'ensemble du cadre pour les assembler. Voir Figure C.

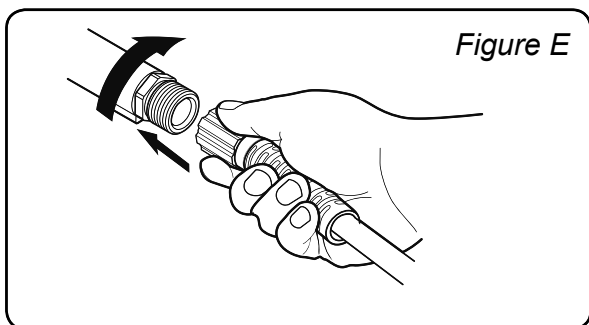


4. Fixez l'ensemble porte-pistolet à l'ensemble tube de poignée en serrant manuellement l'écrou papillon. Voir Figure D.

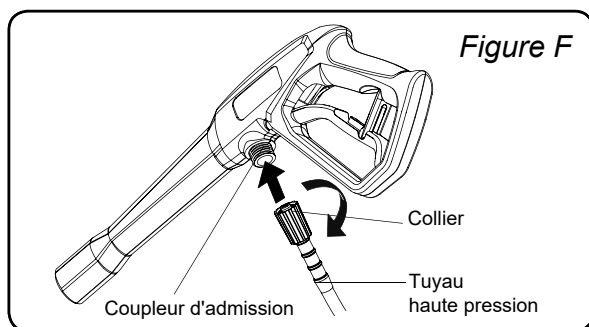


ASSEMBLAGE:

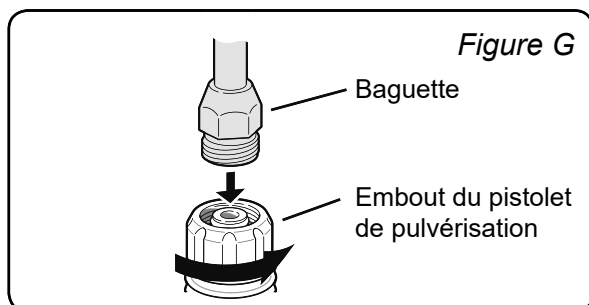
5. Raccorder le tuyau haute pression au raccord de sortie de la pompe et serrez fermement l'écrou à la main, **NE PAS UTILISER** d'outil pour serrer pour les étapes 3, 4, 5. Voir Figure E.



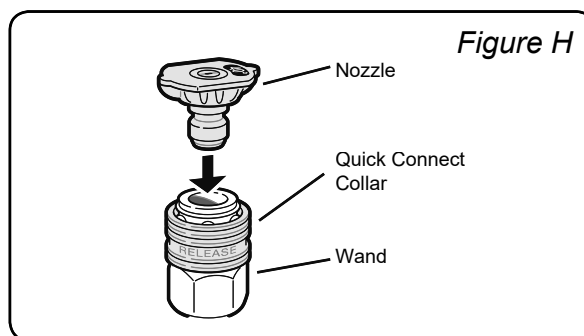
6. Raccorder le tuyau de pression à la poignée du pistolet de pulvérisation et serrez fermement l'écrou à la main. Voir Figure F.



7. Insérer la baguette dans l'embout du pistolet de pulvérisateur et serrez fermement l'écrou à la main. Voir Figure G.

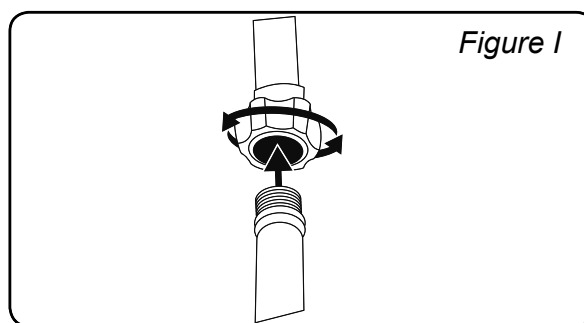


8. Fixer la buse à la baguette en tirant vers l'arrière le collier de connexion rapide et en poussant la buse sur l'extrémité de la baguette. Assurez-vous que le collier de connexion rapide verrouille la buse en place. Voir Figure H.



9. Raccordez le tuyau d'alimentation en eau au raccord d'entrée d'eau de l'appareil et serrez fermement le raccord d'entrée à la main. Voir Figure I.

La source d'eau doit être capable de fournir un minimum de trois gallons d'eau propre et froide par minute à 20PSI. N'utiliser qu'un tuyau de 5/8" de diamètre intérieur, ou plus grand, qui est évalué pour répondre à cette capacité.



INFORMATIONS GÉNÉRALES:

Eau	N'utiliser que de l'eau froide. Ne pas utiliser le nettoyeur haute pression si la grille du filtre d'entrée d'eau est obstruée ou manquante. Ne pas utiliser le nettoyeur haute pression sans une alimentation en eau adéquate.
Réglage de la pression	La pression est pré-réglée en usine.
Pompe haute pression	La pompe haute pression ne comporte aucune pièce réparable. Ne pas essayer de réparer ou d'entretenir la pompe, car vous pourriez l'endommager et annuler votre garantie. Si vous pensez que la pompe a besoin d'être réparée, veuillez appeler notre service clientèle au 1-855-888-3598. Ne pas laisser l'eau geler dans la pompe. Si le produit est stocké dans un endroit où les températures seront inférieures à 0°C (32°F), assurez-vous que toute l'eau a été retirée de la pompe ou qu'un produit approprié de protection de la pompe a été utilisé. La non protection de la pompe contre le froid peut causer des dommages et éventuellement annuler la garantie.
Tuyau haute pression	Faites attention au tuyau et à son emplacement lorsque vous utilisez le produit. Ne laissez pas le tuyau s'emmêler ou se plier, car cela pourrait l'endommager. NE PAS essayer de déplacer l'appareil en tirant sur le tuyau haute pression.
Savon / Produits chimiques	N'utiliser que des savons et des détergents chimiques conçus pour les nettoyeurs haute pression. Toujours suivre les instructions du fabricant du détergent sur son récipient. NE PAS utiliser d'eau de Javel, d'acide, de matières inflammables ou de solvants industriels.
Buse	Gardez toujours les buses propres et non obstruées. Utiliser l'aiguille du gicleur pour le nettoyer s'il est bouché
Stockage / Hivernage	Le nettoyeur haute pression est équipé d'emplacements pour ranger vos accessoires comme indiqué dans le diagramme de la page 9. <ul style="list-style-type: none"> Placez le pistolet de pulvérisation dans le porte-pistolet. Placez les buses dans le panneau approprié. Enroulez le tuyau de pression et suspendez-le à un cintre ou à un enrouleur si l'appareil en est équipé. Couvrez le nettoyeur haute pression et rangez-le dans un endroit frais et sec, hors de portée des enfants. Ne pas stocker à l'extérieur ou dans un endroit exposé à la pluie ou à la neige.



AVERTIR: Emplacement de stockage au froid

- Si le produit doit être exposé à des températures inférieures à 32° F / 0° C pendant le stockage, l'utilisation d'un produit de protection de la pompe (non inclus) est nécessaire. Utiliser le produit de protection de la pompe conformément aux instructions du fabricant de la protection de la pompe.
- Le fait de ne pas préparer la pompe à l'exposition à une température froide causera des dommages à la pompe et annulera votre garantie.



AVERTIR: Lire le manuel



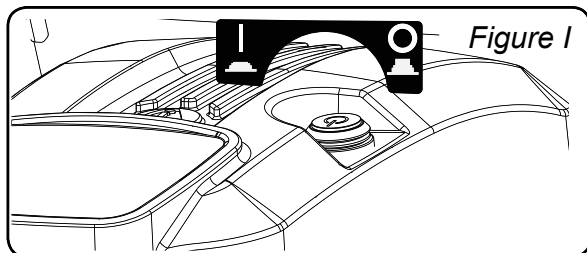
Lire l'intégralité des sections SÉCURITÉ et CONFIGURATION au début de ce manuel, y compris tout le texte des sous-titres qui s'y trouvent, avant d'utiliser ce produit. Une utilisation ou un traitement inapproprié de la laveuse à pression peut endommager les composants internes et réduire la durée de vie de l'appareil. Le non-respect de cet

Vérifications avant le démarrage

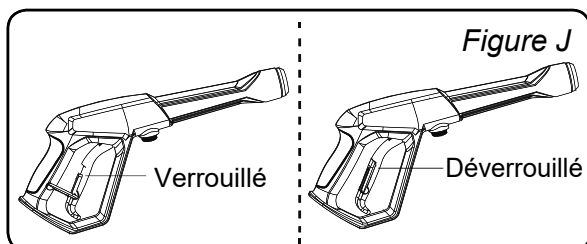
Avant chaque utilisation, inspectez le produit en recherchant les pièces endommagées, lâches et manquantes avant de le régler et de le mettre en marche. En cas de problème, NE PAS utiliser le produit jusqu'à ce qu'il soit réparé correctement. Veuillez appeler notre service clientèle au 1-855-888-3598.

Démarrage et arrêt de votre nettoyeur haute pression.

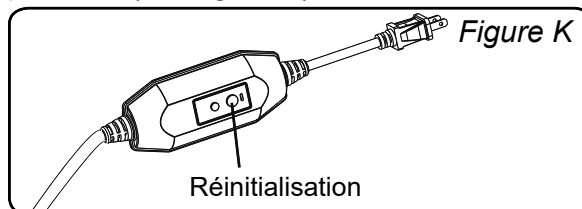
Sur l'avant du produit se trouve l'interrupteur principal MARCHE/ARRET (voir figure I). Cet interrupteur fonctionne en conjonction avec l'interrupteur AUTO MARCHE/ARRET intégré au produit. L'interrupteur AUTO s'allume et s'éteint lorsque la gâchette du pistolet est pressée et / ou relâchée. De ce fait, le système peut avoir de la pression, même lorsque le moteur ne fonctionne pas. Faites toujours preuve de prudence autour du nettoyeur haute pression.



A. Assurez-vous que le tuyau d'arrosage est correctement raccordé, que l'eau est ouverte et que le tuyau d'arrosage n'est pas plié. Ne faites pas fonctionner le produit sans que l'eau soit branchée et allumée. Le non-respect de cette consigne peut entraîner une surchauffe de la pompe et causer des dommages. Presser et maintenir la gâchette pour libérer l'air emprisonné dans le tuyau et la pompe. Maintenir la gâchette pressée jusqu'à ce qu'un jet régulier d'eau propre sorte de l'extrémité de la lance. Il est préférable de ne pas avoir de buse insérée lors de cette étape. Engager le verrouillage de la gâchette sur le pistolet avant de passer à l'étape suivante (voir figure J)



B. Brancher la fiche du GFCI dans un réceptacle correctement mis à la terre. Faire attention aux autres appareils électriques qui peuvent fonctionner sur le même circuit de dérivation que le nettoyeur haute pression. Si l'intensité du circuit n'est pas suffisante pour alimenter tous les appareils qui s'y trouvent, le disjoncteur de votre maison peut se déclencher lorsque le nettoyeur haute pression est mis en marche. Si cela se produit, déterminez ce qui se trouve sur le circuit et retirez-le pendant que vous utilisez le nettoyeur haute pression. Réinitialisez le disjoncteur de votre domicile et appuyez sur le bouton de réinitialisation de la prise GFCI pour vous assurer que le courant parvient au nettoyeur haute pression (voir figure K).



C. Mettre l'interrupteur principal MARCHE/ARRET en position MARCHE. Le moteur fonctionnera pendant un seulement plusieurs secondes alors qu'il accumule de la pression, puis l'interrupteur AUTO éteindra le moteur. C'est la procédure normale de fonctionnement.

POUR DES QUESTIONS TECHNIQUES, VEUILLEZ APPELEZ LE 1-855-888-3598

1. Choisir la bonne buse adaptée à la tâche.

Votre produit est fourni avec une sélection de buses à connexion rapide. Les buses sont dimensionnées spécifiquement pour vous donner une pression maximale à tout moment. Chaque buse est marquée et classée en degrés de ventilation. Elles ont également un code couleur (voir le tableau ci-dessous). Plus le nombre de degrés du ventilateur est élevé, plus le motif du ventilateur est large. Plus le ventilateur est serré, plus l'impact sur la surface est important, ce qui est idéal pour les travaux difficiles. Plus le jet est large, plus l'impact sur la surface est réparti, ce qui convient mieux aux travaux faciles ou aux surfaces molles. Trouver la bonne buse pour le travail à effectuer peut nécessiter quelques essais. Toujours commencer par le degré de ventilation le plus large et continuez avec les degrés inférieurs jusqu'à ce que vous obteniez le meilleur résultat. Toujours tester la buse sur une zone qui n'est pas visible.

PREAVIS: Tous les modèles ne sont pas livrés avec toutes les buses décrites dans cette section. Utilisez uniquement les informations relatives aux buses fournies avec votre produit.

					HAUTE PRESSION, PAS D'INJECTION DE SAVON				SAVON
					0° ROUGE	15° JAUNE	25° VERT	40° BLANC	65° NOIR
0°	✓								
15°	✓	✓							
25°	✓	✓	✓						
40°	✓	✓	✓	✓					
65°	✓	✓	✓	✓					

AGRESSIF **DOUX**

Buse 0° - Rouge: Cette buse délivre un jet précis d'eau sous pression et est extrêmement puissante. Utilisez-le pour les travaux de nettoyage les plus difficiles, bien qu'il ne couvre qu'une petite zone. Cette buse ne doit être dirigée que sur des surfaces pouvant résister à des pressions élevées telles que le métal ou le béton. N'utilisez pas cette buse pour nettoyer le bois ou les surfaces molles.

Buse 15° - Jaune: Cette buse offre un jet de 15 degrés pour un nettoyage et un décapage intensifs. Il ne doit être utilisé que sur des surfaces pouvant résister à la pression de cette buse.

Buse 25° - Vert: Cette buse offre un jet de 25 degrés pour les tâches générales. Il ne doit être utilisé que sur des surfaces pouvant résister à la pression de cette buse.

Buse 40° - Blanc: Cette buse offre un jet de pulvérisation à 40 degrés pour les surfaces facilement endommagées. Il ne doit être utilisé que sur des surfaces pouvant résister à la pression de cette buse.

Buse chimique 65° - Noir: Cette buse est utilisée pour appliquer des produits chimiques spéciaux et des solutions de nettoyage. Cette buse produit le flux de pression le plus faible des buses.

! MISE EN GARDE: Protection des yeux / Risque d'injection de liquide



Portez TOUJOURS des lunettes de sécurité homologuées lorsque vous utilisez un nettoyeur haute pression. Le jet peut projeter ou propulser des objets, y compris des accessoires mal fixés. Le jet d'eau à haute pression que produit cet équipement peut couper la peau et ses tissus sous-jacents, entraînant une éventuelle amputation. Le pistolet de pulvérisation emprisonne une pression d'eau élevée, même lorsque le moteur est arrêté et que la source d'eau est débranchée, ce qui peut causer des blessures.

- Ne pas diriger le jet de la laveuse à pression vers des personnes ou des animaux.
- Garder les enfants et les animaux domestiques loin de la zone de travail.
- Maintenir la zone de travail exempte de pierres, de verre et de débris.
- Le jet d'eau à haute pression pourrait causer des blessures graves.

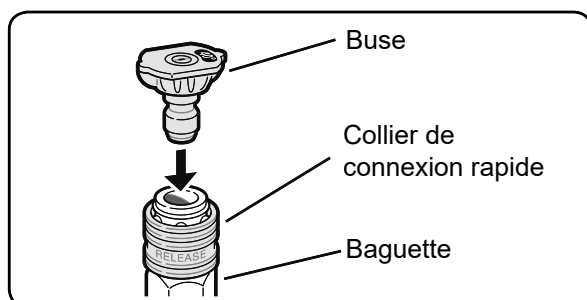
2. Raccordement de la buse à la lance de pulvérisation.

! MISE EN GARDE:

- Ne jamais placer les mains devant la buse et ne dirigez jamais la buse vers votre visage.
- Ne jamais essayer de nettoyer une buse bouchée lorsqu'elle est fixée à la lance.
- N'essayez jamais de fixer ou de retirer la lance de pulvérisation ou les raccords de tuyau lorsque le système de lavage sous pression est sous pression.
- Arrêter la laveuse à pression. Tout en dirigeant le jet dans une direction sûre, relâchez la pression en appuyant sur la gâchette. Verrouillez ensuite la gâchette du pistolet avant d'essayer de changer de buse à pression.

2.1 Pour la fixation, tirez le collier de connexion rapide vers l'arrière, insérez la buse dans la lance de pulvérisation femelle à connexion rapide et appuyez pour la verrouiller en place. Assurez-vous que le collier s'enclenche en place.

2.2 Pour le détacher, tirez le collier de connexion rapide vers l'arrière et tirez la buse pour la retirer.



3. Utilisation du pistolet de pulvérisation.

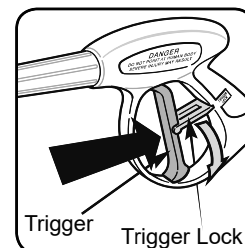
! MISE EN GARDE:

- Pour éviter une décharge accidentelle du nettoyeur haute pression, le verrouillage de la gâchette doit être engagé chaque fois que le nettoyeur haute pression n'est pas utilisé.
- Pour désengager le verrou de la gâchette, poussez le verrou vers le bas et dans sa position initiale.

Pour actionner la gâchette:

3.1 Appuyer sur la gâchette pour faire couler l'eau par la buse.

3.2 Relâchez la gâchette pour arrêter l'écoulement de l'eau.



4. Lavage/Nettoyage.

4.1 Saisissez fermement le pistolet de pulvérisation avec les deux mains.

4.2 Commencer avec une buse à haut degré de ventilation, et utilisez progressivement l'unité inférieure la buse répond à la tâche.

4.3 Pointer la buse dans une direction sûre et appuyez sur la gâchette du pistolet de pulvérisation pour permettre à la pompe de purger l'air et les impuretés dans le système, puis redirigez la buse vers la surface de travail.

4.4 Nettoyer les surfaces verticales et inclinées de haut en bas.

- 4.5 Lors du nettoyage de surfaces horizontales, utiliser de temps en temps le jet pour débarrasser la zone de l'excès d'eau.
- 4.6 Pour un nettoyage plus efficace, maintenez la buse de pulvérisation à une distance de 8 à 24 pouces de la surface à nettoyer. Si vous approchez la buse trop près, vous risquez d'endommager la surface à nettoyer. Il n'est pas recommandé de s'approcher à moins de 6pouces lors du nettoyage des pneus.

5. Réglage de la pression

- 5.1 Variez votre distance: Pour modifier l'effet de la pression sur la surface à nettoyer, variez la distance entre la buse de pulvérisation et la surface à nettoyer. Plus vous vous rapprochez de la surface, plus l'effet de la pression est important. Plus vous vous éloignez de la surface, plus l'effet de la pression diminue. Pour un nettoyage plus efficace, maintenez la buse à une distance de 8 à 24 pouces de la surface à nettoyer.

6. Utilisation de produits chimiques

PREAVIS: N'utilisez que des savons et des produits chimiques conçus pour être utilisés avec une laveuse à pression. **NE PAS UTILISER D'EAU DE JAVEL, D'ACIDES OU DE SOLVANTS INDUSTRIELS.**

Les produits chimiques, les savons et les solvants de nettoyage ne siphonneront pas lorsqu'une buse haute pression est utilisée. N'utiliser que la buse noire (basse pression) pour pulvériser des détergents. Remplir le réservoir de détergent (le cas échéant) avec la solution détergente préparée et fermez le bouchon. La laveuse à pression tirera un gallon de détergent pour chaque sept gallons d'eau.

- 6.1 Si votre nettoyeur haute pression est équipé d'un réservoir à savon intégré
 - a. Remplissez le réservoir à savon de détergent et fermez le couvercle.
 - b. Remplacez la buse de la lance par la buse noire.
 - c. Démarrez le moteur et pulvériser le savon.

7. Pour rincer

- 7.1 Remplacez la buse par une buse haute pression appropriée (voir «Choisir la bonne buse» à la page 14). Appuyez sur la gâchette et attendez que le détergent se dissipe.
- 7.2 Garder le pistolet de pulvérisation à une distance sûre de la zone que vous prévoyez de pulvériser.
- 7.3 Appliquez un jet à haute pression sur une petite surface, puis vérifiez si la surface est endommagée. Si aucun dommage n'est constaté, vous pouvez continuer à nettoyer.
- 7.4 Pour une surface verticale, commencez par le haut de la zone à rincer, en effectuant les mêmes mouvements de chevauchement que pour le lavage et l'application du détergent.

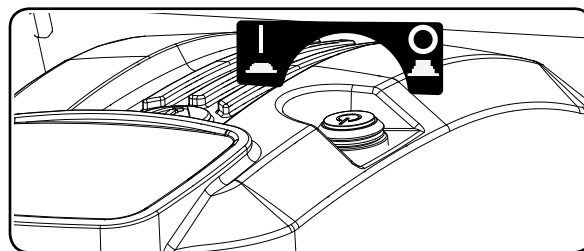
8. Conseils de nettoyage

PREAVIS: Ne jamais utiliser l'entrée du tuyau d'arrosage de la laveuse à pression pour siphonner du détergent ou de la cire. Laisser des produits chimiques et des solutions de nettoyage à l'intérieur de la pompe à pression pourrait l'endommager. Les dommages causés par le fait de laisser des savons, des produits chimiques et des solutions de nettoyage à l'intérieur de la pompe peuvent annuler la garantie.

9. Arrêt de la laveuse à pression

Pour arrêter le produit en cas d'urgence, mettez l'interrupteur principal MARCHE/ARRET en position d'arrêt. Dans des conditions normales, suivez la procédure suivante:

- 9.1 Relâchez la gâchette de la poignée du pistolet de pulvérisation.
- 9.2 Mettez l'interrupteur principal hors tension.
- 9.3 Coupez l'alimentation en eau.
- 9.4 Débranchez le cordon GFCI.



PREAVIS: Un entretien régulier améliorera les performances et prolongera la durée de vie de votre nettoyeur haute pression. L'entretien doit être effectué par une personne ou un technicien qualifié

La garantie de la laveuse à pression ne couvre pas les articles qui ont été soumis à l'abus ou à la négligence de l'opérateur. Ce n'est qu'en entretenant la laveuse à pression conformément aux instructions du présent manuel que la pleine valeur de la garantie sera honorée.

Entretien de la pompe

PREAVIS: La pompe à pression ne nécessite aucun entretien. Si vous remarquez un quelconque signe de fuite d'huile à l'intérieur et autour de la pompe, **NE PAS UTILISER** la laveuse à pression. Veuillez appeler notre service clientèle au 1-855-888-3598.

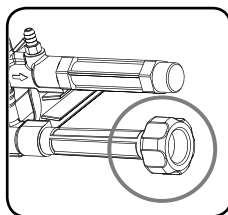
Nettoyage de la buse:

Occasionnellement, la lance de pulvérisation peut être obstruée par des matières étrangères telles que des saletés. Lorsque cela se produit, une pression excessive peut se développer. Chaque fois que la buse de pression devient particulièrement obstruée, la pression de la pompe pulsera. Elle doit être immédiatement nettoyée.

1. Assurez-vous que la laveuse à pression est éteinte et que le pistolet de pulvérisation est verrouillé
2. Retirez la buse de pulvérisation haute pression de la lance de pulvérisation. À l'aide de l'aiguille de nettoyage de la buse (fournie), éliminez toute obstruction en insérant et en déplaçant soigneusement l'aiguille d'avant en arrière dans le trou de la buse sous l'eau courante propre.
3. Après le nettoyage, retirez l'aiguille de la buse et rangez-la pour une utilisation ultérieure.
4. Remontez la buse de pression sur la lance de pulvérisation.

Nettoyage du filtre à tamis de l'entrée d'eau:

L'entrée d'eau de la pompe est équipée d'un filtre à tamis qui doit être vérifié périodiquement et nettoyé si nécessaire.



- Débranchez le tuyau d'arrivée d'eau.
- Retirez le filtre en saisissant l'extrémité et en tirant tout droit.
- Nettoyez le filtre en rinçant les deux côtés avec de l'eau.
- Remettez le filtre à l'intérieur de l'orifice d'entrée d'eau.

PREAVIS: NE PAS utiliser la laveuse à pression sans que le filtre à tamis de l'entrée d'eau soit en place. Les impuretés qui entrent dans la pompe à pression peuvent causer des dommages internes.

Nettoyage de la laveuse à pression

Les inspections quotidiennes ou avant chaque utilisation doivent inclure les zones autour et sous la laveuse à pression pour rechercher des signes de fuites d'eau ou d'huile. Un entretien préventif doit être effectué si des fuites sont constatées.

Inspectez les fentes et les ouvertures d'air de refroidissement sur le boîtier de la laveuse à pression. Les ouvertures doivent être maintenues propres et non obstruées pour une performance optimale de la laveuse à pression.

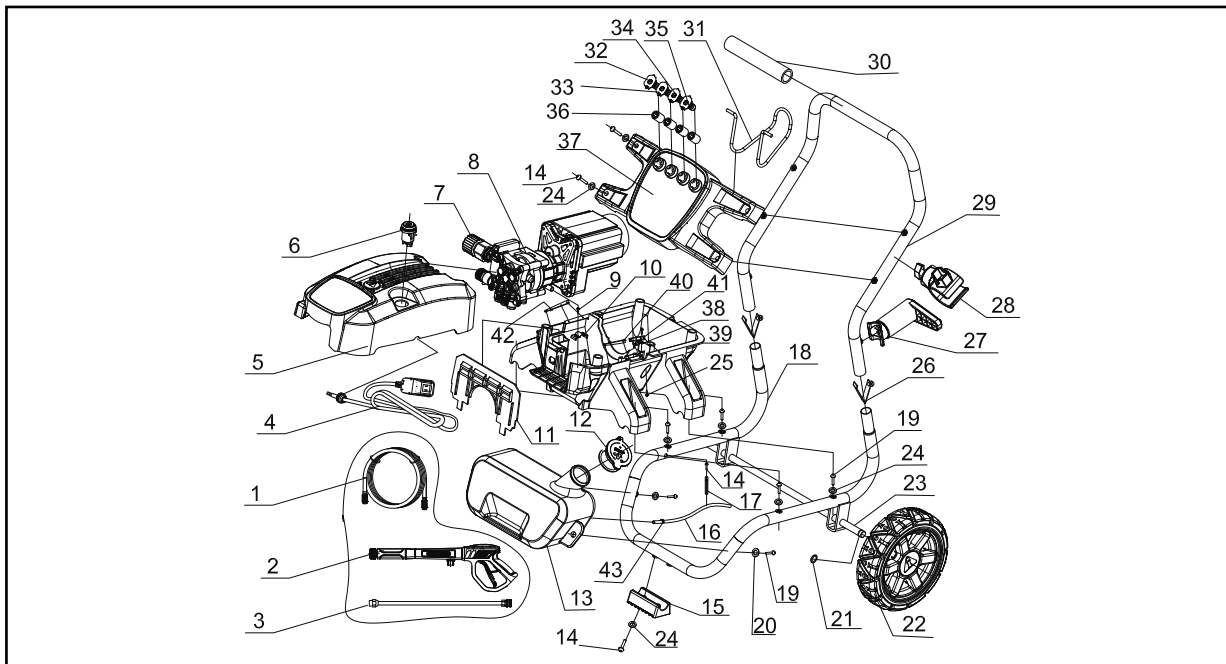
- Utilisez un chiffon humide pour nettoyer les surfaces extérieures.
- Utilisez une brosse à poils doux pour détacher la saleté accumulée.
- Utilisez un aspirateur d'atelier pour ramasser la saleté et les débris détachés.

Dépannage

PROBLÈME	CAUSE POSSIBLE	SOLUTION POSSIBLE
Le moteur ne démarre pas.	L'interrupteur MARCHE/ARRET est en position «ARRET» (O).	Placez l'interrupteur sur la position «MARCHE» (I).
	Le cordon d'alimentation n'est pas branché.	Brancher le cordon d'alimentation.
	La prise électrique ne fournit pas une alimentation adéquate.	Essayer une autre prise.
	Le disjoncteur du nettoyeur haute pression s'est déclenché.	Laissez refroidir et redémarrez l'appareil.
	L'interrupteur d'alimentation est sur MARCHE mais la gâchette du pistolet n'est pas pressée sur ARRET.	Lorsque l'interrupteur est sur ON, appuyez sur la gâchette du pistolet, ce qui enclenchera l'interrupteur AUTO MARCHE.
L'appareil n'atteint pas la haute pression.	Le diamètre du tuyau d'arrosage est trop petit.	Remplacez-le par un tuyau d'arrosage de 1" (25 mm) ou 5/8" (16 mm).
	L'alimentation en eau est limitée.	Vérifiez que le tuyau d'arrosage n'est pas plié, ne fuit pas et n'est pas bloqué
	L'alimentation en eau est insuffisante.	Ouvrez complètement la source d'eau.
	L'embout de pression n'a pas été installé sur la baguette.	Ajouter l'embout de pression souhaité à l'extrémité de la lance.
	Le filtre d'entrée d'eau est bouché	Retirez le filtre et rincez-le à l'eau claire.
La pression de sortie varie de haute à basse	L'arrivée d'eau est insuffisante.	Ouvrez complètement l'eau. Vérifiez que le tuyau d'arrosage n'est pas plié, qu'il ne fuit pas et qu'il n'est pas bouché.
	La pompe aspire de l'air.	Vérifiez que tous les tuyaux et raccords sont bien serrés. Mettre le produit HORS TENSION et purger l'air de la pompe en appuyant sur la gâchette jusqu'à ce qu'un jet régulier d'eau propre s'écoule de l'embout de pulvérisation.
	Le filtre d'entrée d'eau est bouché	Retirez le filtre et rincez-le à l'eau claire.
	La tension d'alimentation est inférieure au minimum.	Vérifier que seul le nettoyeur haute pression fonctionne sur ce circuit.

Suite du dépannage

PROBLÈME	CAUSE POSSIBLE	SOLUTION POSSIBLE
Le moteur bourdonne mais ne fonctionne pas.	La tension d'alimentation est inférieure au minimum.	Vérifier que seul le nettoyeur haute pression fonctionne sur ce circuit.
	Le système a une pression résiduelle.	Mettre l'appareil à «L'ARRET», appuyez sur la gâchette de la lance de pulvérisation pour relâcher la pression, puis mettre l'appareil en «MARCHE».
	Perte de tension due à une rallonge.	Débranchez toute rallonge électrique et branchez l'appareil directement dans la prise de courant.
	La laveuse à pression n'est pas utilisée pendant de longues périodes.	Appelez le service clientèle.
	Frottement résiduel entre les composants.L'appareil peut ronronner.	Débrancher l'alimentation en eau et mettre sous tension pendant 2 à 3 secondes, répéter plusieurs fois ou jusqu'à ce que le moteur démarre.
Pas d'eau	L'alimentation en eau est coupée.	Ouvrez l'alimentation en eau.
	Le tuyau d'arrosage est plié.	Retirez le noeud du tuyau d'arrosage.
Pas de détergent	Le tuyau de l'injecteur de savon n'est pas correctement immergé dans le détergent.	Assurez-vous que le tuyau est correctement immergé.
Fuite de la baguette	Joint torique endommagé	Remplacer le joint torique.Si cela ne résout pas le problème, appelez notre service clientèle au numéro gratuit 1-855-888-3598.



Pièce	Description	QTY
1	Tuyau haute pression	1
2	Pistolet	1
3	Baguette	1
4	Ensemble du faisceau de câbles	1
5	Ensemble de la coque supérieure	1
6	Interrupteur	1
7	Écrou d'union d'entrée d'eau	1
8	Ensemble de la pompe du moteur	1
9	Vis taraudeuse à tête plate	8
10	Clip de tête de pompe	2
11	Déflecteur	1
12	Bouchon du réservoir à savon	1
13	Réservoir à savon	1
14	Boulon à tête hexagonale	7
15	Support amortisseur de chocs	1
16	Tube de siphon	0.5
17	Clip de fixation du harnais métallique	1
18	Ensemble du cadre	1
19	Boulon à tête hexagonale	6
20	Rondelle plate	2
21	Circlip pour l'arbre	2
22	Ensemble des roues	2

Pièce	Description	QTY
23	Axel	1
24	Rondelle plate	8
25	Vis taraudeuse à tête plate à empreinte	6
26	Clip en V	2
27	Ensemble de l'enveloppe du cordon	2
28	Ensemble porte-pistolet	1
29	Ensemble du tube de la poignée	1
30	Manchon en caoutchouc	1
31	Crochet de tuyau	1
32	Buse	1
33	Buse	1
34	Buse	1
35	Buse	1
36	Siège de fixation de la buse	4
37	Panneau de la buse	2
38	Clip de fixation	2
39	Ensemble de la plaque de base	1
40	Nervure en plastique	1
41	Nervure en plastique	1
42	Nervure en plastique	1
43	Collier de serrage	2

POUR DES QUESTIONS TECHNIQUES, VEUILLEZ APPELÉZ LE 1-855-888-3598

**GARANTIE LIMITÉE
CONSERVEZ VOTRE REÇU.**

Une preuve d'achat sera requise pour justifier toute réclamation au titre de la garantie.

CE QUI EST COUVERT:

A-iPower Corp. garantit à l'acheteur au détail d'origine aux États-Unis d'Amérique ou au Canada que ce produit est exempt de défauts de matériaux et de fabrication et accepte, sous la direction d'A-iPower Corp, de réparer, de fournir des pièces de rechange pour, ou remplacer (sans frais pour les pièces ou la main-d'oeuvre) tout produit ou composant présentant un défaut matériel pendant une période de 2 ans à compter de la date d'achat, sauf dans les cas limités ci-dessous. Le service de garantie et les pièces de rechange sont garantis uniquement pendant la durée de la garantie sur le produit d'origine. Toutes les pièces ou produits remplacés deviennent la propriété d'A-iPower Corp. Ce produit est également couvert par une garantie du système de contrôle des émissions qui est distincte et en plus de la garantie.

Garantie

Garantie limitée A-iPower - 3 ans résidentiel et 1 an commercial. La garantie résidentielle de 3 ans s'applique comme suit : 1ère, 2e année Pièces et main-d'oeuvre / 3e année Pièces SEULEMENT Gracias por elegir los productos A-iPower. Para asegurar el registro adecuado de la garantía de su producto, deberá enviarnos el registro de la garantía junto con el comprobante de compra dentro de los 10 días siguientes a la fecha de compra, esto se puede realizarse mediante:

A. Remplissez le formulaire d'enregistrement de la garantie au dos de ce manuel et l'envoyer à:

B. Visitez-nous sur www.a-ipower.com et cliquez sur l'icône d'enregistrement du produit.

A-IPOWER CORP
10887 COMMERCE WAY UNIT A
FONTANA CA 92337 USA

Durée de la garantie

A-iPower fournira une garantie pour l'un de ses produits achetés auprès d'un revendeur A-iPower autorisé en Amérique du Nord à l'acheteur d'origine et sera garantie contre les défauts de matériaux ou de fabrication pendant une période de deux (2) ans pour le consommateur utiliser à partir de la date d'achat, sous réserve des exclusions indiquées dans les présentes. Les applications commerciales et de location sont garanties pour une période d'un (1) an à compter de la date d'achat.

«Utilisation par consommateur» - utilisation résidentielle par un consommateur au détail
«Utilisation commerciale» - toute autre utilisation - à des fins commerciales, d'affaires, industrielles ou de location.

Comment obtenir le service de garantie

Veillez appeler notre service clients 1-855-888-3598 ou envoyer un e-mail à support@a-ipower.com

Veillez disposer des informations nécessaires - numéro de modèle, numéro de série, preuve d'achat.

POUR DES QUESTIONS TECHNIQUES, VEUILLEZ APPELEZ LE 1-855-888-3598

NE RETOURNEZ PAS LE PRODUIT AU LIEU D'ACHAT

Le service à la clientèle d'A-iPower répondra à toutes les questions relatives au produit et aidera à résoudre les problèmes et enverra toutes les pièces de rechange si nécessaire pendant que le produit est dans la période de garantie sans frais. Si le problème ne peut pas être résolu, le service client d'A-iPower, à sa discrétion, détermine et autorise le diagnostic et la réparation via l'un de ses centres de service autorisés. A-iPower Corp peut, à sa discrétion, choisir de remplacer une pièce, un composant ou un produit. Le service ou le remplacement de pièces dans un centre de réparation non autorisé sans autorisation préalable ne sera pas couvert par cette garantie.

Exclusions de garantie

Cette garantie ne couvre pas les éléments suivants:

Usure et maintenance régulière - cette garantie ne couvre pas les réparations lorsque l'utilisation normale a épuisé la durée de vie d'une ou de plusieurs pièces ou d'un moteur.

Installation et maintenance - cette garantie ne couvre pas le montage, l'altération, la modification ou tout autre dommage incorrect ou non autorisé résultant d'une mauvaise utilisation ou d'une négligence.

Pièces de maintenance normale - cette garantie ne couvre pas les bougies d'allumage, les filtres à air, les réglages ou tout autre service connexe en raison d'obstructions et d'autres accumulations résultant d'une mauvaise maintenance.

Exclusions supplémentaires - cette garantie ne couvre pas les pièces portables telles que les filers, les bougies d'allumage, les joints toriques, les piles, etc. Elle ne couvre pas les défauts esthétiques tels que les rayures sur la peinture, les décalcomanies, etc. pièces non d'origine du fabricant, utilisation de pièces de rechange. Elle ne couvre pas les défaillances dues à des cas de force majeure et à d'autres événements de force majeure échappant au contrôle du fabricant.

Limites de garantie et implications et dommages consécutifs

A-iPower n'est pas tenu de couvrir toute perte de temps, utilisation du produit, frais de transport ou toute autre réclamation accessoire ou consécutive à l'utilisation de ce produit. Cette garantie remplace toutes les autres garanties, expresses ou implicites.

Cette garantie vous donne des droits légaux spécifiques qui varient d'un état à l'autre.

DIRECTIVES DE RETOUR DE MARCHANDISES

- Tous les produits doivent être retournés dans leur emballage d'origine ou équivalent. Les retours mal emballés ne seront pas acceptés.
- Il doit avoir un emballage adéquat pour le transport.
- La loi fédérale exige que toutes les machines qui utilisent de l'essence, de l'huile ou d'autres liquides inflammables doivent être vidangées complètement et exhaustivement avant l'expédition.
- Les bouchons de gaz et les bouchons d'huile doivent être laissés fermés pendant 24 heures avant l'expédition. Veuillez noter: la responsabilité de cette violation de la loi incombe à l'expéditeur de l'envoi.
- Retour à l'adresse fournie dans l'autorisation de retour, en utilisant le service de colis requis.
- Les équipements retournés sans autorisation ne seront pas acceptés.
- Veuillez noter: aucun remboursement ne sera accordé pour les articles qui ont été modifiés ou endommagés par un abus ou une utilisation non conforme aux instructions du produit.



Fontana, CA 92337 USA
Téléphone: 1-855-888-3598
support@a-ipower.com
www.a-ipower.com
Fabriqué au Vietnam



A-IPower WARRANTY REGISTRATION FORM

Register your product by emailing this form to support@a-ipower.com or register on-line at: www.a-ipower.com.

Registering your product is important , it provides the following protections:

1. You have record of product purchased
2. Customer Service can Better serve you for Warranty related issues
3. We can contact you in the unlikely event should notification is necessary

Customer Information:

Name: _____
 Phone: _____
 E-mail: _____
 Address: _____
 City, State: _____
 Zip code: _____
 Purchase Date: _____

Product Information:

Serial # _____

Model # _____

The serial No. can be found on the engine.
PLEASE NOTE: Your product cannot be registered without model & serial numbers.

- 1.THE PRODUCT WAS PURCHASED FOR: A. Residential cleaning
 B. Other _____
- 2.THIS PRODUCT IS A: (select one)
 A. First time purchase
 B. Replacement
- 3.HOW DID YOU FIRST LEARN OF THIS PRODUCT: (select one)
 A. Radio
 B. Store Display
 C. Contractor
 D. Trade Show
 G. Direct Mail
 H. From Friend/Relative/Neighbor
 I. Internet
 J. Other _____

4. PLEASE RATE THE FOLLOWING:	Completely Satisfied				Not at all Satisfied
	5	4	3	2	1
Product Value for Price Paid	<input type="checkbox"/>	<input type="checkbox"/>	<input type="checkbox"/>	<input type="checkbox"/>	<input type="checkbox"/>
Performance	<input type="checkbox"/>	<input type="checkbox"/>	<input type="checkbox"/>	<input type="checkbox"/>	<input type="checkbox"/>
Features	<input type="checkbox"/>	<input type="checkbox"/>	<input type="checkbox"/>	<input type="checkbox"/>	<input type="checkbox"/>
Product Appearance	<input type="checkbox"/>	<input type="checkbox"/>	<input type="checkbox"/>	<input type="checkbox"/>	<input type="checkbox"/>
Warranty	<input type="checkbox"/>	<input type="checkbox"/>	<input type="checkbox"/>	<input type="checkbox"/>	<input type="checkbox"/>
Ease of Maintenance	<input type="checkbox"/>	<input type="checkbox"/>	<input type="checkbox"/>	<input type="checkbox"/>	<input type="checkbox"/>
Noise Level	<input type="checkbox"/>	<input type="checkbox"/>	<input type="checkbox"/>	<input type="checkbox"/>	<input type="checkbox"/>

5 . HOW LIKELY ARE YOU TO RECOMMEND A-IPower TO FAMILY OR FRIENDS?

	Extremely Likely			Not Likely at all	
	5	4	3	2	1
	<input type="checkbox"/>	<input type="checkbox"/>	<input type="checkbox"/>	<input type="checkbox"/>	<input type="checkbox"/>

Privacy Statement: A-ipower is committed to respecting your privacy and to complying with the regulations regarding the protection of personal data. The survey data we collect is for the purposes of marketing or product support and demographic information about the entire audience registering their products.



Fontana, CA 92337 USA
Téléphone: 1-855-888-3598
support@a-ipower.com
www.a-ipower.com
Fabriqué au Vietnam