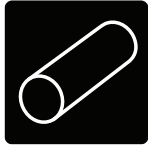


- **High Output:** 2700 PSI @ 2.4 GPM for outstanding cleaning power
- **Performance Series Engine:** 196cc OHV horizontal shaft engine
- **Robust Pump:** Three piston axial pump with aluminum head for durable, long-term use
- **Extra Long Hose:** 25' long co-extrude high pressure hose provides an easy to move workspace
- **Quick Connect Wand and Nozzles:** 5 Pro-Style nozzles for easy connection and cleaning management
- **Folding Frame Construction:** Easy to use folding handle and locking knobs provides compact storage with rugged durability
- **Portable Design:** 12" never flat wheels provide excellent portability



PWF2700SH

Rubber Grip



Accessory Panel



5-Piece PRO Style Nozzles Included



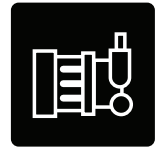
Trigger Gun and Wand



High Pressure Hose



Three Piston Axial Pump with Aluminum Head



196cc OHV Engine



Integrated Soap Tank



12.0" Flat Free Wheel



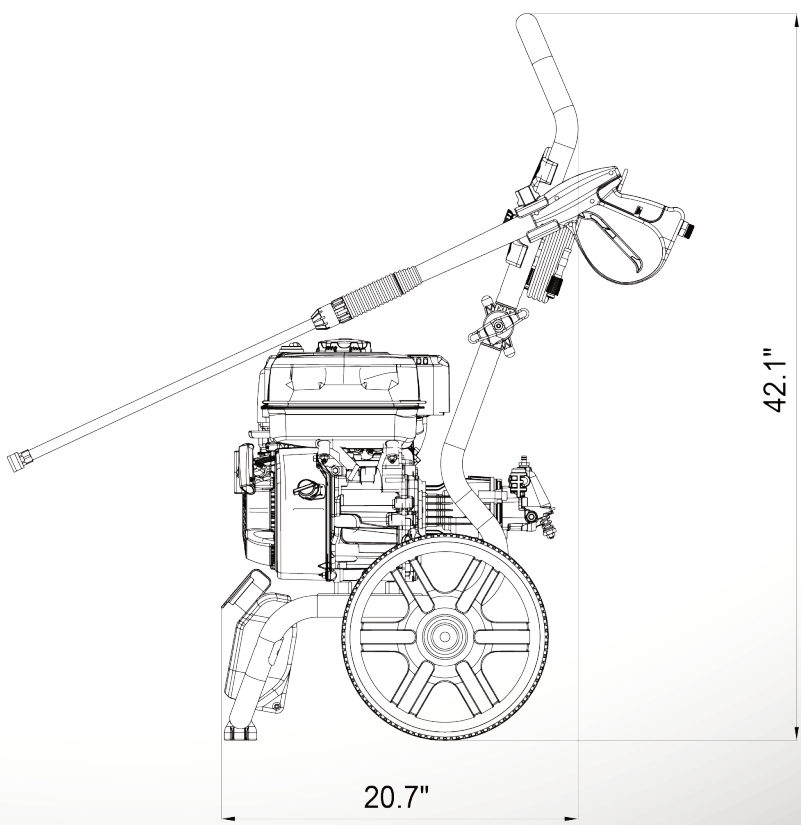
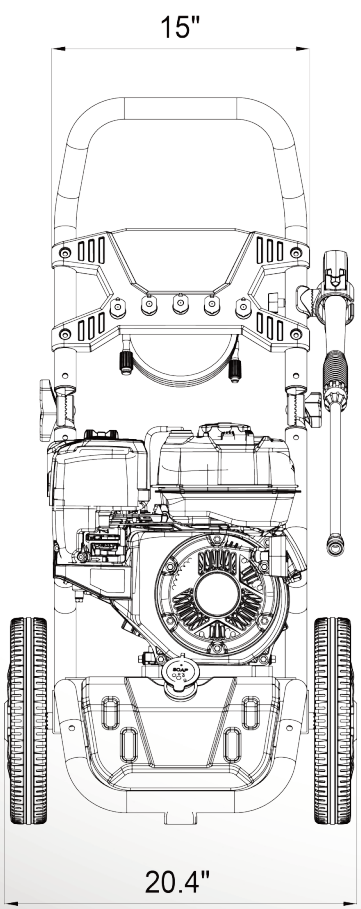
Model Number	PWF2700SH
Max Pressure (PSI)	2700
Max Flow (GPM)	2.4
Engine Type	Single Cylinder 196cc - 4 Stroke OHV
Starting System	Recoil Start
Fuel Type	Gasoline
Low Oil Shutdown	Yes
Cast Iron Sleeve	No
Oil Type and Capacity	10W-30 - 600 ml
Pump Brand	WTL
Pump Type	Axial, Three Piston
Hot / Cold Water	Cold
Lubrication Method	Splash
Chemical Injector	Yes
Handle	Folding / Locking Knobs
Wheel	Flat Free 12"
Accessories Included	Oil, Funnel, Spark Plug Wrench, Manual, Nozzle Cleaning Tool, Quick Start Guide
Warranty (Residential)	2 Year
Carton LxWxH	22.83" X 21.82" X 21.7"
Unit Weight	66.0 lbs.
Shipping Weight	70.0 lbs.
UPC	850013862658

PWF2700SH



INCLUDED

- Oil
- Funnel
- Spark Plug Wrench
- Manual
- Nozzle
- Cleaning Tool
- Quick Start Guide



www.a-ipower.com
10887 Commerce Way, Unit A
Fontana CA 92337- 8240



Phone: 855-888-3598
Fax: 909-930-3719
support@a-ipower.com
Mon-Fri 8:00 AM to 4:30 PM PST

LEARN MORE HERE

