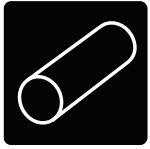


- **High Output:** 2000 PSI @ 1.2 GPM for outstanding cleaning power
- **Electric Powered:** Equipped with an AC plug and push button starting system for quick and convenient use
- **Robust Pump:** Three piston axial pump for durable, long-term use
- **Extra Long Hose:** 25' long co-extrude high pressure hose provides an easy to move workspace
- **Nozzles & Soap Tank:** 4 Pro-Style nozzles and integrated soap tank for efficient cleaning power
- **Compact & Lightweight:** Weighs only 28.7 lbs / 13.0 kg, allowing for convenient storage and effortless portability
- **Portable Design:** 8" never flat wheels provide excellent portability



PWE2000

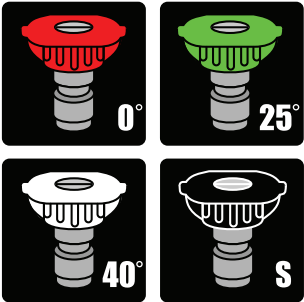
Rubber Grip



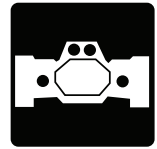
Extra Light Frame



4-Piece PRO Style Nozzles Included



Accessory Panel



High Pressure Hose



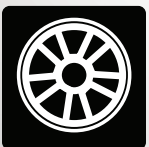
Push Button Start



Easy To Use Quick Connector



8.0" Flat Free Wheel



Trigger Gun and Wand



Integrated Soap Tank



Three Piston Axial Pump with Aluminum Head



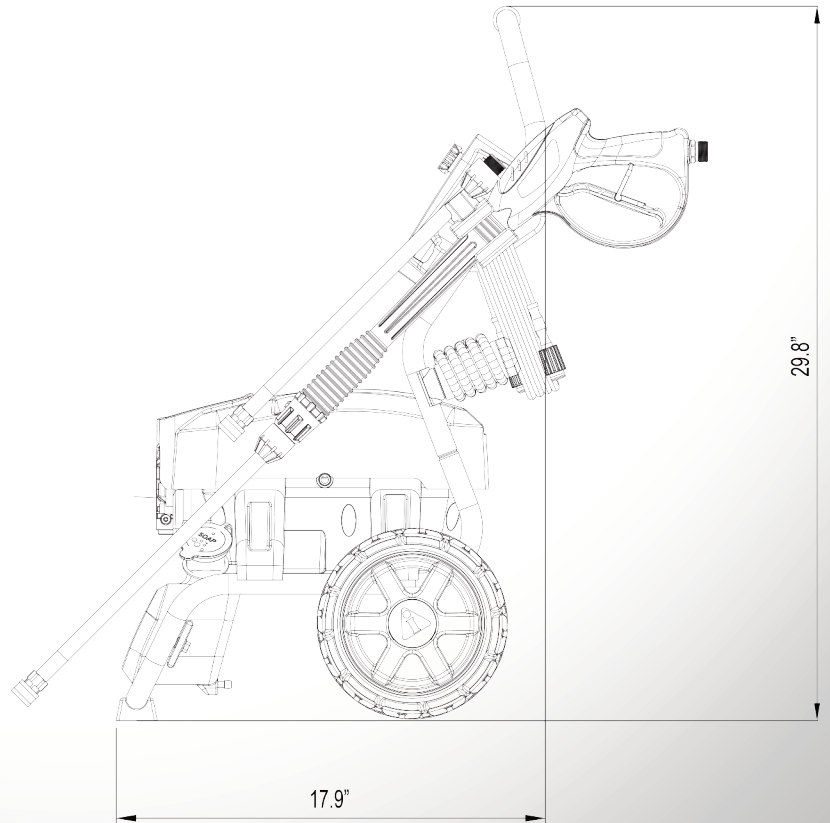
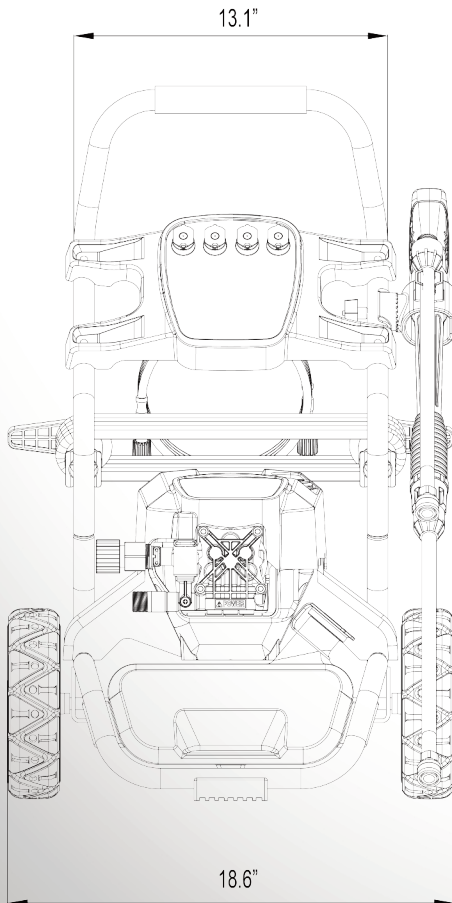
SOAP Automatic Soap Dilution 20:1 Dilution Ratio BLEACH

POWER 2000™ 1.2™ Electric Power

PWE2000

Max Pressure (PSI)	2000
Max Flow (GPM)	1.2
Motor Type	120V, 14.5 A, 60 Hz
Starting System	Push Button
Power	AC, Electric
Pump Type	Axial, Three Piston
Hot / Cold Water	Cold
Hose	25' - High Pressure
Chemical Injector	Yes
Handle	Fixed / Snap Pin Installation
Wheel	Flat Free 8"
Turbo Nozzle	Yes
Accessories Included	Tools, Manual, Nozzle Cleaning Tool, Quick Start Guide
Warranty (Residential)	2 Year
Unit Weight	28.7 lbs / 13.0 kg
Shipping Weight	34.2 lbs / 15.5 kg
Unit LxWxH	18.5 x 18.9 x 29.8 in / 47.0 x 48.0 x 75.8 cm
Carton LxWxH	18.9 x 14.4 x 18.5 in / 48.0 x 36.5 x 47.0 cm
UPC	850016881014

PWE2000



www.a-ipower.com
10887 Commerce Way, Unit A
Fontana CA 92337- 8240



Phone: 855-888-3598
Fax: 909-930-3719
support@a-ipower.com
Mon-Fri 8:00 AM to 4:30 PM PST

LEARN MORE HERE

