

- **High Output:** 1800 PSI @ 1.1 GPM for outstanding cleaning power
- **Electric Powered:** Equipped with an AC GFCI Protected plug and push button starting system for quick and convenient use
- **Robust Pump:** Three piston axial pump for durable, long-term use
- **Extra Long Hose:** 25' long co-extrude high pressure hose provides an easy to move workspace
- **Soap Cannon and Nozzles:** 2 Pro-Style nozzles and foam cannon for efficient cleaning power
- **Compact & Lightweight:** Weighting at 23 lbs. allows for convenient storage and portability
- **Portable Design:** Handheld frame design provides balanced weight distribution for excellent portability

Ready To Go Out Of The Box:

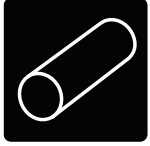


PWE1801

Included:



Rubber Grip



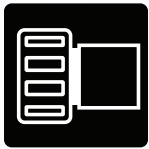
Push Button Start



2-Piece PRO Style Nozzles Included



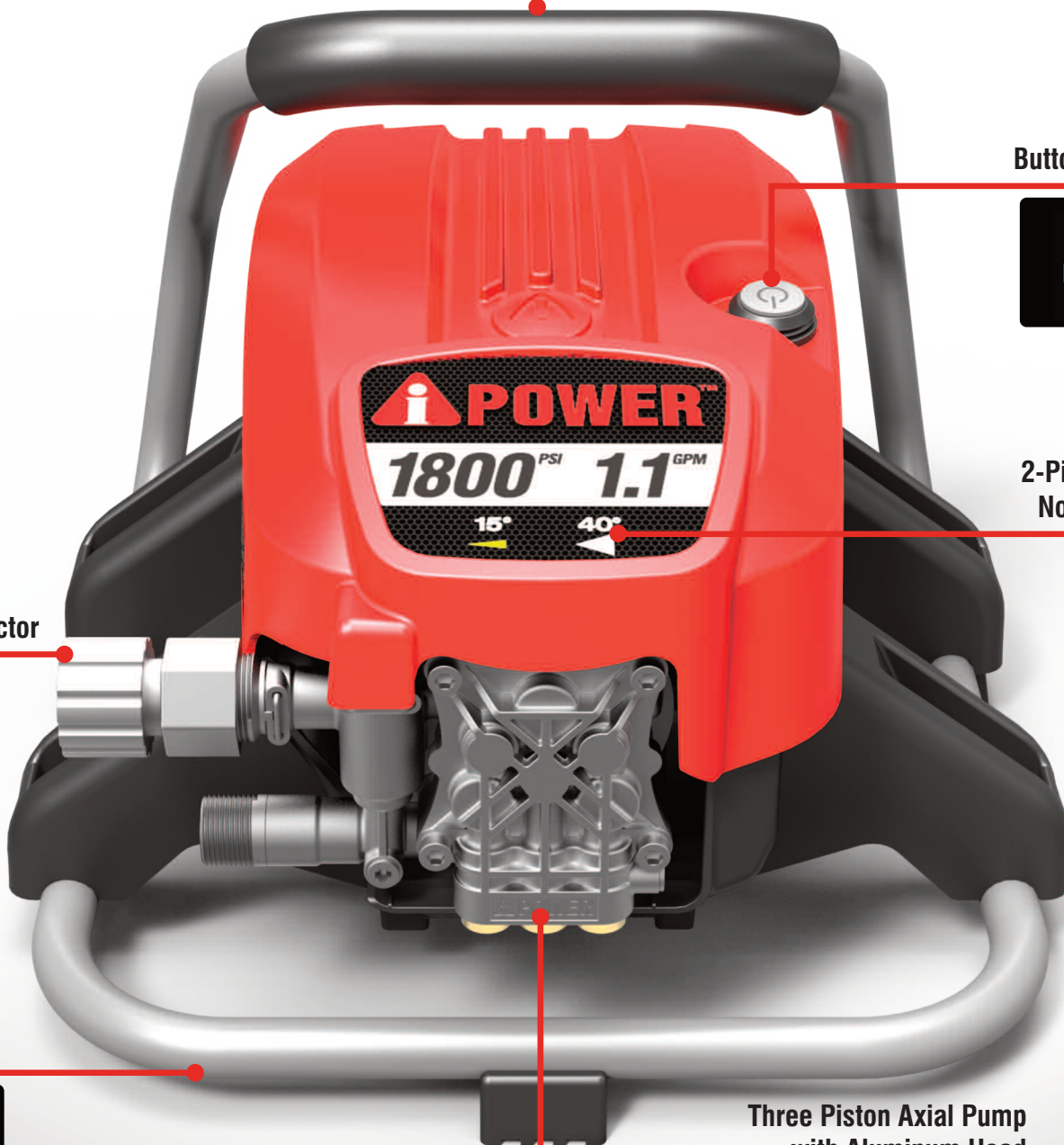
Easy To Use Quick Connector



Extra Light Frame

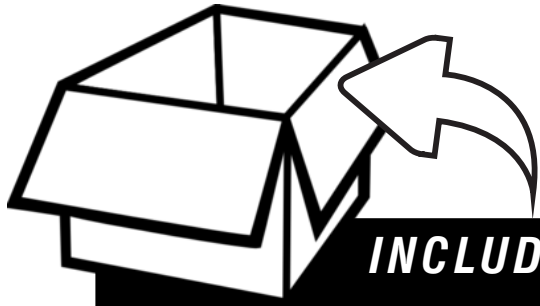


Three Piston Axial Pump with Aluminum Head



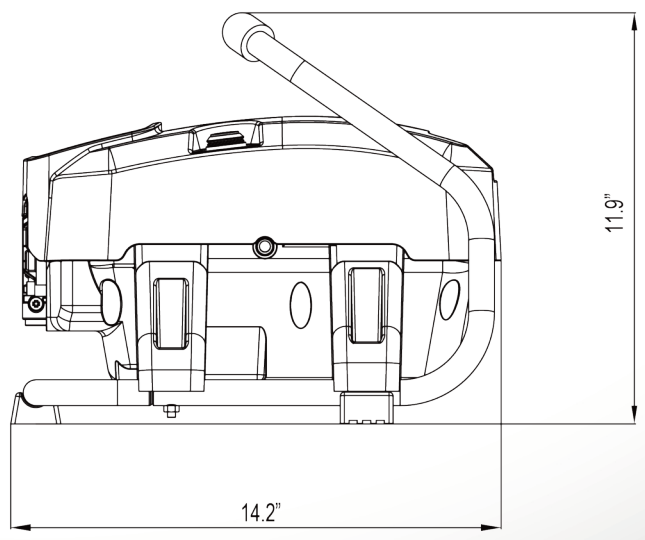
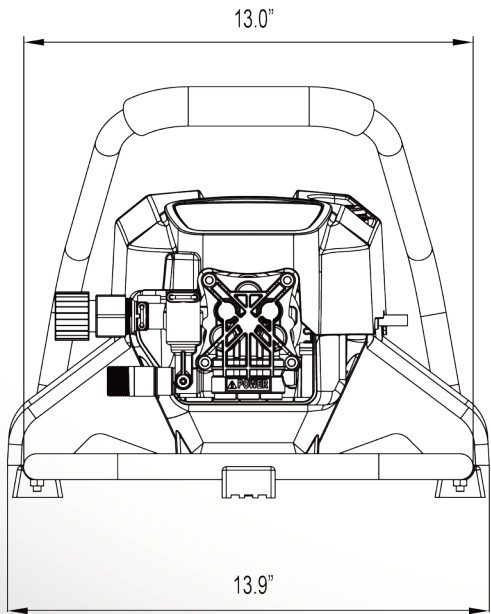
Model Number	PWE1801
Max Pressure (PSI)	1800
Max Flow (GPM)	1.1
Motor Type	120V, 13.5 A, 60 Hz
Starting System	Push Button
Power	AC, Electric
Pump Type	Axial, Three Piston
Hot / Cold Water	Cold
Lubrication Method	Splash
Chemical Injector	No
Handle	Fixed / Assembled
Wheel	No
Accessories Included	Soap Cannon, Manual, Nozzle Cleaning Tool
Warranty (Residential)	2 Year
Carton LxWxH	17.9" X 15.9" X 13"
Unit Weight	23.0 lbs.
Shipping Weight	26.5.0 lbs.
UPC	850013862504

PWE1801



INCLUDED

Soap Cannon, Manual, Nozzle Cleaning Tool



www.a-ipower.com
 10887 Commerce Way, Unit A
 Fontana CA 92337- 8240



Phone: 855-888-3598
Fax: 909-930-3719
support@a-ipower.com
 Mon-Fri 8:00 AM to 4:30 PM PST

LEARN MORE HERE

