

- **Powerful:** 80cc OHV High Performance 4 Cycle Engine
- **High Output:** 2,000 Starting Watts - 1,600 Running Watts
- **Pure Power:** <3% THD of clean power output, sensitive electronics safe
- **Low Idle Technology:** Extended run time of 10 hrs at 25% load
- **Quiet Operation:** As low as 52 dB - ideal for home, camping, tailgating & RV
- **Parallel Equipped:** Complete with parallel ports for double the power output when linked together
- **Compact Design:** Lightweight for easy transportation with integrated handle

 DIGITAL INVERTER TECHNOLOGY



SUA2000i

Integrated Top Handle



1.1-Gal Tank with 10 Hour Runtime



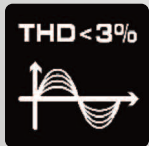
Quiet Tone Muffler



80cc Recoil Start Engine



Full Copper Permanent Magnet Alternator with < 3% THD



Light Weight For Easy Mobility

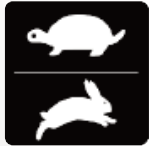


Status Indicator Lights

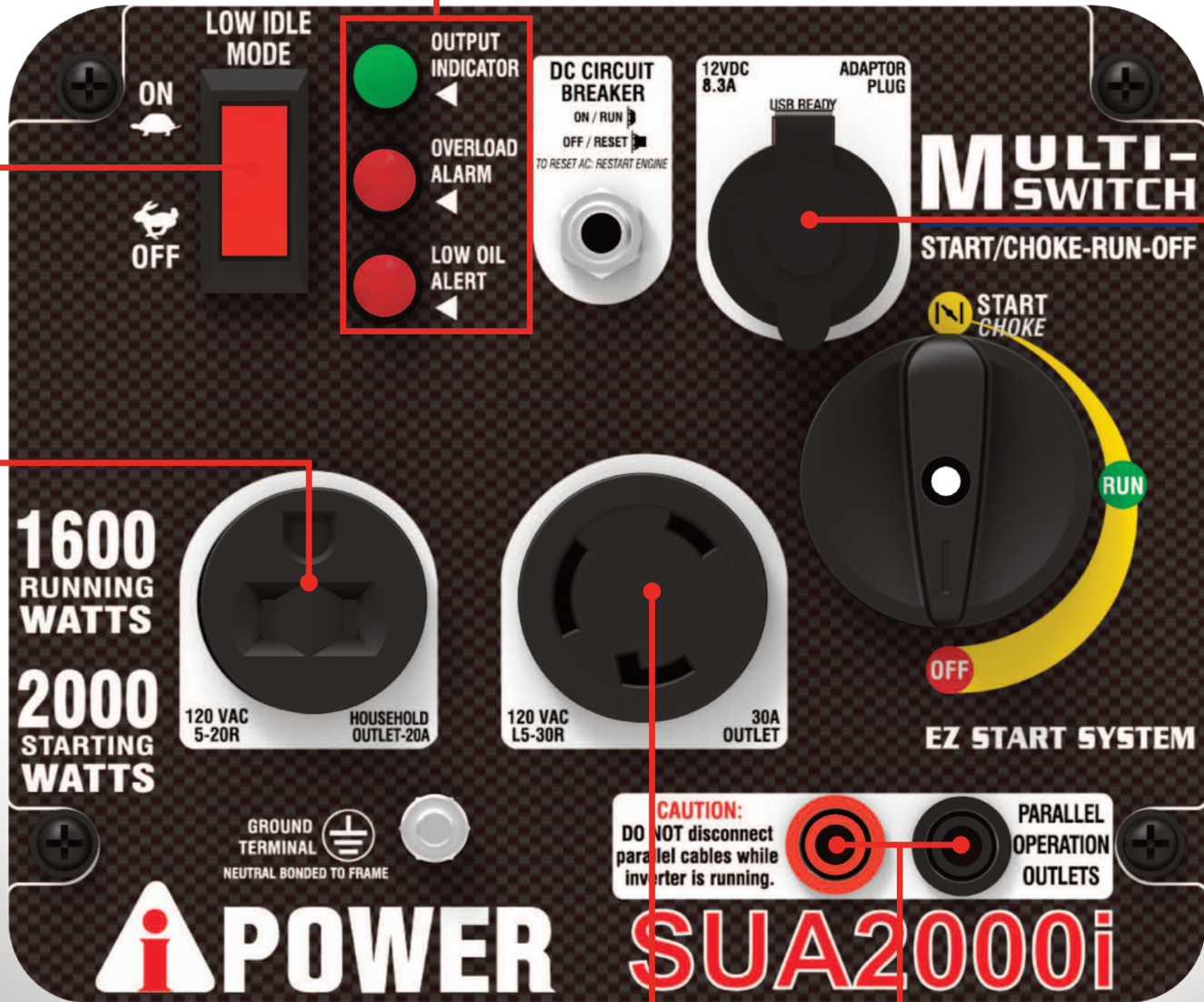
SUA2000i



Low Idle



5-20R 20A, 120VAC



DC Outlet:
8.3A, 12VDC
Automotive Outlet



L5-30R 30A,
120VAC



Fully Integrated
Parallel Capability



SUA2000i

Model Number	SUA2000i
Starting/Running Watts	2000/1600W
Certifications	EPA - CARB
AC Voltage	120V
Rated Speed/Frequency	Variable/60Hz
Total Harmonic Distortion (THD)	< 3%
Grounding System	Neutral Bonded to Frame
Noise Level (dB)	52
Engine Type	Single Cylinder 80cc - 4 Stroke OHV
Starting System	Recoil Start
Low Oil Shtdown	Yes
Cast Iron Sleeve	Yes
Fuel Type	Gasoline
Oil Type and Capacity	10W-30 - 380ml
Low Idle	Yes
Alternator Type	Permanent Magnet - Inverter
Tank	1.1 Gal
Runtime @25% Load	10.0 Hour
Handle	Integrated (Built in)
AC Outlets	1x5-20R (20A, 120V) - 1xL5-30R (30A, 120V)
DC Outlets	1xAutomotive Style Outlet (8.3A, 12V)
Parallel Capability	Yes
Indicator LED	Output Ready - Overload - Low Oil
Included	Funnel, Tool Kit, 30A RV Adaptor, 12VDC Battery Charging Cable, Parallel Cable, Manual, Quick Start Guide
Warranty (Residential)	3 Year
Carton LxWxH	20.9x12.4x19.3inch
Unit Weight	48.5lbs
Shipping Weight	55.1lbs
UPC	851217006060



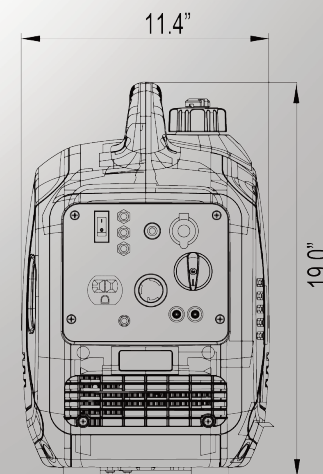
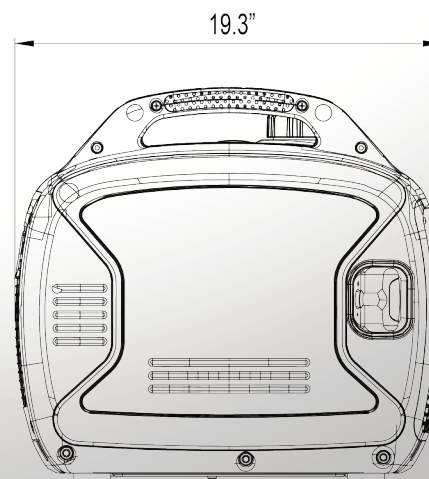
FULL PARALLEL INTEGRATION*



**DOUBLES YOUR POWER
ONCE CONNECTED**

Parallel cables included.
Read manual for full instructions.

*NOTE: Maximum output is obtained from the L5-30 twist lock receptacle.
* Requires second SUA2000i sold separately.*



www.a-ipower.com
10887 Commerce Way, Unit A
Fontana CA 92337- 8240



Phone: 855-888-3598
Fax: 909-930-3719
support@a-ipower.com
Mon-Fri 8:00 AM to 4:30 PM PST

LEARN MORE HERE

