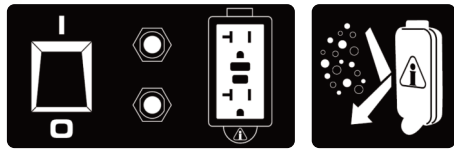




- **Performance Series Engine:** 459cc OHV engine with Cast Iron Sleeve & Low Oil Shutdown
- **High Output:** 12,000 starting watts - 9,000 running watts on gasoline
- **Run Time:** 7-gallon fuel tank for extended run time of 14 hrs. at 25% load
- **Electric Start:** Convenient push button electric start system for quick and easy use
- **Rubber Outlet Covers:** Help guard against moisture, dust and debris
- **Heavy Duty Frame Construction:** Built tough with durable powdercoat finish
- **Portable Design:** Easy to transport with folding handle and wheels

# SUA12000E

Multi-Features Panel With  
Outlet Covers



7.0 Gal Tank Built-In Gauge  
14 Hour Runtime



Heavy Duty  
Frame



Folding  
Handle



Brushed Alternator  
With AVR



Electric Start and  
Recoil Start, 459cc Engine



9.5" Flat  
Free Wheel



# SUA12000E

Hour  
Meter



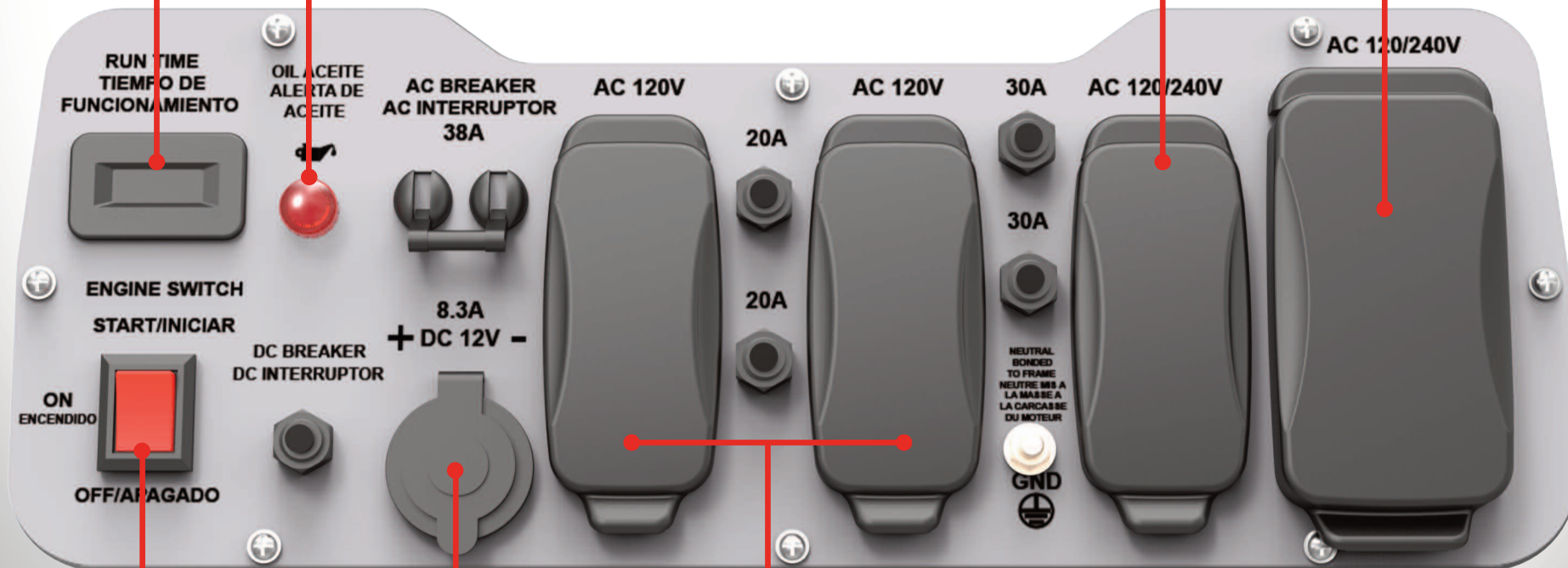
Low Oil  
Indicator



L14-30R  
30A, 120/240V



14-50R  
50A, 120/240V



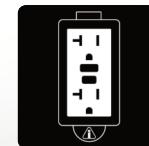
Electric Start  
Engine Switch



DC Outlet: 8.3A,  
12VDC Automotive Outlet

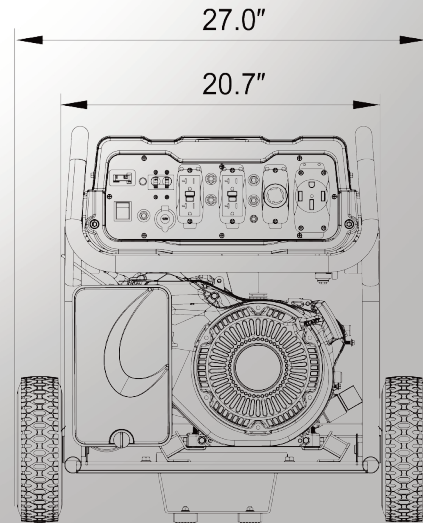
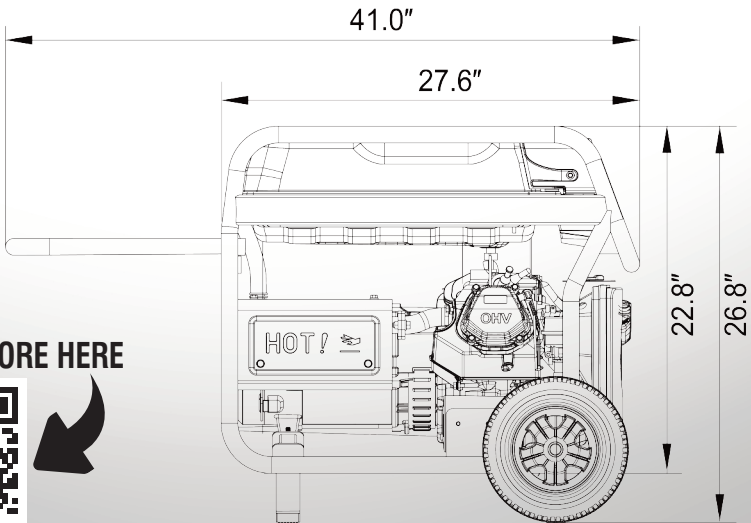
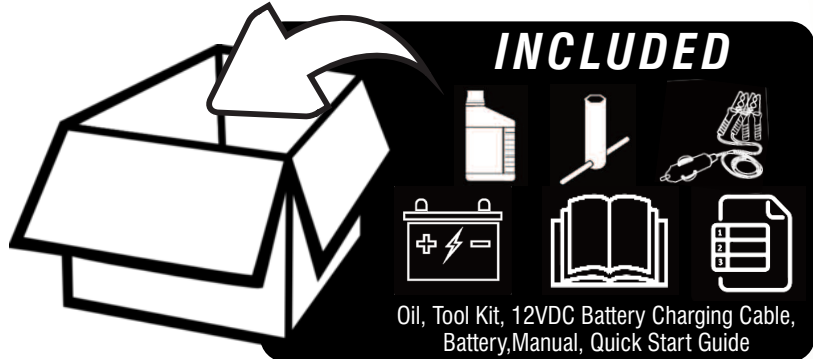


2x5-20R  
Duplex GFCI 20A, 120V



Model Number	SUA12000E
Starting/Running Watts	12000/9000W
Certifications	EPA
AC Voltage	120/240V
Rated Speed/Frequency	3600rpm/60Hz
Total Harmonic Distortion (THD)	Standard
Grounding System	Neutral Bonded to Frame
Noise Level (dB)	78
Engine Type	Single Cylinder 459cc - 4 Stroke OHV
Starting System	Recoil Start - Electric Start
Low Oil Shtdown	Yes
Cast Iron Sleeve	Yes
Fuel Type	Gasoline
Oil Type and Capacity	10W-30 - 1100ml
Alternator Type	Brushed with AVR
Tank	7.0 Gal
Runtime @25% Load	14.0 Hour
Handle	Folding U Shape
Wheel	Flat Free 9.5"
AC Outlets	2x5-20R Duplex GFCI (20A, 120V) - 1xL14-30R (30A, 120/240V) - 1x14-50R (50A, 120/240V)
DC Outlets	1xAutomotive Style Outlet (8.3A, 12V)
Hour Meter	Yes
Included	Oil, Tool Kit, 12VDC Battery Charging Cable, Battery, Manual, Quick Start Guide
Warranty (Resedential)	2 year
Carton LxWxH	28.0x21.3x24.4 inch
Unit Weight	206 lbs
Shipping Weight	216 lbs
UPC	851217006114

# SUA12000E



www.a-ipower.com  
 10887 Commerce Way, Unit A  
 Fontana CA 92337- 8240



Phone: 855-888-3598  
 Fax: 909-930-3719  
 support@a-ipower.com  
 Mon-Fri 8:00 AM to 4:30 PM PST

LEARN MORE HERE

