

- **Performance Series Engine:** 459cc OHV engine with Cast Iron Sleeve & Low Oil Shutdown
- **High Output:** 12,000 starting watts - 9,000 running watts on gasoline; 10,800 starting watts - 8,100 running watts on propane
- **Run Time:** 7-gallon fuel tank for extended run time of 14 hrs. at 25% load
- **Electric Start:** Convenient push button electric start system for quick and easy use
- **Rubber Outlet Covers:** Help guard against moisture, dust and debris
- **Heavy Duty Frame Construction:** Built tough with durable powdercoat finish
- **Portable Design:** Easy to transport with folding handle and wheels

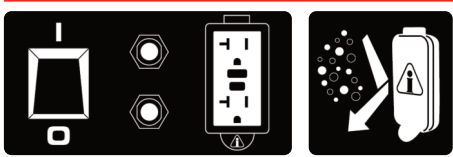


Dual Fuel Generator



SUA12000ED

Multi-Features Panel With Outlet Covers



7.0 Gal Tank Built-In Gauge
14 Hour Runtime - Gas



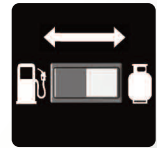
Heavy Duty Frame



Folding Handle



Fuel Selector Switch



Brushed Alternator With AVR



Electric Start and Recoil Start, 459cc Engine



9.5" Flat Free Wheel

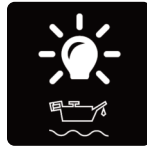


SUA12000ED

Hour
Meter



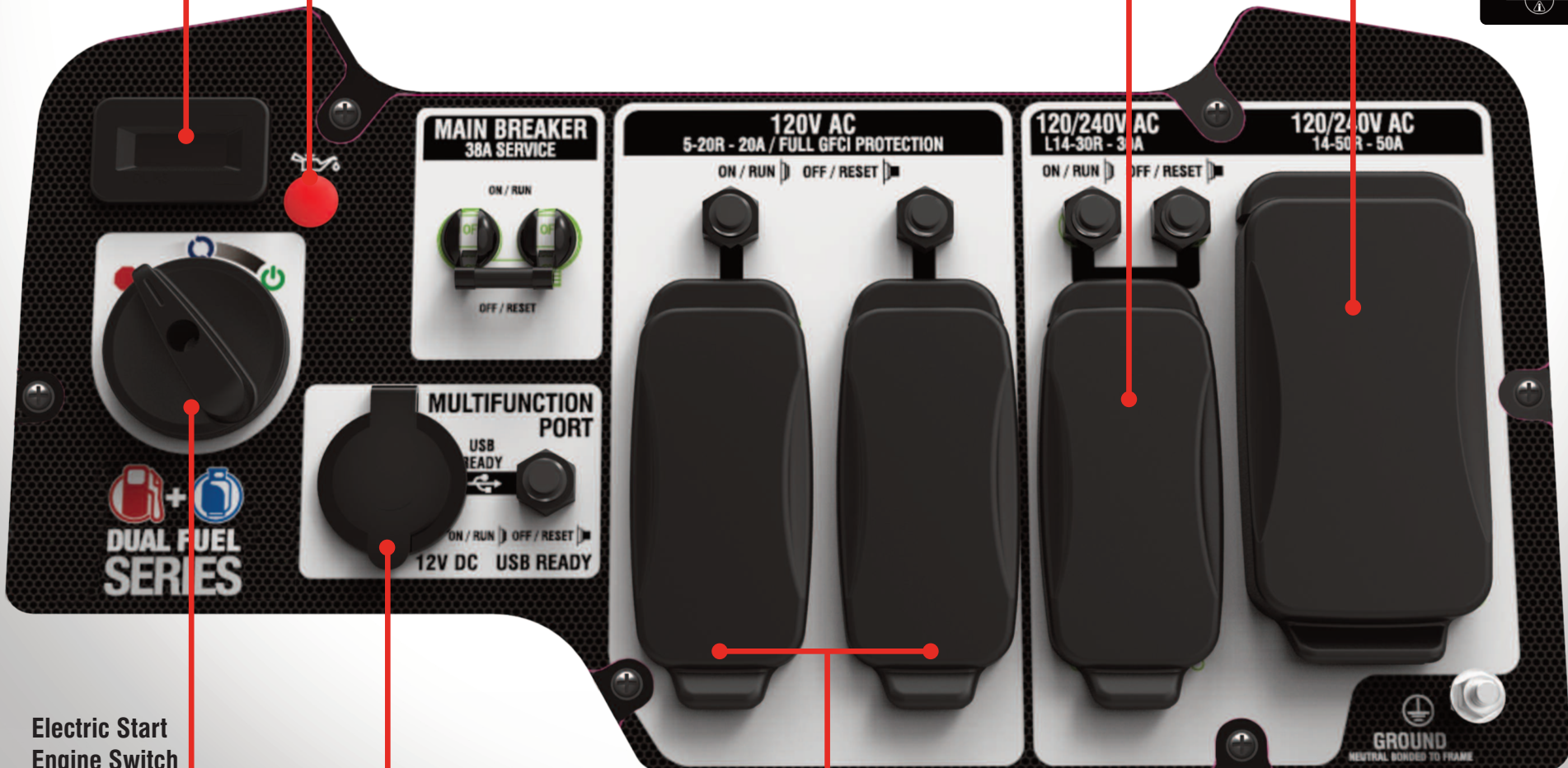
Low Oil
Indicator



L14-30R
30A, 120/240V



14-50R
50A, 120/240V



Electric Start
Engine Switch



DC Outlet: 8.3A,
12VDC Automotive Outlet

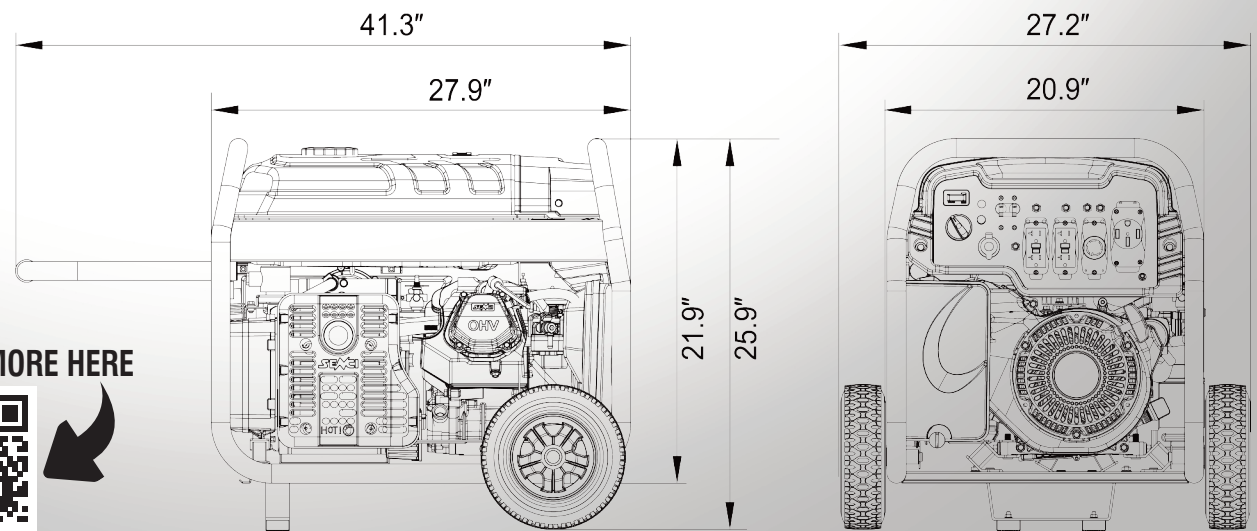
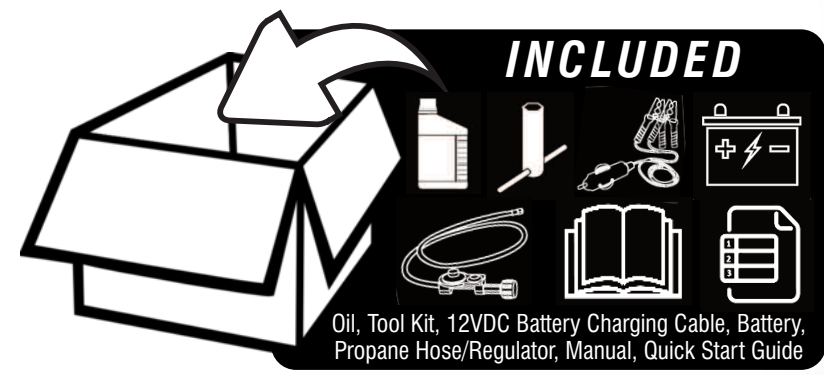


2x5-20R
Duplex GFCI 20A, 120V



Model Number	SUA12000ED
Starting/Running Watts (Gas)	12000/9000W
Starting/Running Watts (Propane)	10800/8100W
Certifications	EPA - CARB
AC Voltage	120/240V
Rated Speed/Frequency	3600rpm/60Hz
Total Harmonic Distortion (THD)	Standard
Grounding System	Neutral Bonded to Frame
Noise Level (dB)	78
Engine Type	Single Cylinder 459cc - 4 Stroke OHV
Starting System	Recoil Start - Electric Start
Low Oil Shtdown	Yes
Cast Iron Sleeve	Yes
Fuel Type	Gasoline - Propane
Oil Type and Capacity	10W-30 - 1100ml
Alternator Type	Brushed with AVR
Tank (Gas)	7.0 Gal
Runtime @25% Load (Gas)	14.0 Hour
Handle	Folding U Shape
Wheel	Flat Free 9.5"
AC Outlets	2x5-20R Duplex GFCI (20A, 120V) - 1xL14-30R (30A, 120/240V) - 1x14-50R (50A, 120/240V)
DC Outlets	1xAutomotive Style Outlet (8.3A, 12V)
Hour Meter	Yes
Included	Oil, Tool Kit, 12VDC Battery Charging Cable, Battery, Propane Hose/Regulator, Manual, Quick Start Guide
Warranty (Resedential)	2 year
Carton LxWxH	32.1x21.5x23.4 inch
Unit Weight	228 lbs
Shipping Weight	257.7 lbs
UPC	851217006428

SUA12000ED



www.a-ipower.com
 10887 Commerce Way, Unit A
 Fontana CA 92337- 8240



Phone: 855-888-3598
 Fax: 909-930-3719
 support@a-ipower.com
 Mon-Fri 8:00 AM to 4:30 PM PST

LEARN MORE HERE

