

- **Performance Series Engine:**
459cc OHV engine with Cast Iron Sleeve & Low Oil Shutdown
- **High Output:** 10,000 starting watts
- 8,200 running watts
- **Run Time:** 7-gallon fuel tank for extended run time of 14.5 hrs. at 25% load
- **Digital Hour Meter:** For quick and easy run time reading
- **Electric Start:** Convenient push button electric start system for quick and easy use
- **Heavy Duty Frame Construction:**
Built tough with durable powdercoat finish
- **Portable Design:** Easy to transport with folding handle and wheels



SUA10000EC

Multi-Features Panel With
Outlet Covers



7.0 Gal Tank Built-In Gauge
14.5 Hour Runtime



Heavy Duty
Frame



Folding
Handle



Brushed Alternator
With AVR



Electric Start and
Recoil Start, 459cc Engine



9.0" Flat
Free Wheel



SUA10000EC

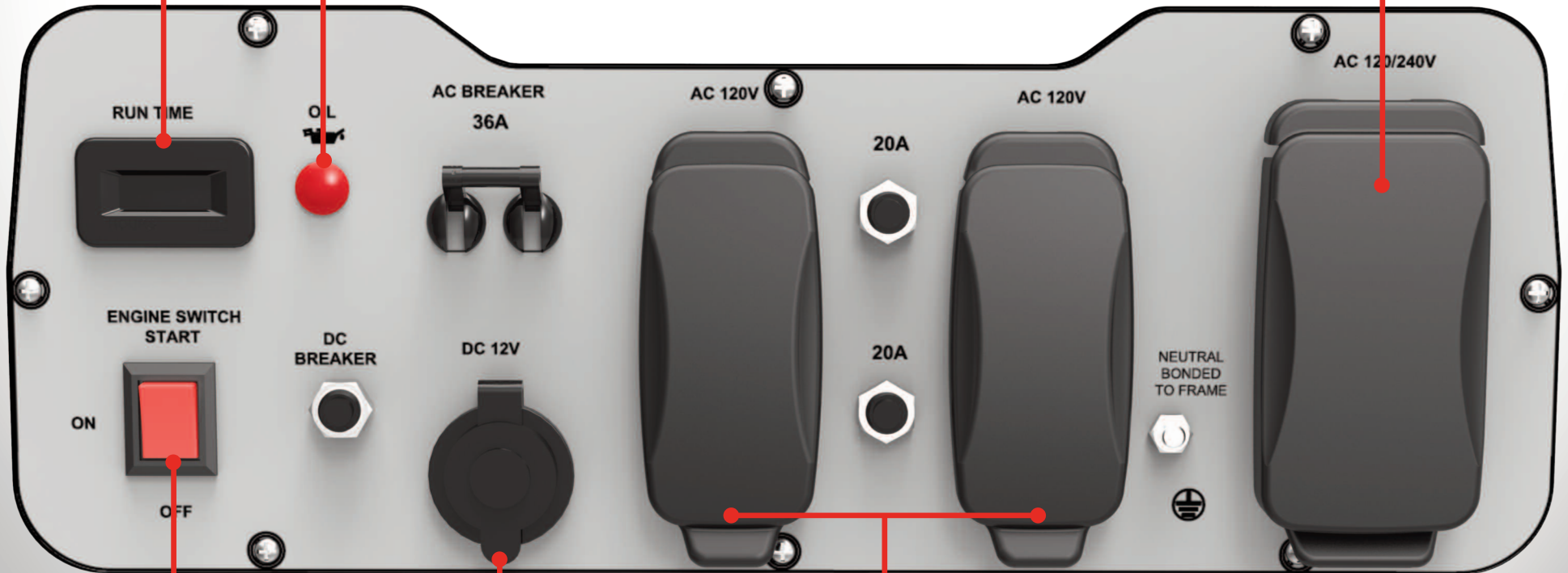
Hour
Meter



Low Oil
Indicator



14-50R
50A, 120/240V



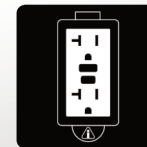
Electric Start
Engine Switch



DC Outlet: 8.3A,
12VDC Automotive Outlet

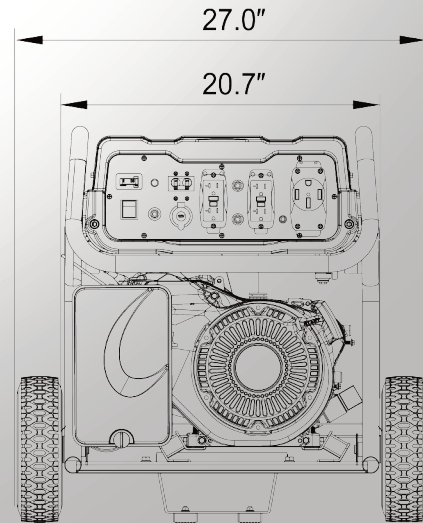
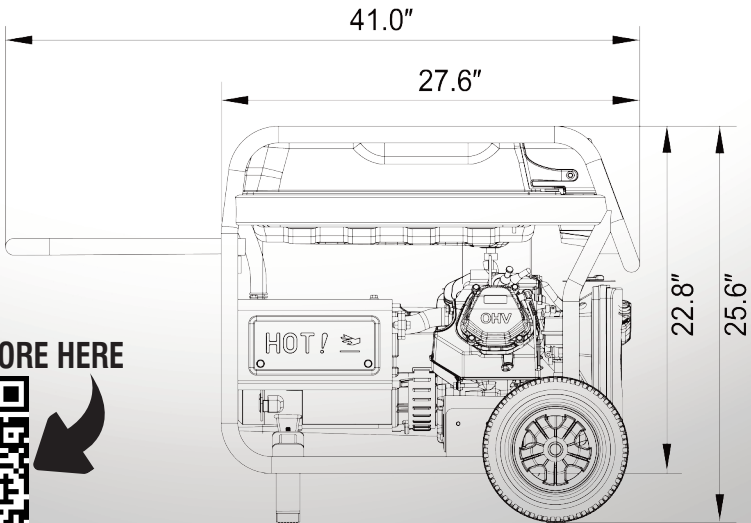
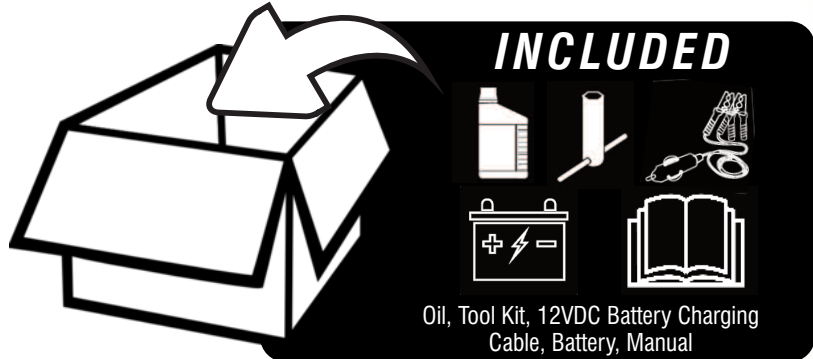


2x5-20R
Duplex GFCI 20A, 120V



Model Number	SUA10000EC
Starting/Running Watts	10000/8200W
Certifications	EPA - CARB
AC Voltage	120/240V
Rated Speed/Frequency	3600rpm/60Hz
Total Harmonic Distortion (THD)	Standard
Grounding System	Neutral Bonded to Frame
Noise Level (dB)	77
Engine Type	Single Cylinder 459cc - 4 Stroke OHV
Starting System	Recoil Start - Electric Start
Low Oil Shtdown	Yes
Cast Iron Sleeve	Yes
Fuel Type	Gasoline
Oil Type and Capacity	10W-30 - 1100ml
Alternator Type	Brushed with AVR
Tank	7.0 Gal
Runtime @25% Load	14.5 Hour
Handle	Folding U Shape
Wheel	Flat Free 9.0"
AC Outlets	2x5-20R Duplex GFCI (20A, 120V) - 1x14-50R (50A, 120/240V)
DC Outlets	1xAutomotive Style Outlet (8.3A, 12V)
Hour Meter	Yes
Included	Oil , Tool Kit, 12VDC Battery Charging Cable, Battery, Manual
Warranty (Resedential)	2 year
Carton LxWxH	28.0x21.1x23.1 inch
Unit Weight	216.0 lbs
Shipping Weight	227.1 lbs
UPC	616641365103

SUA10000EC



www.a-ipower.com
 10887 Commerce Way, Unit A
 Fontana CA 92337- 8240



Phone: 855-888-3598
 Fax: 909-930-3719
 support@a-ipower.com
 Mon-Fri 8:00 AM to 4:30 PM PST

LEARN MORE HERE

