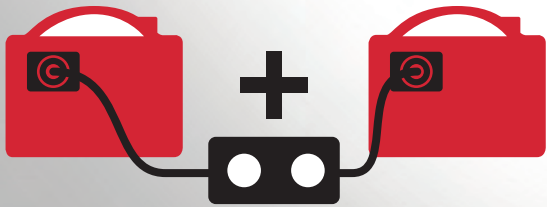
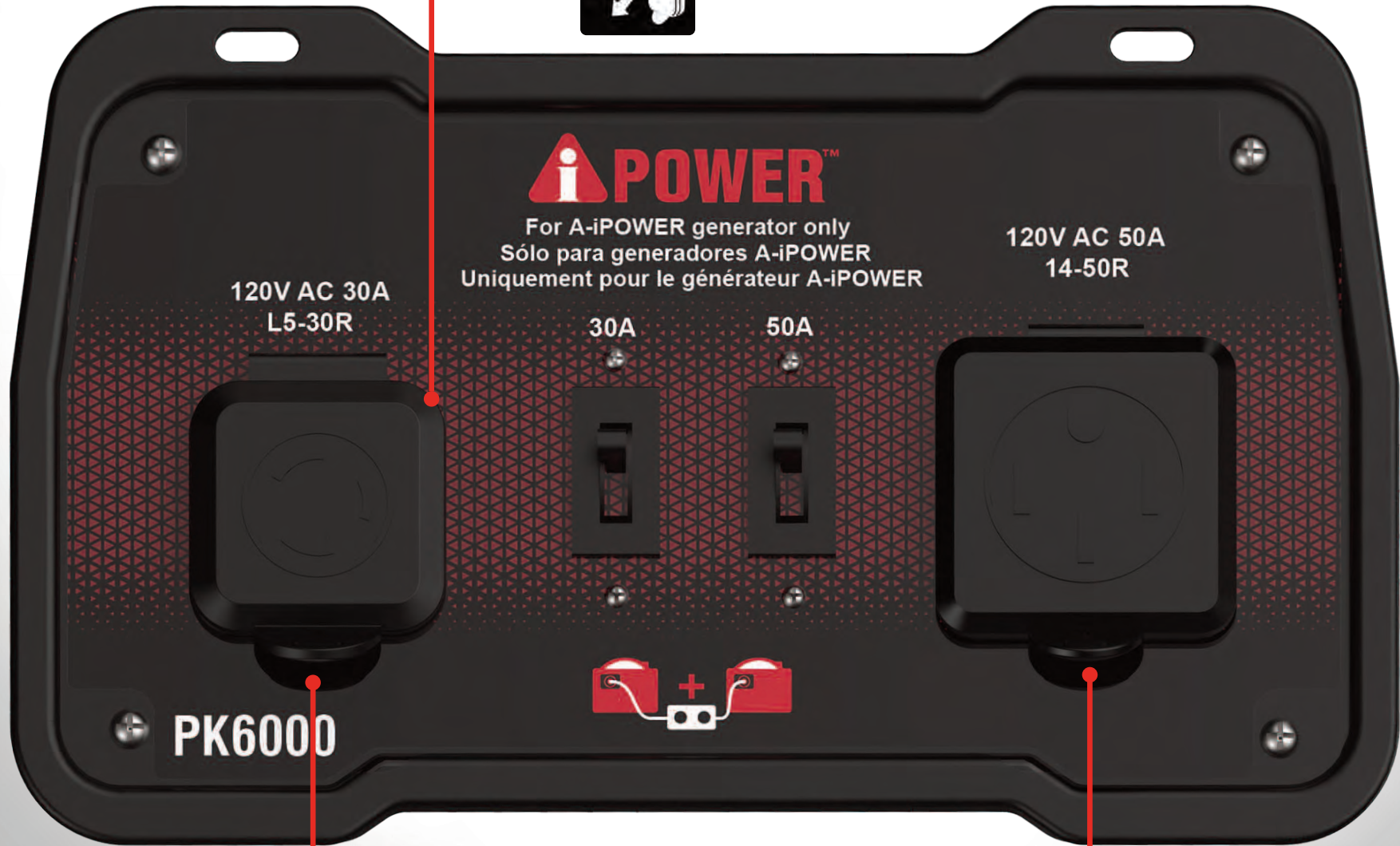


- **Parallel Kit:** Connect two A-iPower inverters together to double wattage output
- **Rated Power:** 6,000 watts rated power
- **Volts / Amps:** Rated voltage of 120V with 50A current
- **Purposely Designed:** For use with only A-iPower inverter technology - required for engine sizes greater than 80cc and less than 300cc
- **Integrated Outlet Covers:** Rubber outlet covers for protect against dust and debris
- **Output Receptacles:** (1) 120V AC 30A NEMA L5-30R & (1) 120V AC 50A NEMA 14-50R
- **Lightweight:** Weighs only 6.1lbs / 2.7 kg
- **Warranty:** Superior 1 year warranty with free lifetime technical support



PK6000

Integrated
Outlet Covers



AC Outlet:
(1) 120V AC 30A NEMA L5-30R



AC Outlet:
(1) 120V AC 50A NEMA 14-50R



PK6000 120V PARALLEL KIT

PK6000

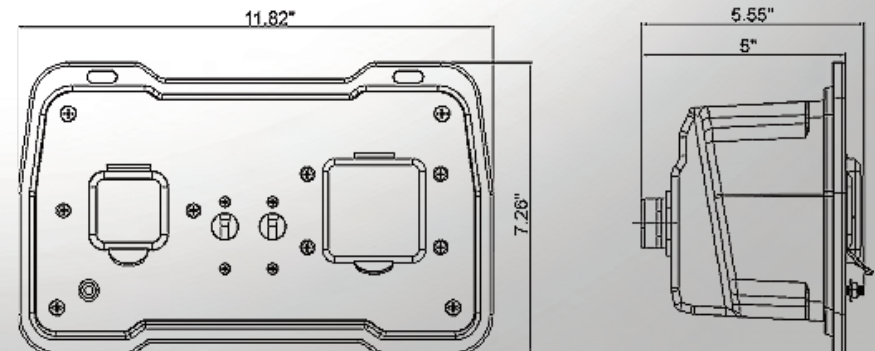
EASY CONNECTIVITY



FULL PARALLEL INTEGRATION*



* Requires (2) A-iPower Inverter Generators - Not Included



Rated Voltage	AC 120V
Rated Current	50A
Rated Power	6000W
Integrated Outlet Covers	Yes
Receptacles	120V AC 30A NEMA L5-30R x 1 120V AC 50A NEMA 14-50R x 1
Circuit Breakers	AC 1P-30A x 1 AC 1P-50A x 1
Accessories	Manual
Warranty	1 Year
Unit Weight - Net (lbs / kg)	6.1 lbs / 2.7 kg
Unit Weight - Gross (lbs / kg)	6.4 lbs / 2.9 kg
Carton LxWxH (inch / cm)	12.8 x 11.8 x 8.9 inch / 32.5 x 30.0 x 22.5 cm
UPC	850016881748

A-iPOWER

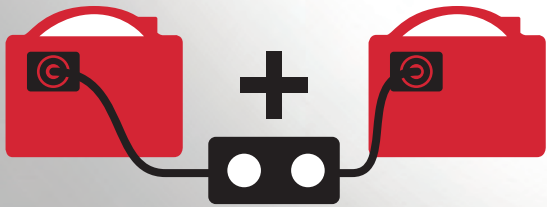
www.a-ipower.com
10887 Commerce Way, Unit A
Fontana CA 92337- 8240



Phone: 855-888-3598
Fax: 909-930-3719
support@a-ipower.com
Mon-Fri 8:00 AM to 4:30 PM PST

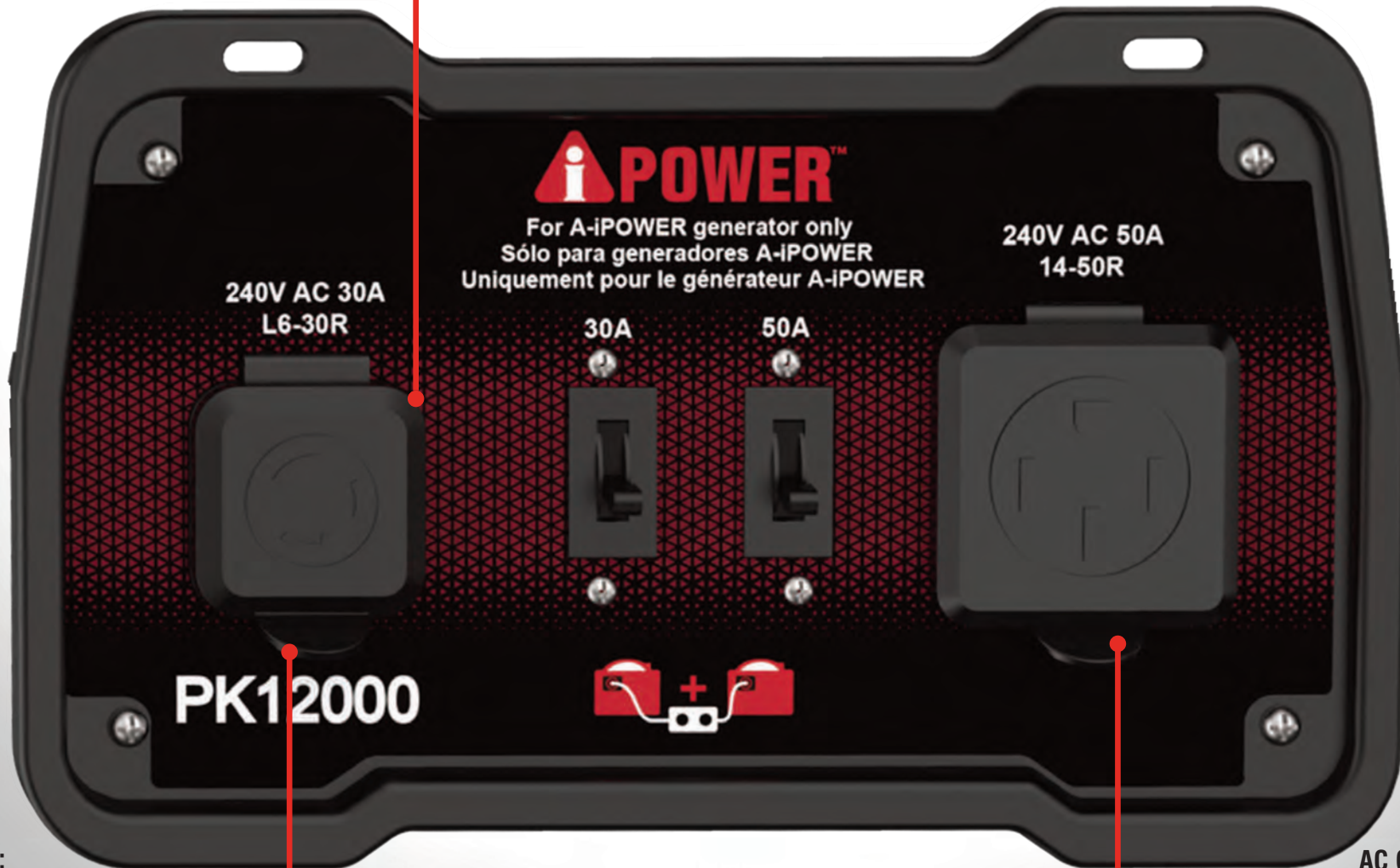


- **Parallel Kit:** Connect two A-iPower inverters together to double wattage output
- **Rated Power:** 12,000W
- **Volts / Amps:** Rated voltage of 240V with 50A current
- **Purposely Designed:** For use with only A-iPower inverter technology - required for engine sizes 322cc and larger
- **Integrated Outlet Covers:** Rubber outlet covers for protect against dust and debris
- **Output Receptacles:** (1) 240-Volt AC 30A L6-30R & (1) 240-Volt AC 50A 14-50R
- **Lightweight:** Weighs only 6.1lbs / 2.7 kg
- **Warranty:** Superior 1 year warranty with free lifetime technical support



PK12000

Integrated
Outlet Covers



AC Outlet:
(1) 240V AC 30A L6-30R

AC Outlet:
(1) 240V AC 50A 14-50R



PK12000 240V PARALLEL KIT

PK12000

EASY CONNECTIVITY

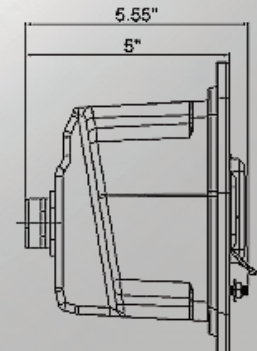
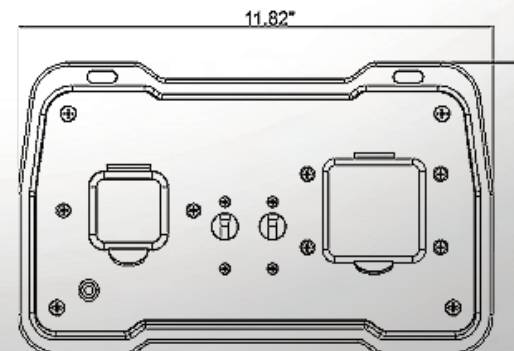


FULL PARALLEL INTEGRATION*



* Requires (2) A-iPower Inverter Generators - Not Included

Rated Voltage	AC 240V
Rated Current	50A
Rated Power	12000W
Integrated Outlet Covers	Yes
Receptacles	240-Volt AC 30A L6-30R x 1 240-Volt AC 50A 14-50R x 1
Circuit Breakers	AC 1P-30A x 1 AC 1P-50A x 1
Accessories	Manual
Warranty	1 Year
Unit Weight - Net (lbs / kg)	6.1 lbs / 2.7 kg
Unit Weight - Gross (lbs / kg)	6.4 lbs / 2.9 kg
Carton LxWxH (inch / cm)	12.8 x 8.5 x 7.3 inch / 32.5 x 21.5 x 18.5 cm
UPC	850016881427



A-iPOWER

www.a-ipower.com
10887 Commerce Way, Unit A
Fontana CA 92337- 8240

Phone: 855-888-3598
Fax: 909-930-3719
support@a-ipower.com
Mon-Fri 8:00 AM to 4:30 PM PST

