



- **Performance Series Engine:** 223cc OHV engine with Cast Iron Sleeve & Low Oil Shutdown
- **High Output:** 4,000 starting watts - 3,000 running watts
- **Run Time:** 4-gallon fuel tank for extended run time of 14.5 hrs. at 25% load
- **Digital Hour Meter:** For quick and easy run time reading
- **AC Outlets:** Complete with standard 20A-120V household (5-20R), 30A-120V Twistlock (L5-30R) and 30A-120V RV Outlet (TT-30R)
- **Heavy Duty Frame Construction:** Built tough with durable powder coat finish
- **Portable Design:** Easy to transport with folding handle and wheels



# AP4000

4.0 Gal Tank Built-In Gauge  
14.5 Hour Runtime

Multi-Features  
Panel



Heavy Duty  
Frame



Folding  
Handle



Recoil Start 223cc  
Engine



Brushed Alternator  
With AVR



7.0" Flat  
Free Wheel



**AP4000**  
Rated Voltage : 120V    Rated Amperage : 2  
Rated Frequency : 60Hz    Rated RPM : 3600  
Running Watts : 3000W    Starting Watts : 40

**STARTING INSTRUCTIONS**  
Check oil and fuel level. Disconnect entire electrical load from unit. Open fuel valve if so equipped. Adjust choke (Control air mixture). Set engine switch to OFF or STOP position. Do not leave generator until it has completely stopped. Close fuel valve (for electric start). Adjust choke as unit warms up.

**STOPPING INSTRUCTIONS**  
Remove entire electrical load and let unit run for 2 minutes. Set engine switch to OFF or STOP position. Do not leave generator until it has completely stopped. Close fuel valve for storage or transport if so equipped.

**WARNING**  
Read and understand all instructions before starting. To prevent burns, do not touch the exhaust system or engine until cool. Connect load area or while the engine is running. Allow the engine to cool for 2 minutes before refueling. Refueling. To avoid back burning into safety systems, location of the refueling interface system is not, a double throw transfer switch must be installed to avoid backflow or property damage, refer to customer electrical system.

# AP4000

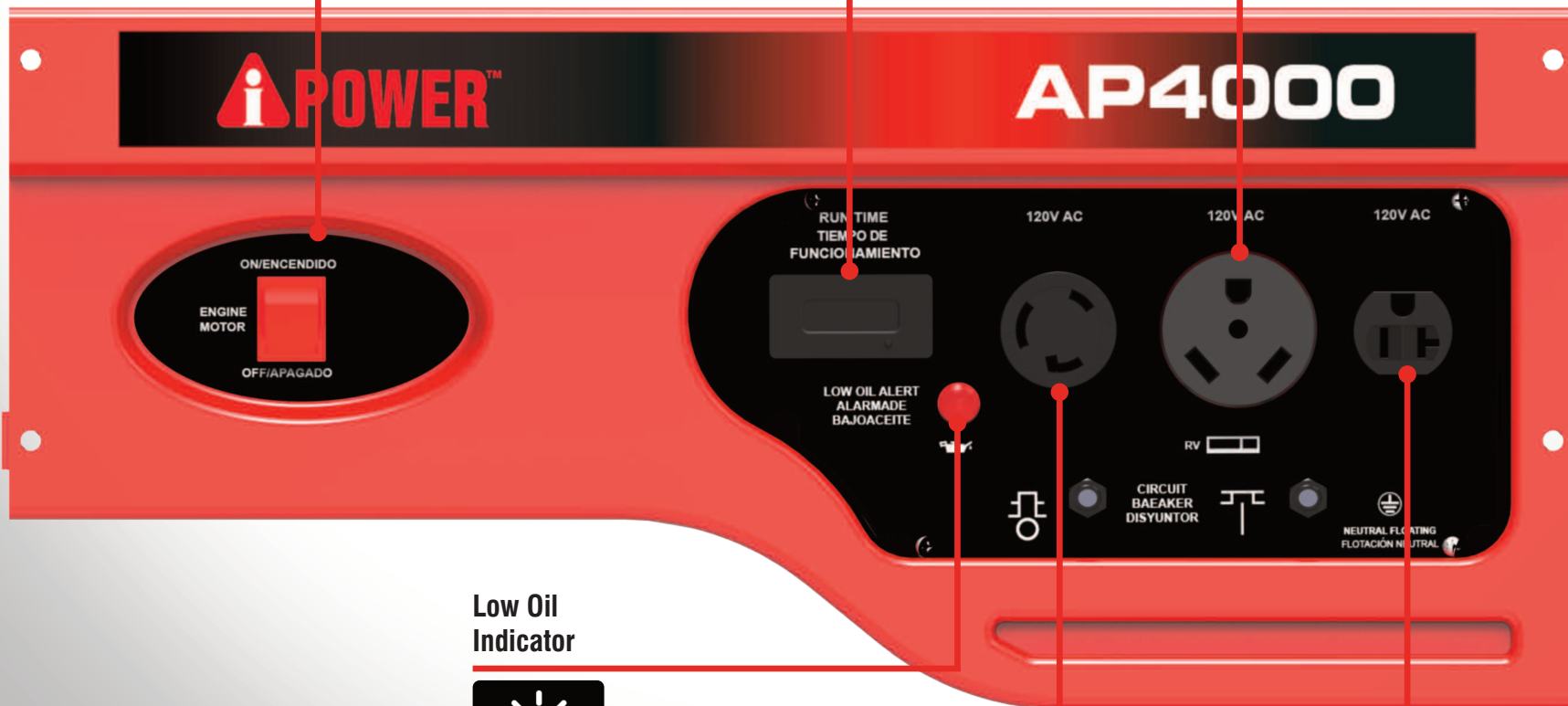
Engine Switch



Hour Meter



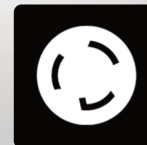
TT-30R  
30A, 120V



Low Oil Indicator



L5-30R  
30A, 120V



5-20R  
20A, 120V

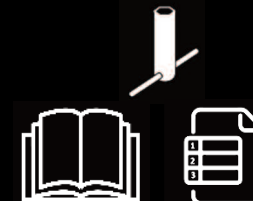


# AP4000

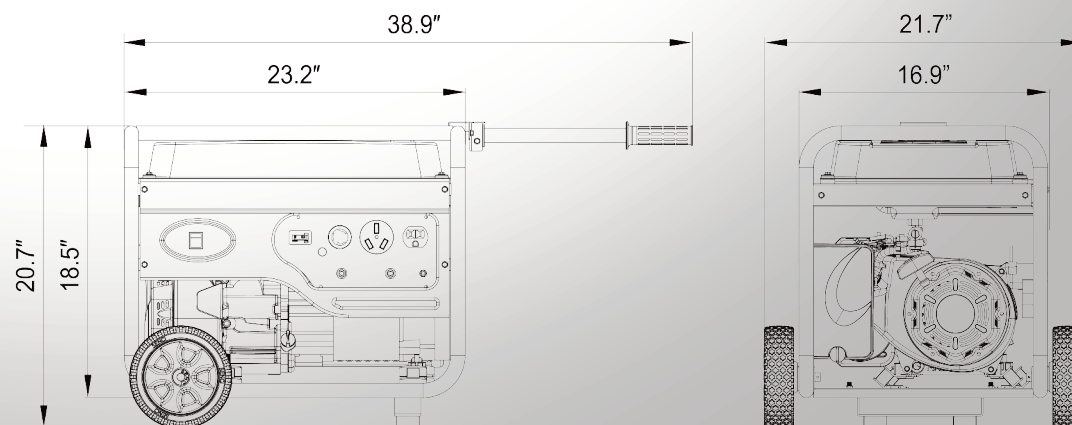
Model Number	AP4000
Starting/Running Watts	4000/3000W
Certifications	EPA - CARB
AC Voltage	120V
Rated Speed/Frequency	3600rpm/60Hz
Total Harmonic Distortion (THD)	Standard
Grounding System	Neutral Floating
Noise Level (dB)	68
Engine Type	Single Cylinder 223cc - 4 Stroke OHV
Starting System	Recoil Start
Low Oil Shtdown	Yes
Cast Iron Sleeve	Yes
Fuel Type	Gasoline
Oil Type and Capacity	10W-30 - 550ml
Alternator Type	Brushed with AVR
Tank	4.0 Gal
Runtime @25% Load	14.5 Hour
Handle	Single Folding
Wheel	Flat Free 7.0"
AC Outlets	1x5-20R (20A,120V) - 1xL5-30R (30A,120V) - 1xTT-30R (30A, 120V)
Hour Meter	Yes
Included	Tool Kit, Manual, Quick start Guide
Warranty (Residential)	2 Year
Carton LxWxH	24.4x18.1x19.7 inch
Unit Weight	100.0 lbs
Shipping Weight	105.8 lbs
UPC	851217006022



## INCLUDED



Tool Kit, Manual,  
Quick Start Guide



[www.a-ipower.com](http://www.a-ipower.com)  
10887 Commerce Way, Unit A  
Fontana CA 92337- 8240

Phone: 855-888-3598  
Fax: 909-930-3719  
[support@a-ipower.com](mailto:support@a-ipower.com)  
Mon-Fri 8:00 AM to 4:30 PM PST

LEARN MORE HERE

