

You are backed by the ARES Tool Performance Assurance!

ARES TOOL warrants this product to be free from defects in materials and workmanship under normal use and service. A defective product may be returned for a free replacement within 90 days from the date of purchase, provide that product is returned immediately after discovery of defect. This warranty shall be valid only when proof of purchase (receipt) showing the date of purchase accompanies the defective product.

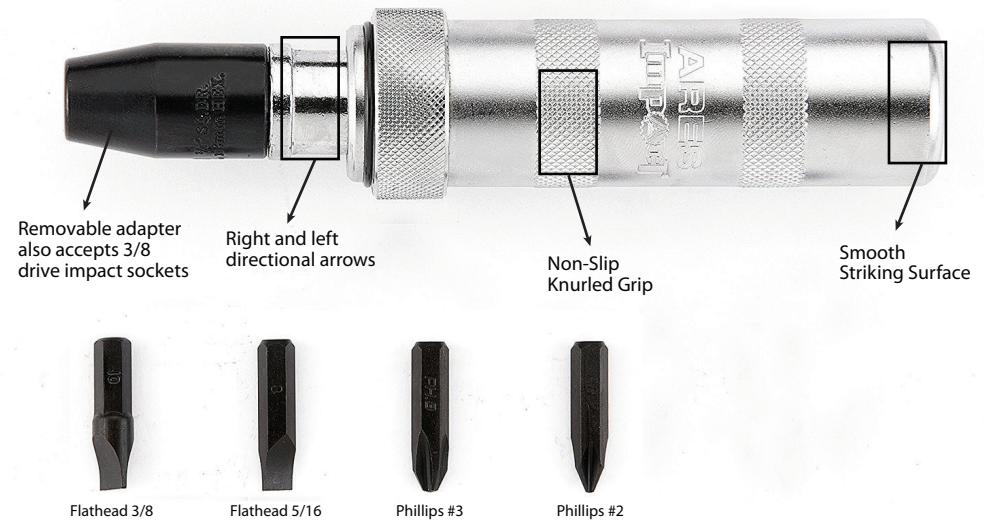
Exclusions:

These warranties exclude blades, bits, punches, dies, bulbs, fuses, batteries, and other consumables which must be replaced under normal use and service. These warranties shall not apply to any product or part which is used for a purpose for which it is not designed, or which has been repaired or altered in any way so as to affect adversely its performance or reliability, nor shall these warranties apply to any product or part which is subject to misuse, neglect, accident, or wear/tear incident to normal use and service

ARES

3/8" DRIVE MANUAL REVERSIBLE IMPACT DRIVER OPERATOR'S MANUAL

STORE THIS MANUAL IN A SAFE
PLACE FOR FUTURE REFERENCE



NEED HELP?

(800) 340-1442

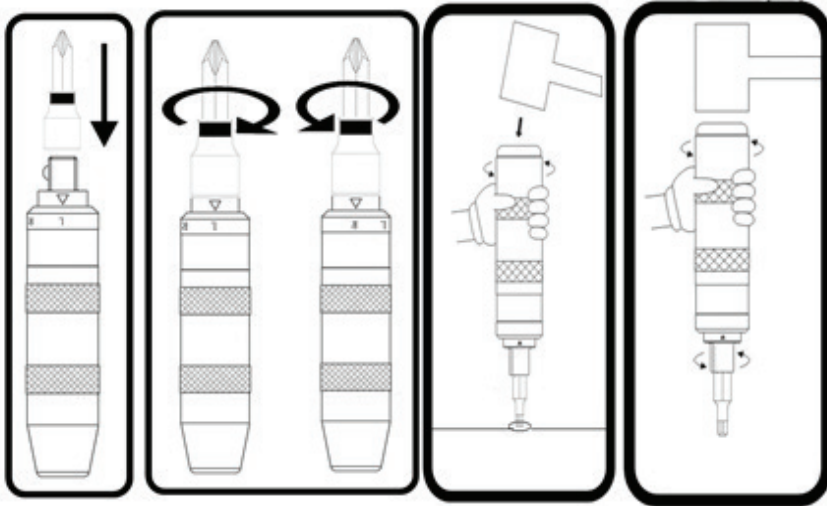
www.arestool.com

customerservice@arestool.com

Don't forget to register your product

SUPPLIES NEEDED

1. Hammer
2. Gloves
3. Eye Protection
4. Manual Impact Driver and Provided Bits (1/2 drive Impact Sockets not provided)



OPERATION

1. Choose the correct bit or 3/8 drive socket for the job.
2. Insert the bit or place the socket over the nut, bolt or screw that you intend to loosen.
3. Ensure that you have a very firm grip on the tool and strike the smooth end of the Impact Driver.
4. While applying pressure and using the engraved arrows as a guide, keep turning the Impact Driver in the direction that you want the screw or bolt turned.
5. Continue to strike and turn the driver until the nut, screw or bolt is loosened or fastened.
6. Tighten a nut, bolt or screw in the same manner, and by applying a turning force in the opposite direction.

NOTES

1. Always make sure to remove dirt from the screw slot in order to prevent damage to the screw head.
2. In order to loosen the screw or bolt, the direction should be clockwise, otherwise counter clockwise.
3. The tip of the tool is removable which exposes a 3/8 drive adapter for use with all 3/8 drive impact sockets.

MAINTENANCE

1. Remove dust, moisture and other contaminants with a clean brush, or soft, lint free cloth.
2. Do not use any abrasive materials that could damage the tool.
3. When tool is not in use, store the tool in the provided case, in a clean dry area.