

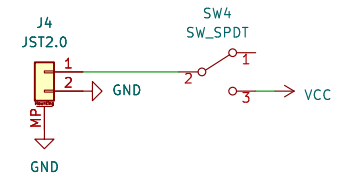
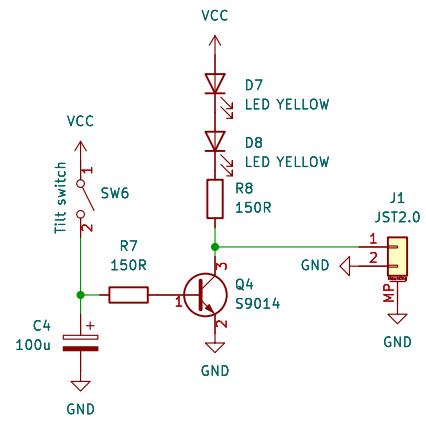
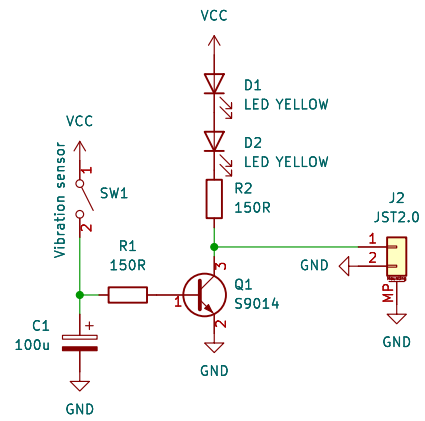


-  FID1  
Fiducial-fixed mask
-  FID2  
Fiducial-fixed mask



Sheet: /		
File: VIBRATION SENSOR.kicad_sch		
<b>Title:</b>		
Size: A4	Date:	Rev:
KiCad E.D.A. eeschema (7.0.0)		Id: 1/1